



KITCHEN FAUCETS

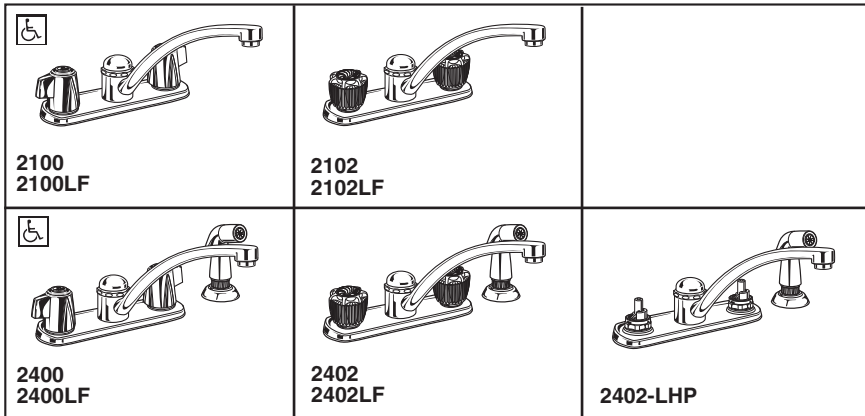
- Classic Series
- Two Handle Deck Mount
- 3 and 4 Hole Sink Applications

STANDARD SPECIFICATIONS:

- Solid brass fabricated body.
- 8" (203 mm) centers.
- 9" (229 mm) long spout swings 360°.
- Hot and cold stems are interchangeable.
- Control mechanism shall be of the rotating cylinder type with stainless steel plate and 180° rotation, with replaceable non-metallic seats operating in stainless steel lined sockets.
- 1/2"-14 NPSM threaded male inlet shanks.
- Models 2400, 2402 and 2402-LHP Series with spray attachment have anti-siphon device as integral part of valve body.
- Quick Snap® vegetable sprayer hose installation on models 2400 and 2402-LHP series.
- Max. 1.80 gpm @ 60 psi, 6.8 L/min @ 414 kPa

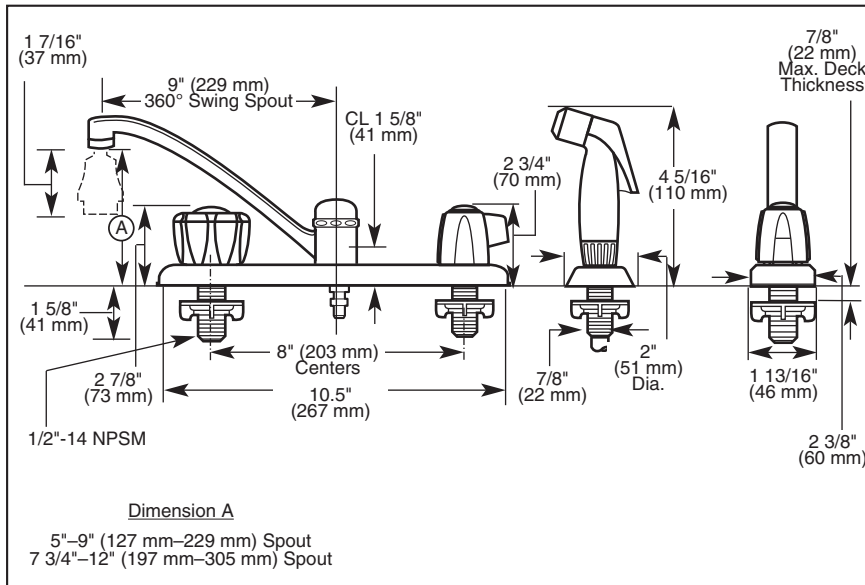
WARRANTY

- Lifetime limited warranty on parts (other than electronic parts and batteries) and finishes: or, for commercial users, for 5 years from date of purchase.
- 5 year limited warranty on electronic parts (other than batteries); or, for commercial users, for 1 year from the date of purchase. No warranty is provided on batteries.

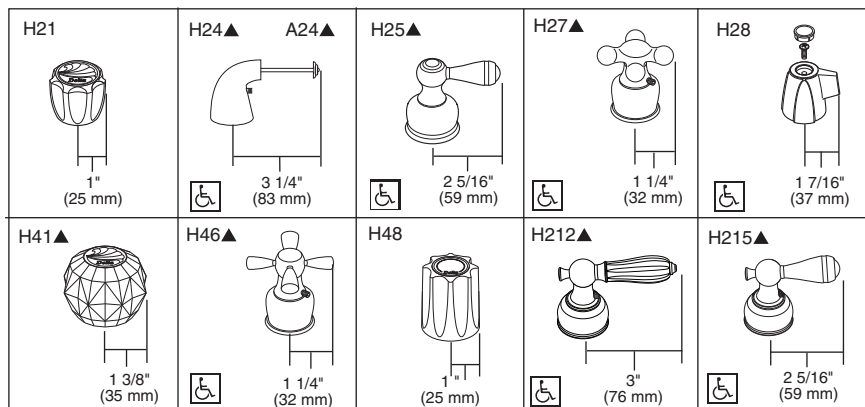


Submitted Model No.: _____

Specific Features: _____



Available LHP Handle Options ▲ Designate Proper Finish Suffix



Available LHP Handle Accent Options



COMPLIES WITH:

- ASME A112.18.1 / CSA B125.1
- Indicates compliance to ICC/ANSI A117.1
- Verified compliant with .25% weighted average Pb content regulations.

Delta reserves the right (1) to make changes in specifications and materials, and (2) to change or discontinue models, both without notice or obligation. Dimensions are for reference only. See current full-line price book or www.deltafaucet.com for finish options and product availability.

