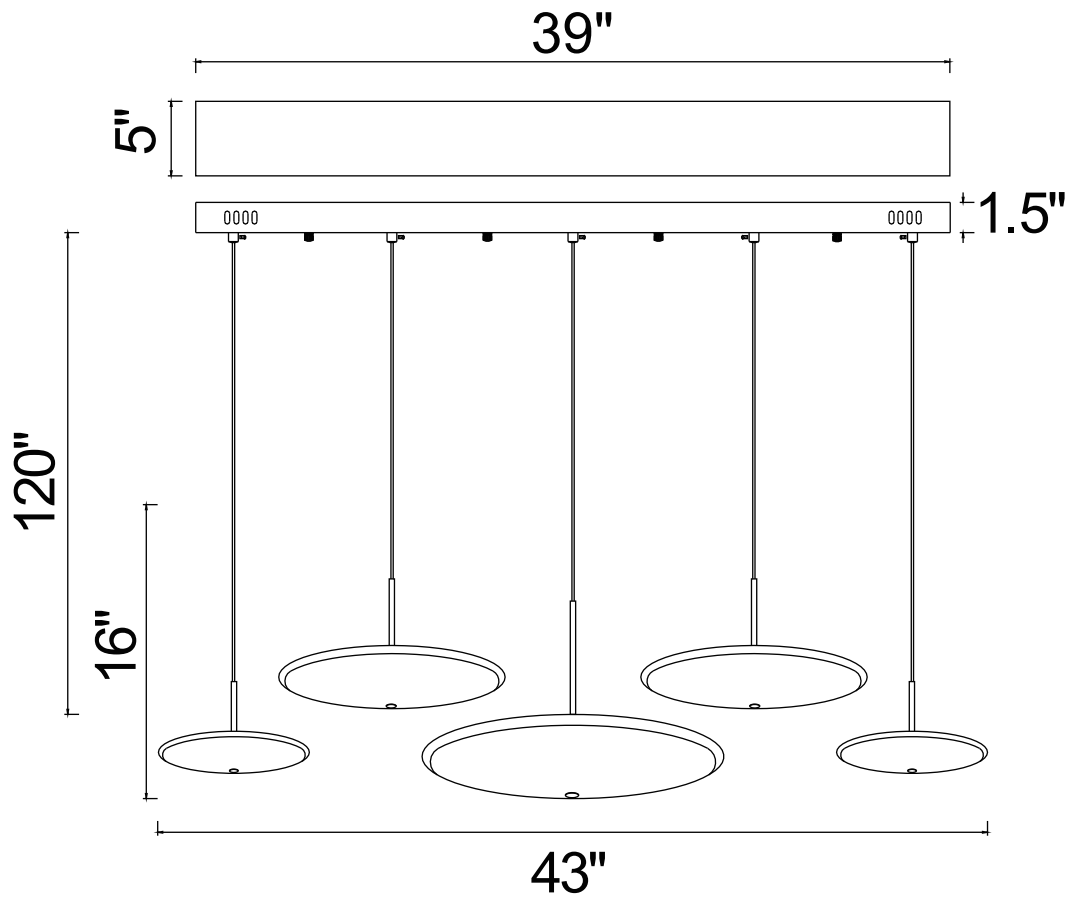




PROJECT: _____
 FIXTURE TYPE: _____
 LOCATION: _____
 CONTACT/PHONE: _____



| | |
|------------|-----------------|
| Item | 1204P43-5-625-A |
| Collection | OVNI |
| Finish | Brass |
| Acrylic | Acrylic |
| Crystal | ----- |
| Input | 120V AC,60HZ,AC |

| | |
|-------------|-------|
| Shade | ----- |
| Length/Dia. | 43" |
| Width/Ext. | 5" |
| Height | 16" |
| Maximum | ----- |
| Lumens | 1664 |

| | |
|--------------|-------|
| Light Source | LED |
| Bulb Info. | 32W |
| Included | ----- |
| Dimmable | Yes |
| Color | 3000K |
| Weight | |

