

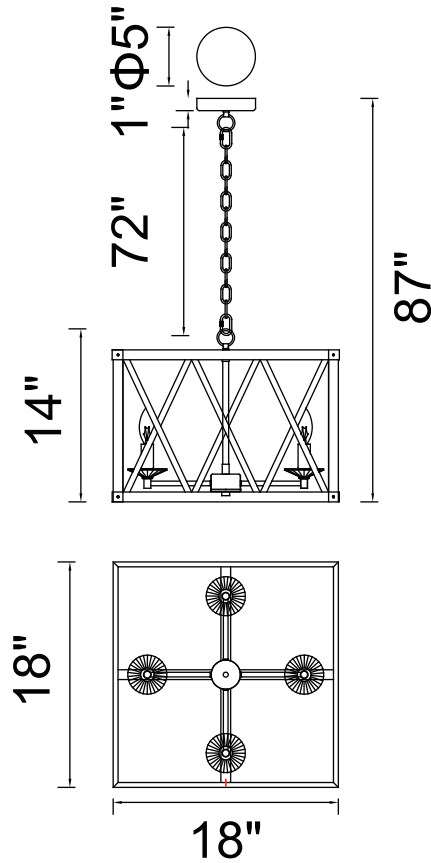


PROJECT: _____

FIXTURE TYPE: _____

LOCATION: _____

CONTACT/PHONE: _____



Item	1033P18-4-230
Collection	MARINI
Finish	Wood Grain Brown
Glass	-----
Crystal	Clear
Input	120V AC,60HZ,AC

Shade	-----
Length/Dia.	18"
Width/Ext.	18"
Height	14"
Maximum	87"
Lumens	-----

Light Source	E12
Bulb Info.	4x60W
Included	-----
Dimmable	Yes
Color	-----
Weight	6.8KG