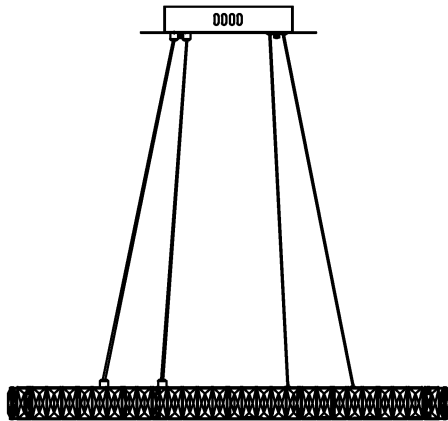


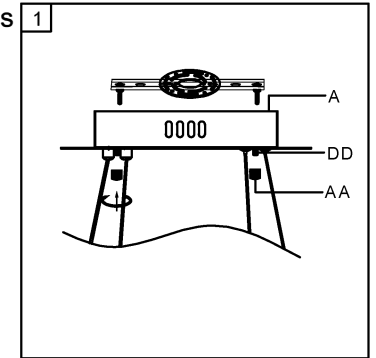
Trade Mark:
CRYSTAL WORLD INC

Product Name: Pendant lamp
Model :5616P27ST-R
120Vac, 60Hz,AC ONLY
Lamp Size:Ø27"XH118"



PENDANT LAMP ASSEMBLY INSTRUCTIONS

1. Place fixture (A) onto mounting screws (DD). secure with cap nuts (AA).



Hardware Used

AA Cap nut  X 2
DD Mounting screw  X 2

2. lighting bulbs (not included).

**120V LED  40W
DIMMABLE (4000K)**

