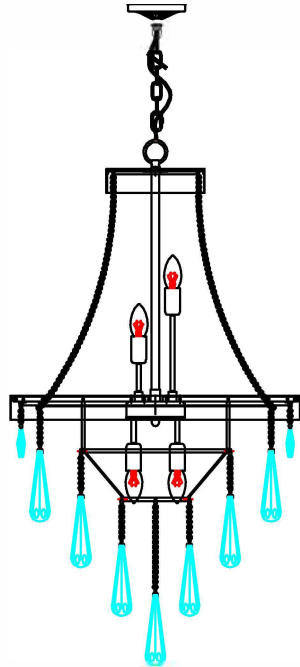



Trade Mark:
CRYSTAL WORLD INC

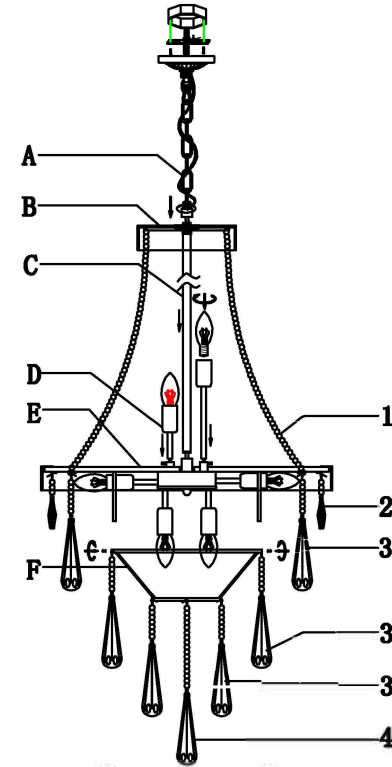
Product Name: Pendant lamp
Model :5078P24C
120Vac, 60Hz,AC ONLY
Lamp Size:φ24"X42"H



Page 1/4

PENDANT LAMP ASSEMBLY INSTRUCTIONS

- 1.Screw part(D) onto the lampbody(E) secure with screw.
- 2.Screw part (C) and (F) onto (E) secure with screw.
- 3.Please fix (A) with (B).
- 4.Please wear gloves when you hanging the crystal.
- 5.Install bulbs(NOT INCLUDED).USE 120V E12  13*40W Max.



1
10mm*62PCS
长1510
44PCS

2
10mm*3PCS
φ33mm*1PCS
35PCS

3
10mm*7PCS
146mm*1PCS
53PCS

4
10mm*17PCS
146mm*1PCS
1PCS



Page 2/4