

# Assembly Instruction Sheet #IS-1273P40 For Style 1273P40

**Tools Required:** Flathead screwdriver, Pliers screwdriver, pliers, wire cutters, wire strippers, electrical tape, safety glasses.

**Light Sources:** 120V LED MAX 25W

**Preparation:** Identify and inspect all parts before beginning installation. Check package content list and diagrams later in the case all parts are present. If any parts are missing or damaged, do not attempt to assemble, install, or operate the fixture. Contact customer service for replacement parts.

### ⚠ Warnings and Cautions

Turn off electricity at circuit breaker or main fuse box before installation. Consult a licensed electrician if in doubt. These instructions are provided for your safety. It is very important you read them completely before installing the fixture. We strongly recommend that a licensed, professional electrician perform the installation. Disconnect fixture from power source before replacing bulbs. Make sure bulbs are given sufficient time to cool before removal.

### Package Contents

- B Hex nut
- D1 4\*1/4pcs
- D2 6\*2pcs
- D3 12\*10pcs
- A Fixture Body x1
- C Ceiling Canopy X1
- D Bend x1

### STEP 1- Release Crossbar from Ceiling Canopy.

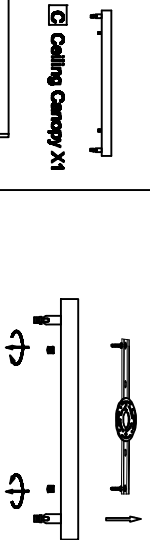


Figure 1

### Hardware Contents

PART	DESCRIPTION	QUANTITY
BB	Wire nut	2pcs
CC	Screw	2pcs



### STEP 2 - Install Rod to Fixture Body.

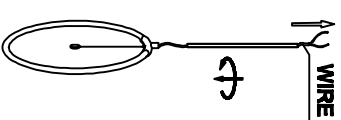


Figure 2

### STEP 3 - Install Middle Rod to bend.

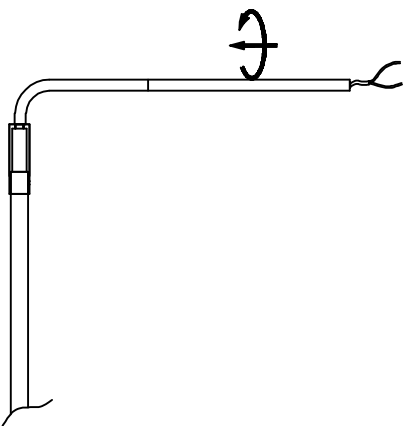


Figure 3

### STEP 5 - Wire Connections.

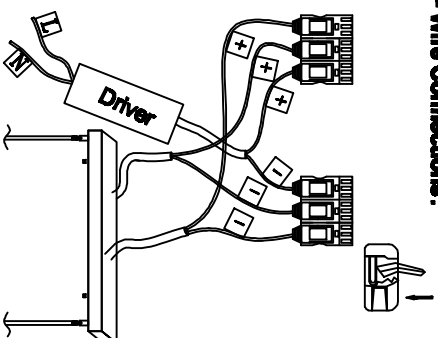


Figure 5

### STEP 4 - Install Lamp body to Ceiling Canopy.

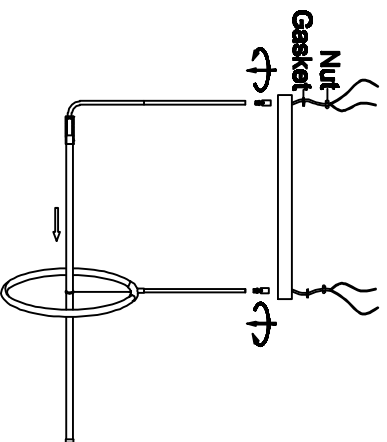


Figure 4

**STEP 7 - Attach Crossbar to Outlet Box**  
A. Push the supply wires through the mounting bracket (E2). Attach the mounting bracket (E2) to the Outlet Box with the head of the Green Ground Screw (safety you). Secure it with Outlet Box Screws. Tighten until snug.

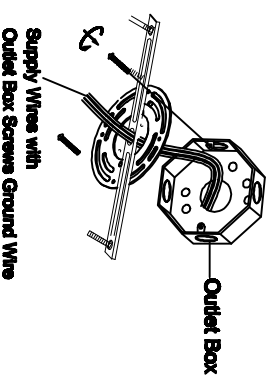


Figure 6