

# CRYSTORAMA

LIGHTING THE WAY FOR SIXTY YEARS

## ASSEMBLY INSTRUCTION MODEL #FOS-A8050-MK

### WARNING:

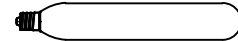


Electrical Danger



Turn Power Off

All electrical components must be installed by a licensed electrician in accordance with the National Electric Code and the appropriate local electrical codes.

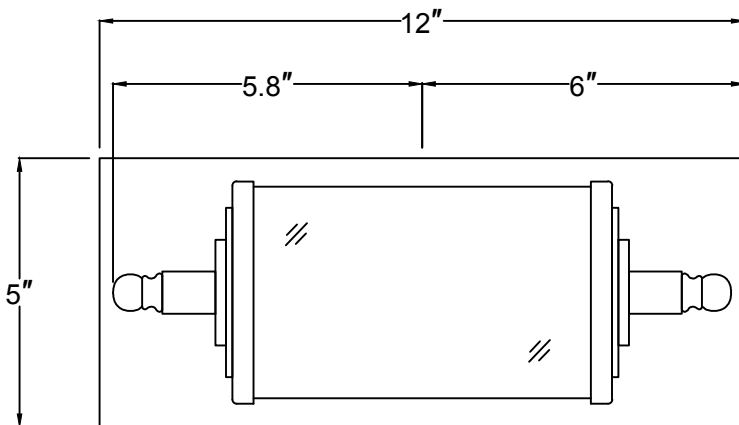


You will need 1-3W 300 Lumens  
2700k T10-LED Dimmable, E26 Medium Base  
Bulb Included  
USE LED BULBS FOR EXTENDED USE  
This fixture is Damp Rated

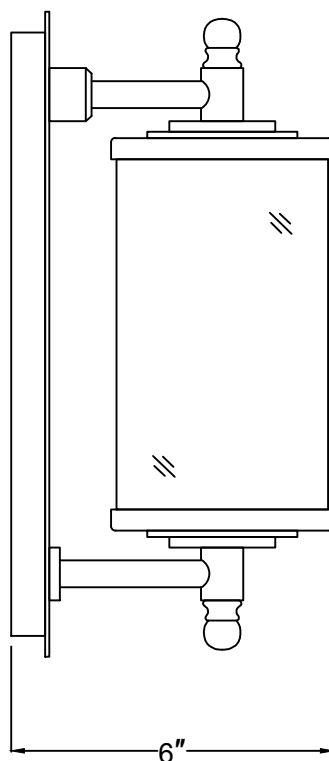
### How to Install

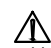
1. Locate the fixture arm that has the cylinder nut.
2. With the enclosed wrench, remove the set screw within the cylinder nut.
3. On the same arm, unscrew the top finial and slowly remove the arm, lid and glass shade.
4. Install the recommended bulb and follow steps 1-3 in reverse, to assemble the shade and arm.
5. This fixture can now be connected and mounted horizontally or vertically.

### Horizontally



### Vertically



 WARNING: This product can expose you to Lead, which is known to the State of California to cause cancer and/or birth defects or reproductive harm. For more information go to [www.P65Warnings.ca.gov](http://www.P65Warnings.ca.gov)

# CRYSTORAMA

LIGHTING THE WAY FOR SIXTY YEARS

PART NUMBER MODEL #FOS-A8050-MK

## Part Number

### Part Numbers

- A. Mounting Hardware
  - (1) Mounting Plate
  - (4) Outlet Box Screws
  - (4) Anchors
- B. (1) Backplate; 4.2"x11.2"x0.63"h;  
XMO8050MKBKP11.2IN
- C. (1) Set screw
- D. (1) Socket
- E. (1) Glass shade;  $\phi 3.9$ "x7"h;  
XMO8050GLA7IN
- F. (2) Lid;  
XMO8050MKMECOVER
- G. (2) Arm
- H. (2) Finial; XMO8050MKBANUT
- I. (1) Cylinder Nut

