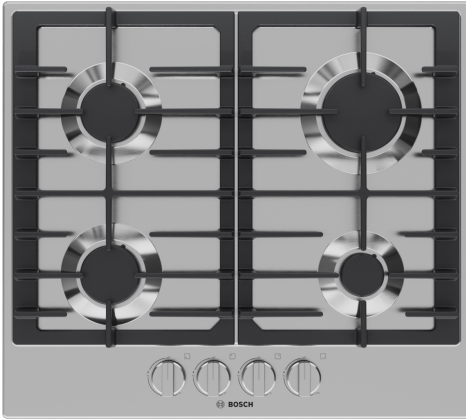


300 Series, Gas Cooktop, Stainless steel
NGM3450UC



- **FlameSafe Thermocouple Sensor:** shuts off the gas supply if flame is extinguished.
- **Easy-to-Clean:** a one-piece stainless steel design makes clean-up easy.
- **4 Burners:** 4 high-efficiency gas burners allow you to cook multiple dishes at once
- **Heavy-duty metal knobs for a premium look and feel.**
- **Low profile stainless steel cooking surface is easily accessible and quick to clean.**
- **Sealed burners prevent spills from entering the burner box**

UPC code: 825225969945
 Color: Stainless steel
 Energy source: Gas
 Gas type: Natural gas 15 mbar (USA)
 Alternative gas type: Liquid gas 27,5 mbar (USA)
 Fuse protection: 15 A
 Volts: 120 V
 Frequency: 60 Hz
 Power Cord Length: 40"
 Plug type: 120V-3 prong
 Required Cutout Size (HxWxD) (in): 5" x 22" x 19 1/4"
 Overall appliance dimensions (HxWxD) (in): 5" x 23" x 20 1/2"
 Product packaging dimensions (HxWxD): 5.55 x 22.75 x 25.98
 Net Weight: 27.000 lbs
 Gross weight: 29.000 lbs
 Total number of cooktop burners: 4



300 Series, Gas Cooktop, Stainless steel NGM3450UC

Performance

- 4 high-efficiency gas burners

Convenience

- Porcelain enamel on cast iron grates

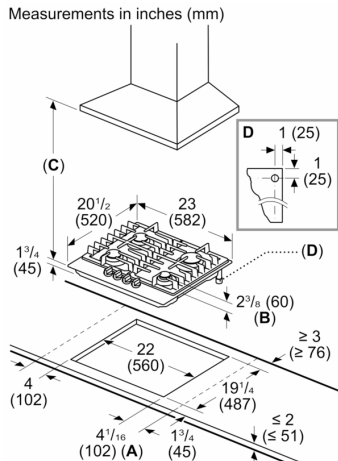
Design

- Heavy-duty stainless color metal knobs for a premium look and feel
- Perfect results are within reach with up-front centralized controls

Safety

- FlameSafe thermocouple sensing device will switch off the gas supply if flame temporarily extinguishes
- LP Conversion Kit Included for Conversion from Natural Gas to Liquid Propane

300 Series, Gas Cooktop, Stainless steel NGM3450UC



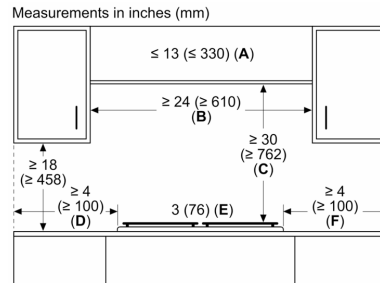
A: 5¹/₁₆" (129 mm) required when installed with a built-in oven

Refer to the "Bosch under cooktop built-in guide" for more details

B: Dimension from countertop to top of grates

C: When installed in combination with a hood, refer to hood manufacturer's requirements for installation

D: Gas connection



A: Cabinet depth (from back wall)

B: Centered over cooktop

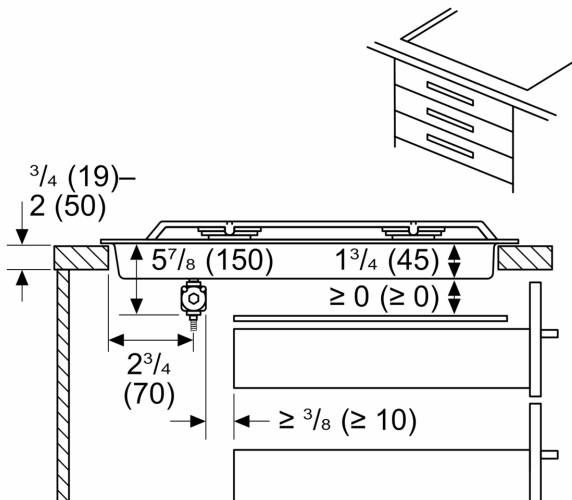
C: Above counter to combustible surface

D: Left side

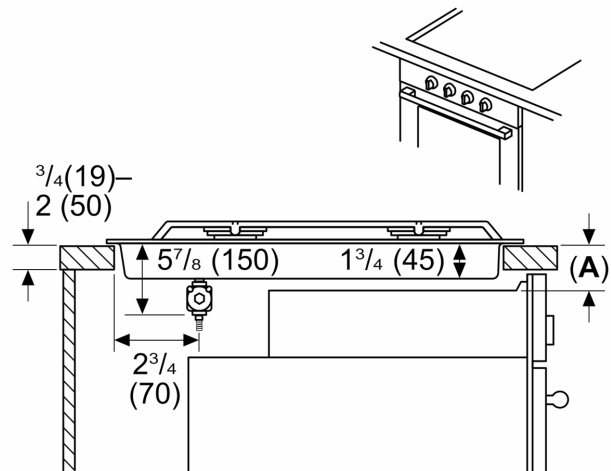
E: Rear wall

F: Right side

Measurements in inches (mm) Cooktop over drawer



Measurements in inches (mm) Cooktop over oven



A: Refer to approved combination matrix

Measurements in inches (mm)
Cooktop over door

