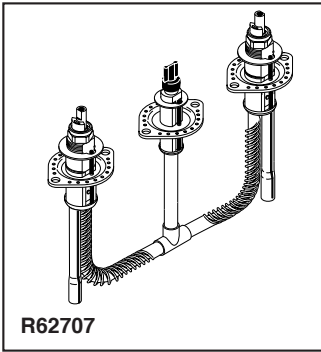


BRIZO®

ROUGH-IN KIT

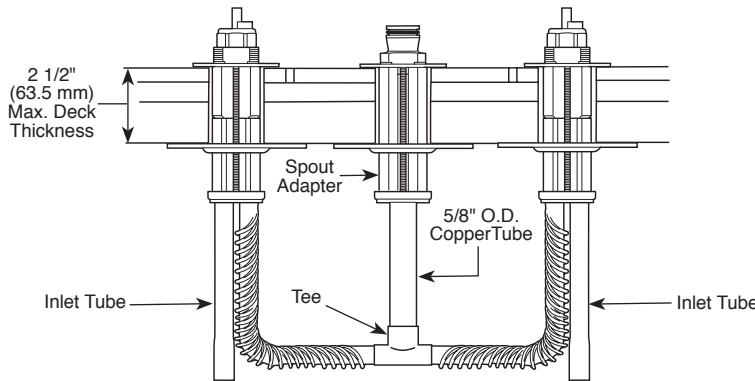
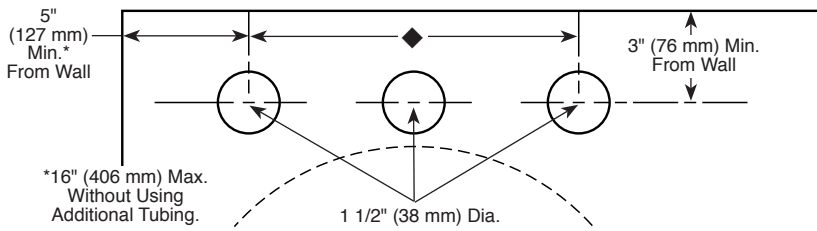


R62707

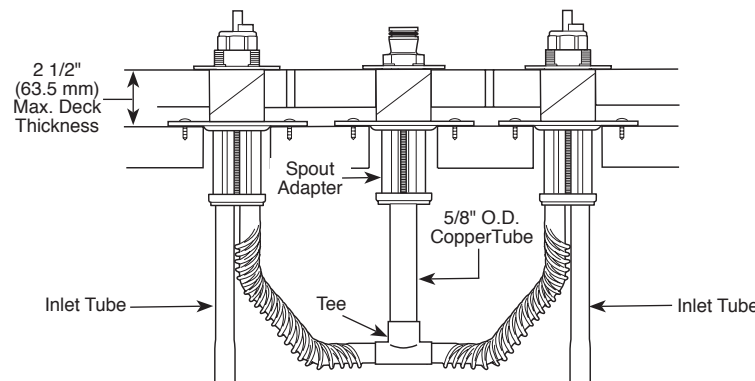
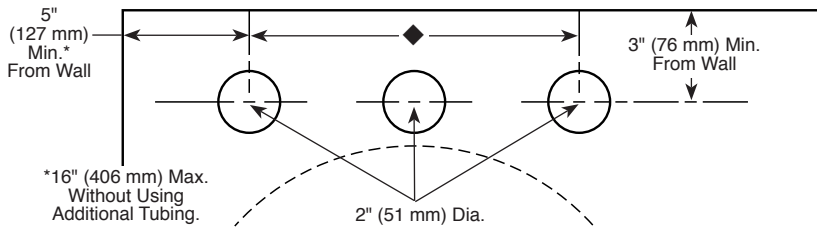
Submitted Model No.: _____

Specific Features: _____

Finished Deck (Standard) Installation



Finished Deck (Thick Tile) Installation



- R62707 (Case Qty. 3)
- Two Handle Roman Tub Rough-In Kit
- Flexible Deck or Ledge Mount
- Adjustable Rough-In for Thin or Thick Deck Installations
- Installed Before Mud and tile Applied in Thick Deck Situation
- Three Hole Installation
- 16" (406 mm) Maximum Widespread (without using additional tubing)
- Temperature and Volume Controlled with Handles
- Trim Kit Must Also be Ordered to Complete Installation

STANDARD SPECIFICATIONS

- Washerless ceramic valves.
- Three hole installation.
- 5/8" O.D. copper supply inlet tubes.
- 5/8" O.D. corrugated copper supply outlet tubes.
- Widespread 16" (406 mm) maximum centers without using additional tubing.
- Flexible deck or ledge mount installation.
- Solid fabricated brass end valves and spout body.
- Control mechanism shall be of the rotating cylinder type with ceramic plate and 180° rotation, with replaceable ceramic seats operating in stainless steel lined sockets.
- Hot and cold stems are interchangeable.
- Temperature and volume controlled with handles.
- All operating parts shall be replaceable from the top.
- ◆ **NOTE: Trim kit must also be ordered to complete installation. Refer to separate trim kit specifications to determine the best rough-in kit and handle spacing for your situation. Spacing could be 8" - 16" (203 mm - 406 mm).**

WARRANTY

- Lifetime limited warranty on parts (other than electronic parts and batteries) and finishes: or, for commercial users, for 5 years from date of purchase.
- 5 year limited warranty on electronic parts (other than batteries); or, for commercial users, for 1 year from the date of purchase. No warranty is provided on batteries.

COMPLIES WITH:

- ASME A112.18.1 / CSA B125.1

Brizo Kitchen & Bath Company reserves the right (1) to make changes in specifications and materials, and (2) to change or discontinue models, both without notice or obligation. Dimensions are for reference only. See current full-line price book or www.brizo.com for finish options and product availability.

BSP-B-R62707 Rev. D

Brizo Kitchen & Bath Company
 Indianapolis, Indiana 46280
 A Division of Masco Corporation of Indiana
 © 2015 Brizo Kitchen & Bath Company