

INSTALLATION AND OPERATION MANUAL



MODEL 2742

MODEL 2748

MODEL 2806

MODEL 2903

MODEL 2932

MODEL 2934

MODEL 2938

MODEL 2940

MODEL 3571

MODEL 3572

MODEL 3573

MODEL 3574

MODEL 3575

MODEL 3581

BATHTUBS, WHIRLPOOLS, AIR BATHS AND COMBINATION TUBS WITH OPTIONAL CHROMATHERAPY

THANK YOU...

for selecting an American Standard bath. Your new bath is shipped to you after careful inspection. The whirlpool and air bath versions are completely assembled with pump/blower and system piping. All you need to finish the installation are your selected fittings and electrical connections.

To ensure maximum performance and pleasure from this product, please follow the instructions and cautions.







For questions or service issues, please call Technical Support 1-(800)-442-1902.
Please do not contact or return product to the store.

TABLE OF CONTENTS:

Safety Instructions Notice.....	Page 3
Installation, Framing and Post Installation Clean-Up Instructions.....	Page 4
Roughing-in References for Recess Type Installations.....	Page 5
Roughing-in References for Pier Type Installations.....	Page 6
Under Deck Mounting Instructions.....	Page 6
Roughing-in References for All Model Series.....	Page 7
Electrical Installation Instructions.....	Page 18
Whirlpool Heater Operation.....	Page 23
Remote Air Blower Location Option.....	Page 24
Operation: Single Speed Whirlpool.....	Page 26
Operation: EcoSilent Whirlpool with Lights.....	Page 27
Operation: Air Bath.....	Page 28
Operation: Air Bath with Lights.....	Page 29
Operation: Combination Tub with Lights.....	Page 31
Cleaning and Maintenance.....	Page 33
Warranty.....	Page 34

IMPORTANT SAFETY INSTRUCTIONS

READ AND FOLLOW ALL INSTRUCTIONS!

-  **WARNING: Risk of personal injury.** Do not permit children to use this bathtub without adult supervision. Never drop or insert any object into any opening. Do not operate this unit without the guard over the suction fitting.
-  **WARNING: Risk of electric shock.** Do not permit electrical appliances near any bathtub when bathtub contains water.
-  **WARNING: Risk of hyperthermia and possible drowning.** People using medications and/or having adverse medical history should consult a physician before using this product.
-  **WARNING: Risk of personal injury.** Do not overfill bathtub before entering. Entering tub when filled more than 2/3 can cause overflow and slippery conditions. Exercise caution when entering and exiting.
-  **WARNING: No Food or Alcoholic Beverages.** Use of your bathtub immediately after meals is not recommended. Avoid alcohol consumption before or during bathing. Alcoholic beverages can cause drowsiness or hyperthermia resulting in loss of consciousness or even drowning.
-  **WARNING: Pregnancy.** If you are or think you may be pregnant, consult your physician before using the bathtub.

Use this unit only for its intended use as described in this manual.
Do not use any attachments not recommended by American Standard.

The unit must be connected only to a supply circuit that is properly protected by a ground-fault circuit-interrupter (GFCI). Such a GFCI should be provided by the installer and should be tested on a routine basis. To test the GFCI, push the test button. The GFCI should interrupt power. Push the reset button. Power should be restored. If the GFCI fails to operate in this manner, the GFCI is defective. If the GFCI interrupts power to the bathtub without the test button being pushed, a ground current is flowing, indicating the possibility of an electric shock. Do not use this air bath. Disconnect the air bath and have the problem corrected by a licensed electrician before using.

SAVE THESE INSTRUCTIONS

Installation and Framing Instructions

Each bath arrives ready for installation, completely equipped with the pump/blower electronics and plumbing necessary for operation. However, a drain/overflow kit is required for each bath and it is not included.

The variety of installations for this bath may require framing procedures other than those shown. Locate studs as required. Ensure roughing-in dimensions are proper, plumb, and square.

- ⚠ Remove the bath from the carton. Retain the shipping carton until satisfactory inspection of the product has been made. Do not lift the bath by the plumbing at any time; handle by the shell only.
- ⚠ All bath units are factory tested for proper operation and watertight connections prior to shipping. Prior to installation, the bath must be filled with water and operated to check for leaks that may have resulted from shipping damage or mishandling.
- ⚠ The sumps of these baths are supported by feet and no additional sump support is required. Once the bath is in place, the feet should be shimmed and secured accordingly so that the rim of the bath contacts the stringer or pier but supports no weight.
- ⚠ Provisions must be made in all installations for an access opening for servicing the bath pump/blower. Unless an access opening of at least 12" x 24" (305mm x 610mm) is provided, warranty service will not be performed. It is strongly recommended that an additional opening be provided for access to drain components.
- ⚠ Each bath has a nominal length (L), width (W), and Height (H) along with a rim height. Unless otherwise noted in the following rough-in references, assume that the nominal tolerances are as much as +/-1/4 inch (6mm). Therefore, it is strongly recommended that the installer build the surrounding structure after receiving the actual bath. Structural measurements should be verified against the actual bath received to ensure proper fit.

POST INSTALLATION CLEAN-UP

Remove all construction debris from bath. Tile grout can be removed with a wooden popsicle stick or tongue depressor.

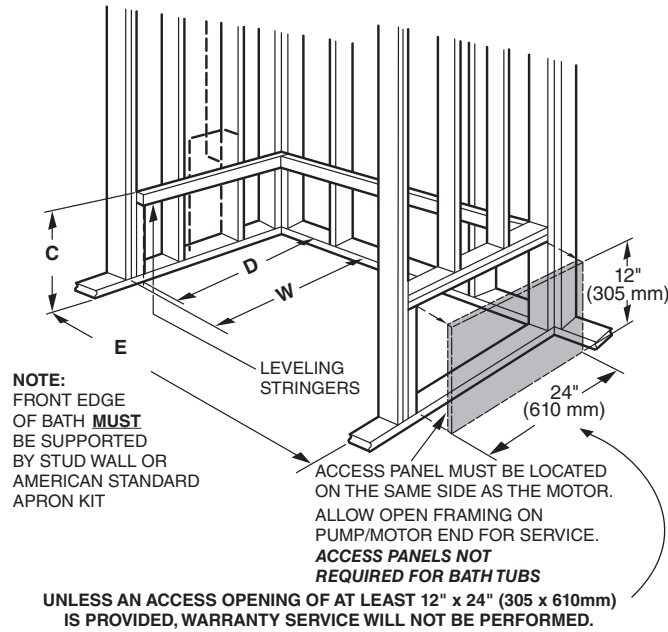
Do not use wire brushes or any other metal implement on bath surface.

Post installation clean-up generally can be completed using warm water and liquid dishwashing detergent.

Stubborn dirt or stains may be removed using granular Spic and Span[®] mixed with water.

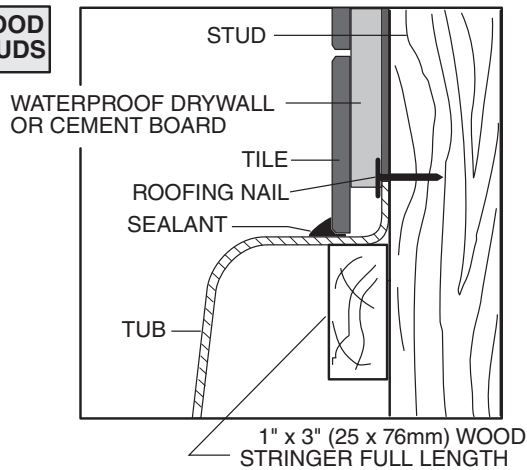
Painter's naphtha can be used to remove excess adhesives and/or wet oil-base paint.

ROUGH-IN REFERENCES FOR RECESS TYPE INSTALLATIONS

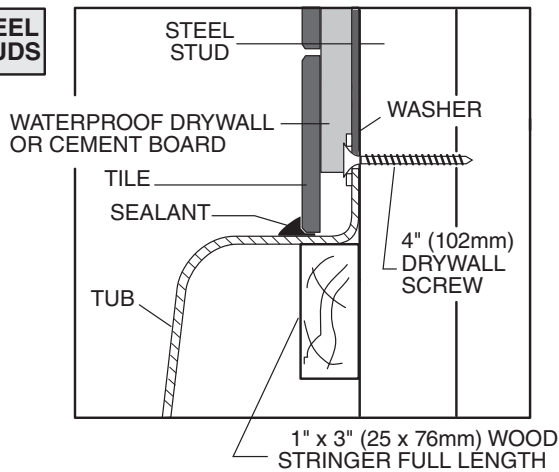


TYPICAL TILE FLANGE INSTALLATION

WOOD STUDS

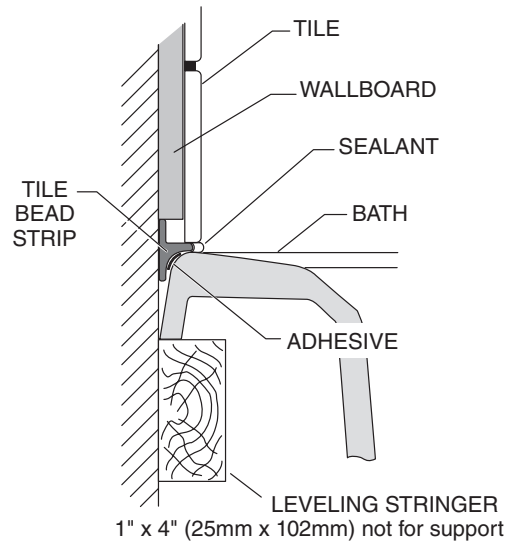


STEEL STUDS



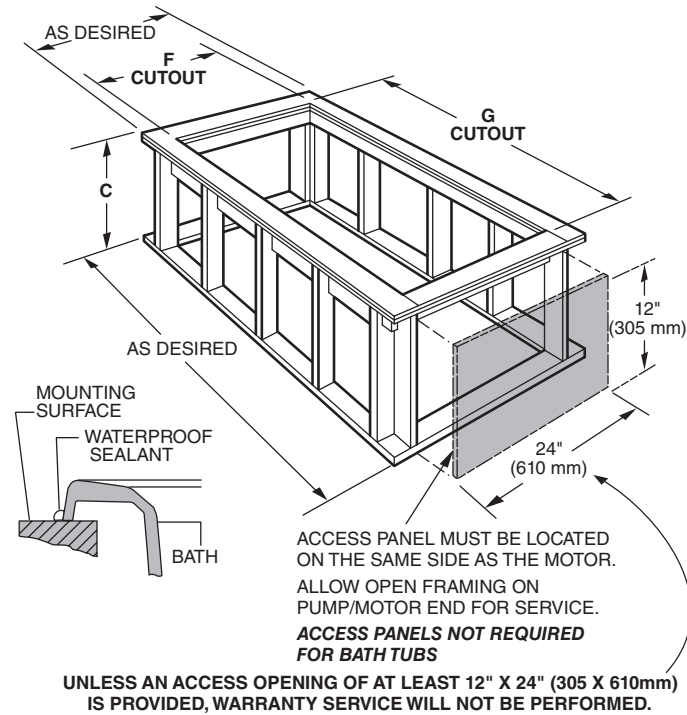
SECURE THE BATH TO THE STUDS AS SHOWN FOR WOOD OR STEEL STUD CONSTRUCTION.

TYPICAL TILE BEAD INSTALLATION



NOTE: Tile bead kit not included and must be purchased separately.

ROUGH-IN REFERENCES FOR PIER TYPE INSTALLATIONS

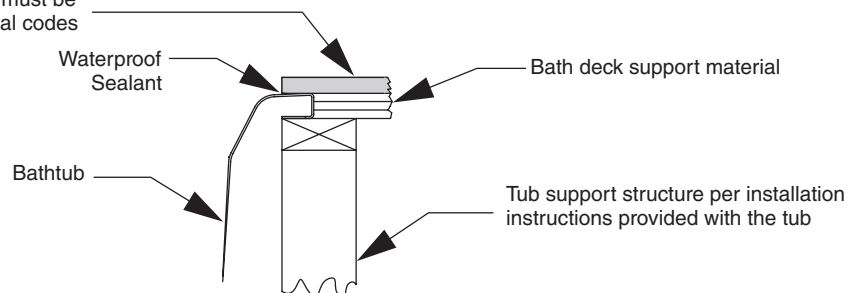


UNDER DECK MOUNTING INSTRUCTIONS

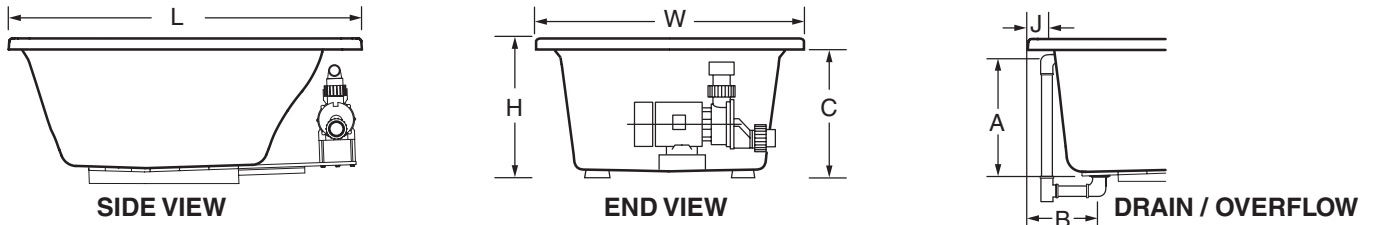
Please note that care must be taken to protect the surface of the tub during all aspects of the installation. Do not drill or cut the bath deck with the tub directly beneath it as damage to the tub may result.

1. Install the tub per the installation instructions provided with the unit.
2. Prepare the bath deck support structure per the local codes. Note - the bath deck must be self supporting.
3. Cut bath deck to your specifications.
4. Place the bath deck in position and trace the opening on the tub with a soft pencil. Do not drill or cut the bath deck with the tub directly beneath it as damage to the tub may result.
5. Remove the bath deck and apply a generous bead of waterproof sealant on the outer edge of the traced line.
6. Replace the bath deck and secure it into place.
7. Apply additional sealant along the tub and bath deck interface as necessary to ensure a watertight seal.
8. Remove excess sealant per the manufacturer's instructions.

Finished bath deck surface material must be self-supporting and secured per local codes



SPECIFICATIONS:

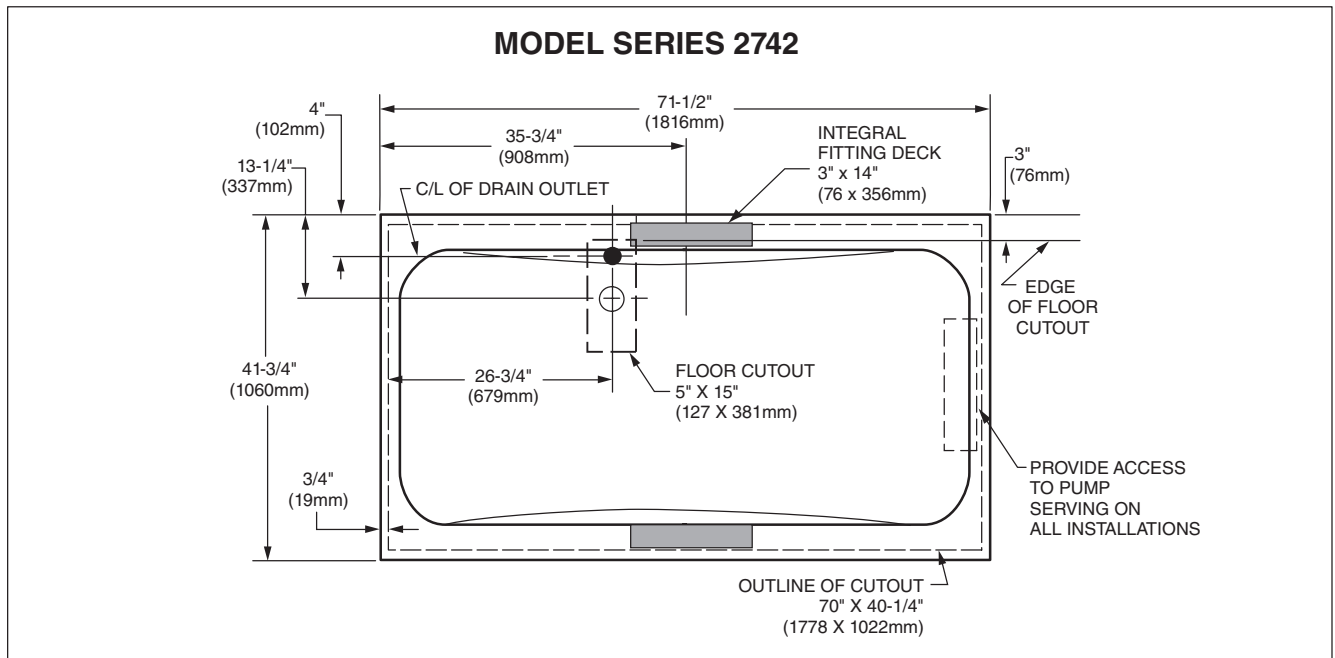


GENERAL SPECIFICATIONS FOR WHIRLPOOLS AND BATH TUBS

Description	Dimensions L-W-H	Drain / Overflow	Height to Underside of Deck Edge: C	Cut Out Pier G x F	Rough-In Recess E x D	Tab Edge to Centerline Overflow: J	Weight with Water / Floor Loading	Product Weight	Gallon to Overflow	Whirlpool Operating Volume
2742 Town Square 6' x 42"	L 71-1/2" (1816mm) W 41-3/4" (1060mm) H 22" (559mm)	A 16-1/4" (413mm) B 13-1/4" (337mm)	C 20" (508mm)	70" (1778mm) x 40-1/4" (1022mm)	71-11/16" (1821mm) x 40-1/4" (1022mm)	4" (102mm)	690 lb. (313 kg)/ 33 lb./sq.ft. (161 kg/sq.m)	115 lb. (52 kg.)	69 gal. (261 l.)	60 gal. (227 l.)
2748 Town Square 5' x 42"	L 59-1/2" (1511mm) W 41-5/8" (1057mm) H 23" (584mm)	A 14-1/2" (368mm) B 14-1/2" (368mm)	C 21" (533mm)	58" (1473mm) x 40-1/8" (1019mm)	59-11/16" (1517mm) x 40-1/8" (1019mm)	5-1/4" (133mm)	611 lb. (277 kg)/ 40 lb./sq.ft. (196 kg/sq.m)	110 lb. (50 kg.)	60 gal. (227 l.)	55 gal. (208 l.)
2806 Heritage Oval 6' x 36"	L 72" (1829mm) W 35-3/4" (908mm) H 21-1/2" (546mm)	A 17" (432mm) B 11" (279mm)	C 19-1/2" (495mm)	Template Provided	As Desired	5-1/2" (140mm)	744 lb. (338 kg)/ 41 lb./sq.ft. (200 kg/sq.m)	135 lb. (61 kg.)	73 gal. (276 l.)	44 gal. (166 l.)
2903 Savona Oval 5' x 42"	L 60" (1524mm) W 42-1/4" (1073mm) H 21-1/4" (540mm)	A 17" (432mm) B 9-1/2" (241mm)	C 19-1/4" (489mm)	Template Provided	As Desired	3" (76mm)	640 lb. (291 kg)/ 35 lb./sq.ft. (171 kg/sq.m)	107 lb. (49 kg.)	64 gal. (242 l.)	53 gal. (200 l.)

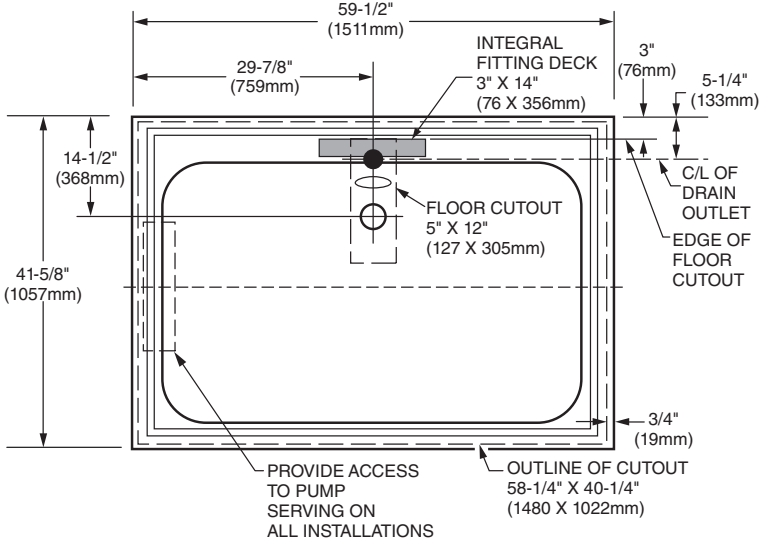
TABLE 1

ROUGH-IN REFERENCES

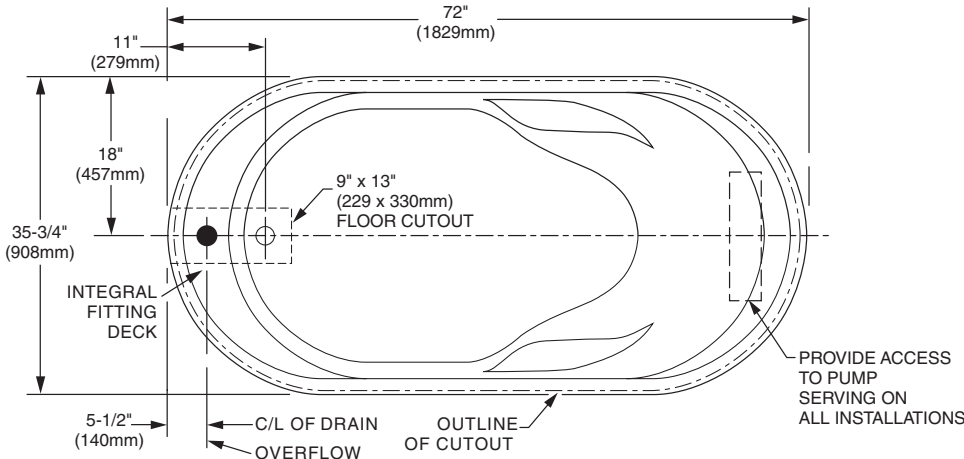


ROUGH-IN REFERENCES

MODEL SERIES 2748

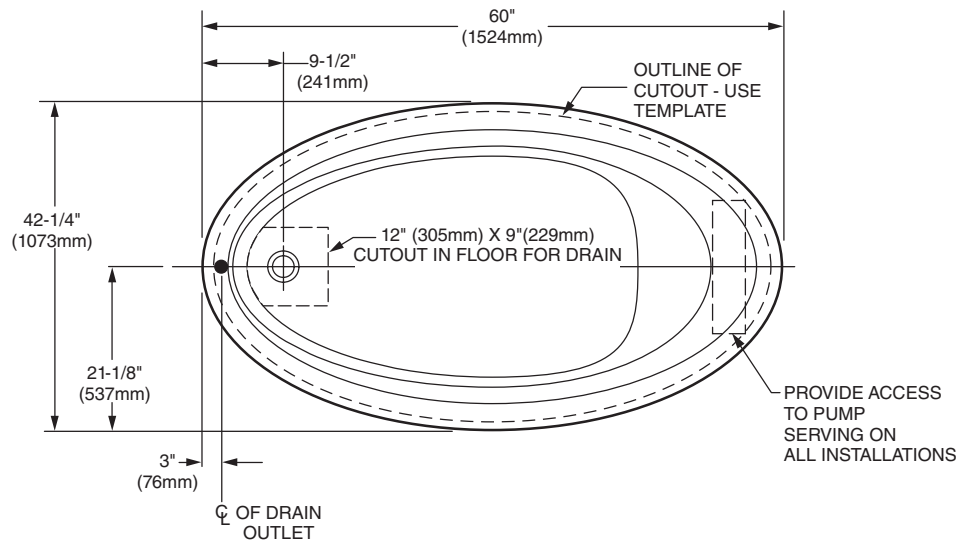


MODEL SERIES 2806

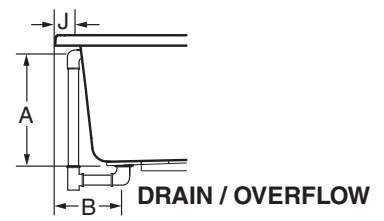
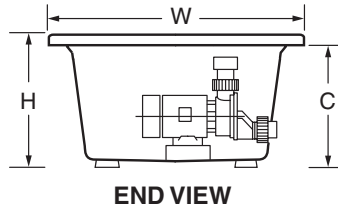
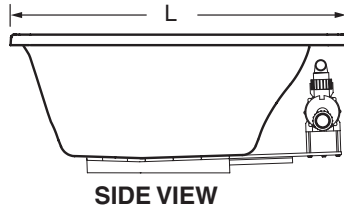


ROUGH-IN REFERENCES

MODEL SERIES 2903



SPECIFICATIONS:

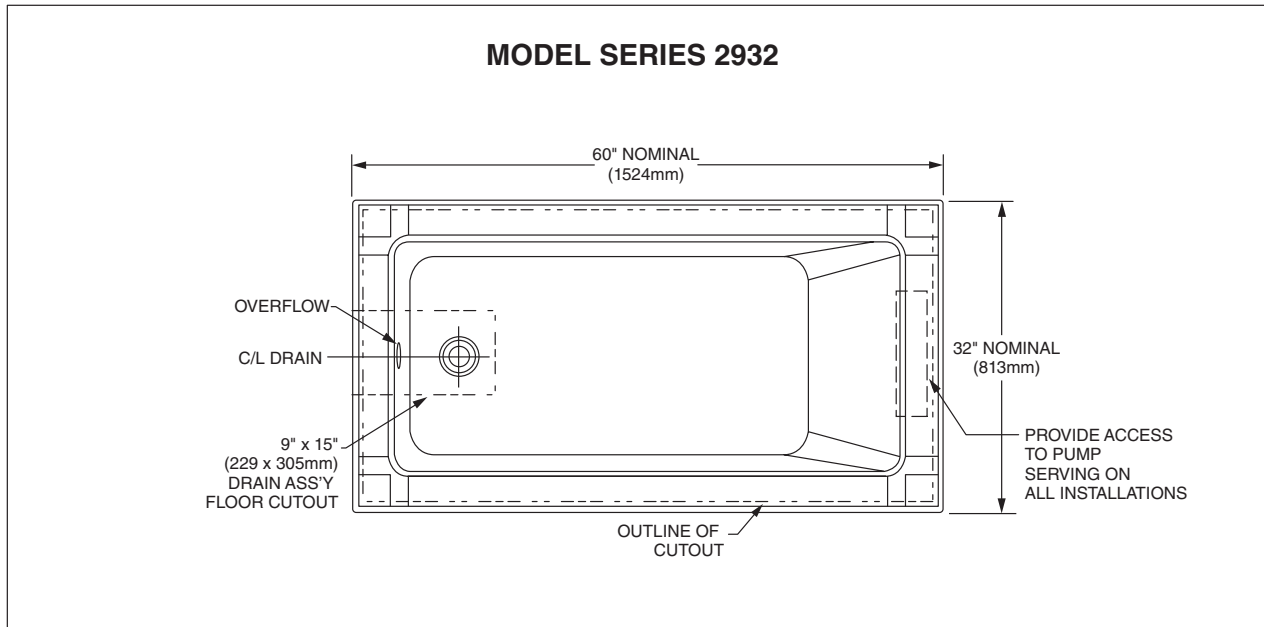


GENERAL SPECIFICATIONS FOR STUDIO 5' x 32" WHIRLPOOLS AND BATH TUBS

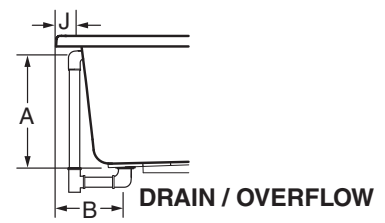
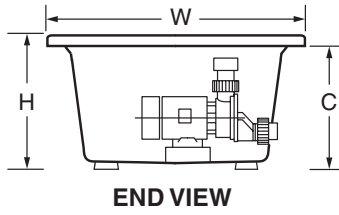
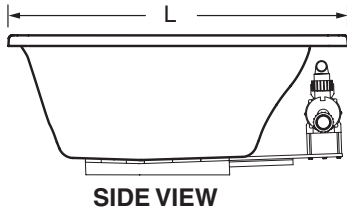
Description	Deck Trim Option	Dimensions L-W-H	Drain / Overflow	Height to Underside of Deck Edge: C	Cut Out Pier G x F	Rough-In Recess E x D	Tub Edge to Centerline Overflow: J	Weight with Water / Floor Loading	Product Weight	Gallon to Overflow	Whirlpool Operating Volume
2932 Studio 5' x 32"	Zero (5/8")	L 59-1/2" (1511mm) W 31-1/2" (800mm) H 22-1/2" (572mm)	A 17-3/4" (451mm) B 10-3/4" (273mm)	C 21-7/8" (556mm)	58" (1473mm) x 30" (762mm)	59-11/16" (1516mm) x 30" (762mm)	3-1/4" (83mm)	581 lb. (264 kg)/ 44 lb./sq.ft. (213 kg/sq.m)	90 lb. (198 kg.)	59 gal. (224 l.)	54 gal. (205 l.)
2932 Studio 5' x 32"	2"	L 59-3/4" (1518mm) W 31-3/4" (806mm) H 22-1/2" (572mm)	A 17-3/4" (451mm) B 10-7/8" (276mm)	C 20-1/2" (521mm)	58-1/4" (1480mm) x 30-1/4" (768mm)	59-15/16" (1522mm) x 30-1/4" (768mm)	3-1/4" (83mm)	581 lb. (264 kg)/ 44 lb./sq.ft. (213 kg/sq.m)	90 lb. (198 kg.)	59 gal. (224 l.)	54 gal. (205 l.)

TABLE 2

ROUGH-IN REFERENCES



SPECIFICATIONS:

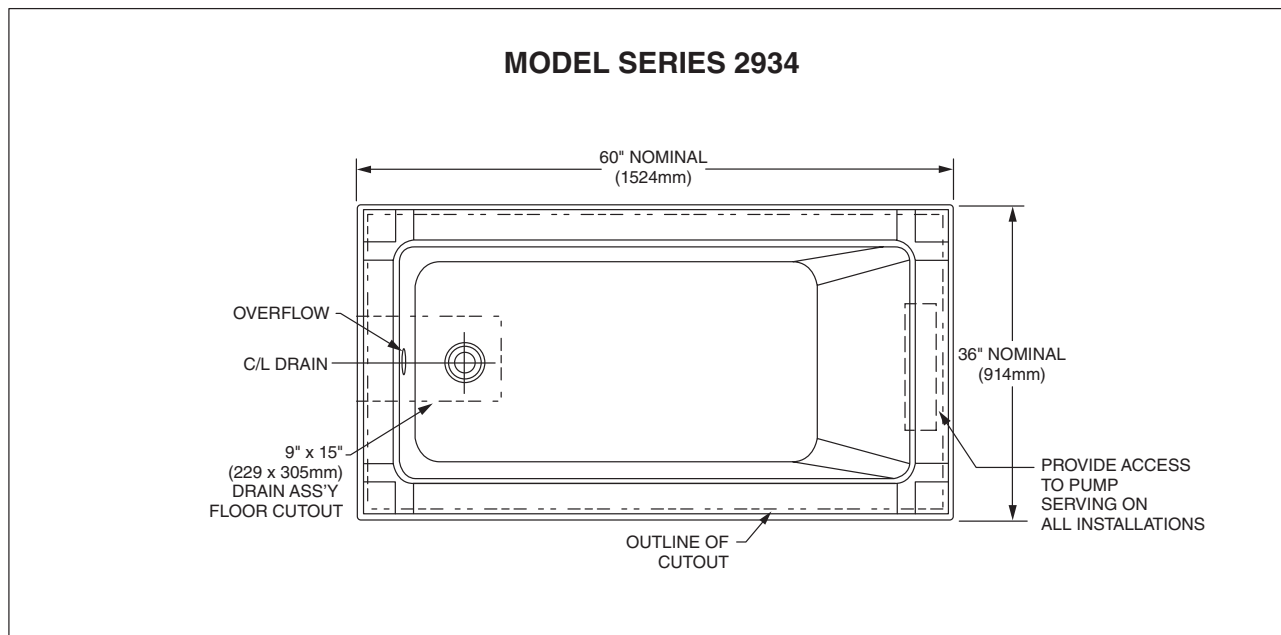


GENERAL SPECIFICATIONS FOR STUDIO 5' x 36" WHIRLPOOLS AND BATH TUBS

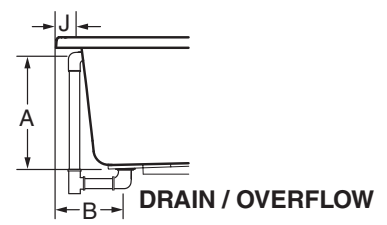
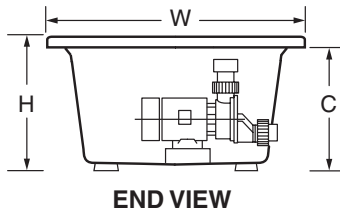
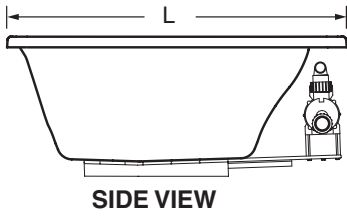
Description	Deck Trim Option	Dimensions L-W-H	Drain / Overflow	Height to Underside of Deck Edge: C	Cut Out Pier G x F	Rough-In Recess E x D	Tub Edge to Centerline Overflow: J	Weight with Water / Floor Loading	Product Weight	Gallon to Overflow	Whirlpool Operating Volume
2934 Studio 5' x 36"	Zero (5/8")	L 59-1/2" (1511mm) W 35-1/2" (902mm) H 22-1/2" (572mm)	A 17-3/4" (451mm) B 10-3/4" (273mm)	C 21-7/8" (556mm)	58" (1473mm) x 34" (864mm)	59-11/16" (1516mm) x 34" (864mm)	3-1/4" (83mm)	686 lb. (311 kg)/ 46 lb./sq.ft. (223 kg/sq.m)	95 lb. (209 kg.)	71 gal. (269 l.)	64 gal. (243 l.)
2934 Studio 5' x 36"	2"	L 59-3/4" (1518mm) W 35-3/4" (908mm) H 22-1/2" (572mm)	A 17-3/4" (451mm) B 10-7/8" (276mm)	C 20-1/2" (521mm)	58-1/4" (1480mm) x 34-1/4" (870mm)	59-15/16" (1522mm) x 34-1/4" (870mm)	3-1/4" (83mm)	686 lb. (311 kg)/ 46 lb./sq.ft. (223 kg/sq.m)	95 lb. (209 kg.)	71 gal. (269 l.)	64 gal. (243 l.)

TABLE 3

ROUGH-IN REFERENCES



SPECIFICATIONS:

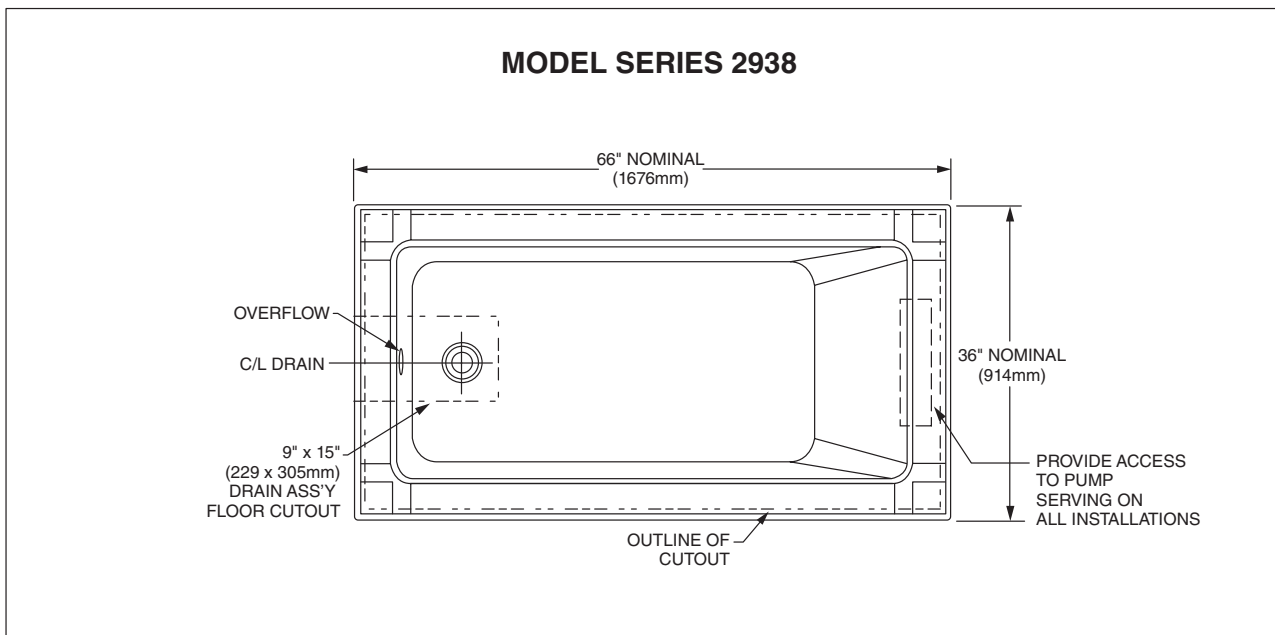


GENERAL SPECIFICATIONS FOR STUDIO 5-1/2' x 36" WHIRLPOOLS AND BATH TUBS

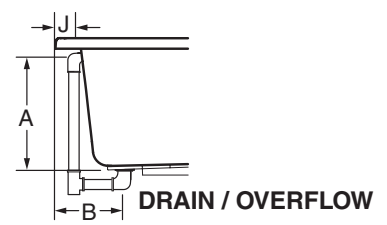
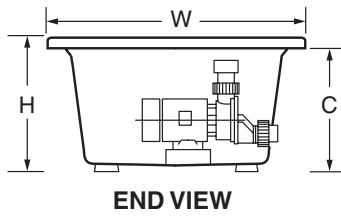
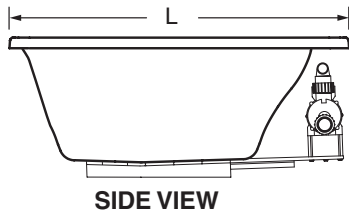
Description	Deck Trim Option	Dimensions L-W-H	Drain / Overflow	Height to Underside of Deck Edge: C	Cut Out Pier G x F	Rough-In Recess E x D	Tub Edge to Centerline Overflow: J	Weight with Water / Floor Loading	Product Weight	Gallon to Overflow	Whirlpool Operating Volume
2938 Studio 5-1/2' x 36"	Zero (5/8")	L 65-1/2" (1664mm) W 35-1/2" (902mm) H 22-1/2" (572mm)	A 17-3/4" (451mm) B 10-3/4" (273mm)	C 21-7/8" (556mm)	64" (1626mm) x 34" (864mm)	65-11/16" (1668mm) x 34" (864mm)	3-1/4" (83mm)	766 lb. (348 kg)/ 46 lb./sq.ft. (227 kg/sq.m)	100 lb. (220 kg.)	80 gal. (303 l.)	73 gal. (277 l.)
2938 Studio 5-1/2' x 36"	2"	L 65-3/4" (1670mm) W 35-3/4" (908mm) H 22-1/2" (572mm)	A 17-3/4" (451mm) B 10-7/8" (276mm)	C 20-1/2" (521mm)	64-1/4" (1632mm) x 34-1/4" (870mm)	65-15/16" (1675mm) x 34-1/4" (870mm)	3-1/4" (83mm)	766 lb. (348 kg)/ 46 lb./sq.ft. (227 kg/sq.m)	100 lb. (220 kg.)	80 gal. (303 l.)	73 gal. (277 l.)

TABLE 4

ROUGH-IN REFERENCES



SPECIFICATIONS:

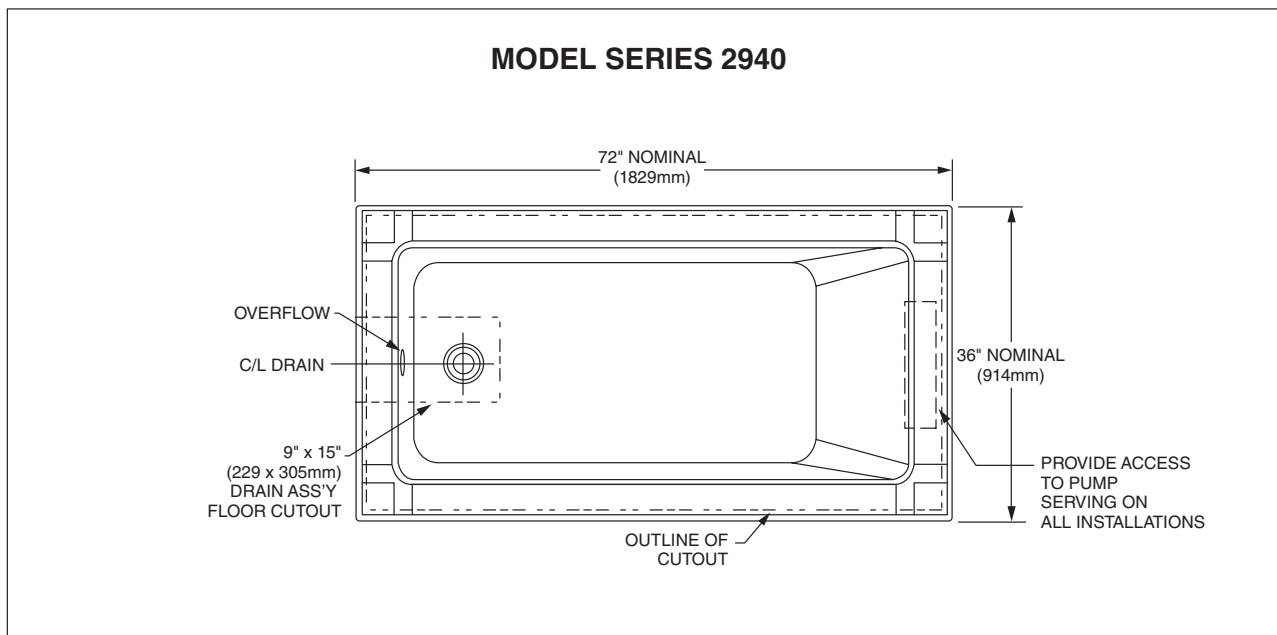


GENERAL SPECIFICATIONS FOR STUDIO 6' x 36" WHIRLPOOLS AND BATH TUBS

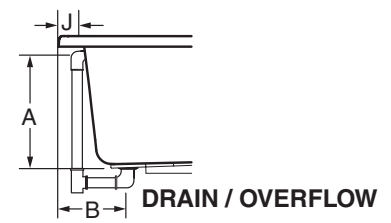
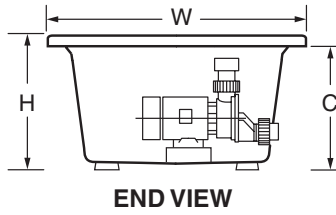
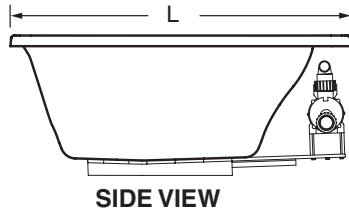
Description	Deck Trim Option	Dimensions L-W-H	Drain / Overflow	Height to Underside of Deck Edge: C	Cut Out Pier G x F	Rough-In Recess E x D	Tub Edge to Centerline Overflow: J	Weight with Water / Floor Loading	Product Weight	Gallon to Overflow	Whirlpool Operating Volume
2940 Studio 6' x 36"	Zero (5/8")	L 71-1/2" (1816mm) W 35-1/2" (902mm) H 22-1/2" (572mm)	A 17-3/4" (451mm) B 10-3/4" (273mm)	C 21-7/8" (556mm)	70" (1778mm) x 34" (864mm)	71-11/16" (1821mm) x 34" (864mm)	3-1/4" (83mm)	846 lb. (384 kg)/ 47 lb./sq.ft. (230 kg/sq.m)	105 lb. (231 kg.)	89 gal. (337 l.)	81 gal. (307 l.)
2940 Studio 6' x 36"	2"	L 71-3/4" (1822mm) W 35-3/4" (908mm) H 22-1/2" (572mm)	A 17-3/4" (451mm) B 10-7/8" (276mm)	C 20-1/2" (521mm)	70-1/4" (1784mm) x 34-1/4" (870mm)	71-15/16" (1827mm) x 34-1/4" (870mm)	3-1/4" (83mm)	846 lb. (384 kg)/ 47 lb./sq.ft. (230 kg/sq.m)	105 lb. (231 kg.)	89 gal. (337 l.)	81 gal. (307 l.)

TABLE 5

ROUGH-IN REFERENCES



SPECIFICATIONS:

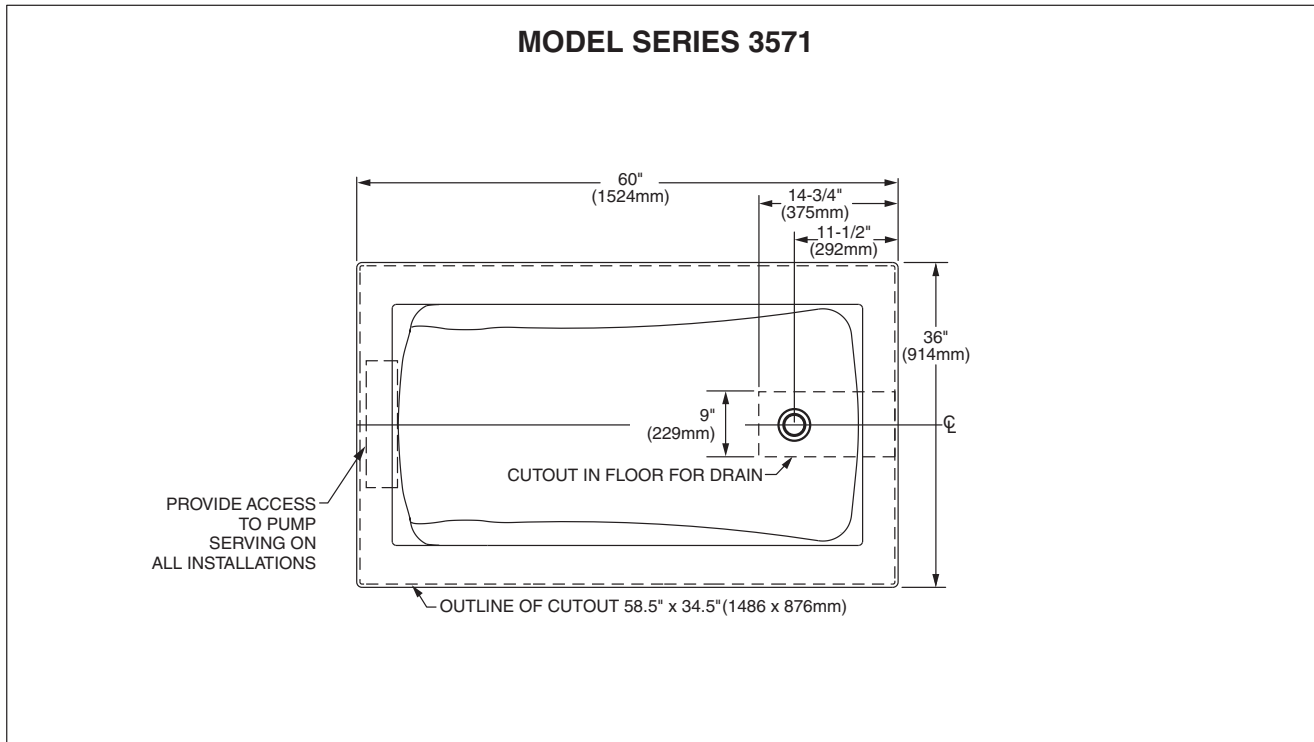


GENERAL SPECIFICATIONS FOR GREEN TEA WHIRLPOOLS AND BATH TUBS

Description	Dimensions L-W-H	Drain / Overflow	Height to Underside of Deck Edge: C	Cut Out Pier G x F	Rough-In Recess E x D	Tab Edge to Centerline Overflow: J	Weight with Water / Floor Loading	Product Weight	Gallon to Overflow	Whirlpool Operating Volume
3571 Green Tea 5' x 36"	L 60" (1524mm) W 36" (914mm) H 21" (533mm)	A 16" (406mm) B 11-1/2" (349mm)	C 19" (483mm)	58-1/2" (1485mm) x 34-1/2" (876mm)	60-3/16" (1529mm) x 34-1/2" (876mm)	3-1/2" (89mm)	519 lb. (236 kg)/ 35 lb./sq.ft. (171 kg/sq.m)	86 lb. (39 kg.)	52 gal. (197 l.)	38 gal. (144 l.)
3572 Green Tea 5-1/2' x 36"	L 66" (1676mm) W 36" (914mm) H 21" (533mm)	A 16" (406mm) B 11-1/2" (349mm)	C 19" (483mm)	64-1/2" (1638mm) x 34-1/2" (876mm)	66-3/16" (1681mm) x 34-1/2" (876mm)	3-3/4" (95mm)	592 lb. (269 kg)/ 36 lb./sq.ft. (176 kg/sq.m)	100 lb. (45 kg.)	59 gal. (223 l.)	44 gal. (166 l.)
3573 Green Tea 6' x 36"	L 72" (1829mm) W 36" (914mm) H 21" (533mm)	A 16" (406mm) B 11-1/2" (349mm)	C 19" (483mm)	70-1/2" (1791mm) x 34-1/2" (876mm)	72-3/16" (1834mm) x 34-1/2" (876mm)	3-1/2" (89mm)	665 lb. (302 kg)/ 37 lb./sq.ft. (181 kg/sq.m)	115 lb. (52 kg.)	66 gal. (250 l.)	49 gal. (185 l.)
3574 Green Tea 5' x 42"	L 60" (1524mm) W 42" (1067mm) H 21" (533mm)	A 16" (406mm) B 11-1/2" (349mm)	C 19" (483mm)	58-1/2" (1485mm) x 40-1/2" (1029mm)	60-3/16" (1529mm) x 40-1/2" (1029mm)	3-1/8" (79mm)	656 lb. (298 kg)/ 38 lb./sq.ft. (186 kg/sq.m)	115 lb. (52 kg.)	65 gal. (246 l.)	47 gal. (178 l.)
3575 Green Tea 6' x 42"	L 72" (1829mm) W 42" (1067mm) H 21" (533mm)	A 16" (406mm) B 11-1/2" (349mm)	C 19" (483mm)	70-1/2" (1791mm) x 40-1/2" (1029mm)	72-3/16" (1834mm) x 40-1/2" (1029mm)	3-1/2" (89mm)	785 lb. (356 kg)/ 37 lb./sq.ft. (181 kg/sq.m)	127 lb. (57 kg.)	79 gal. (299 l.)	58 gal. (219 l.)

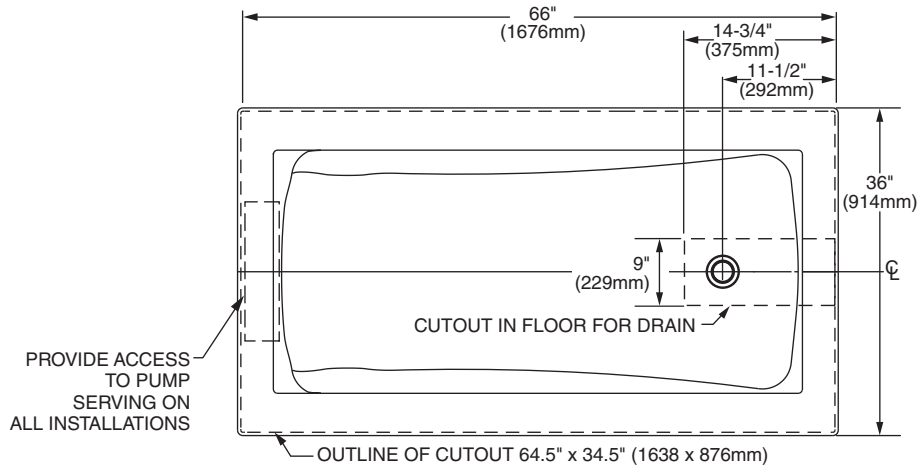
TABLE 6

ROUGH-IN REFERENCES

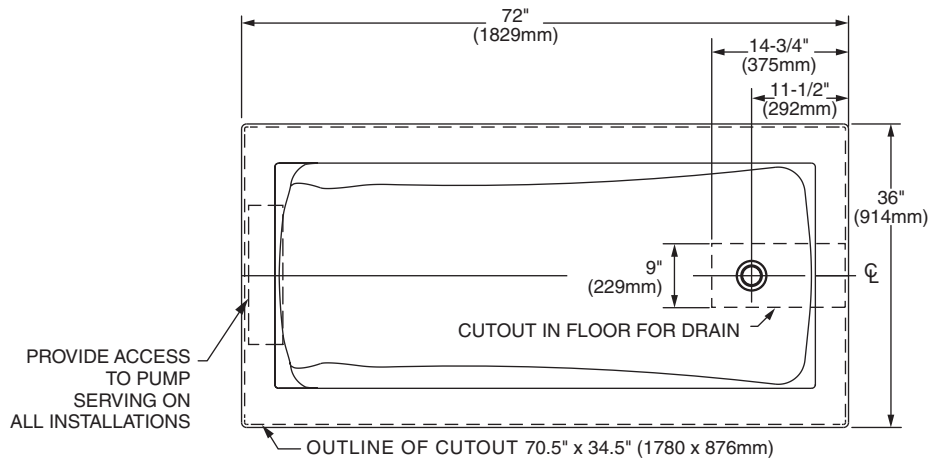


ROUGH-IN REFERENCES

MODEL SERIES 3572

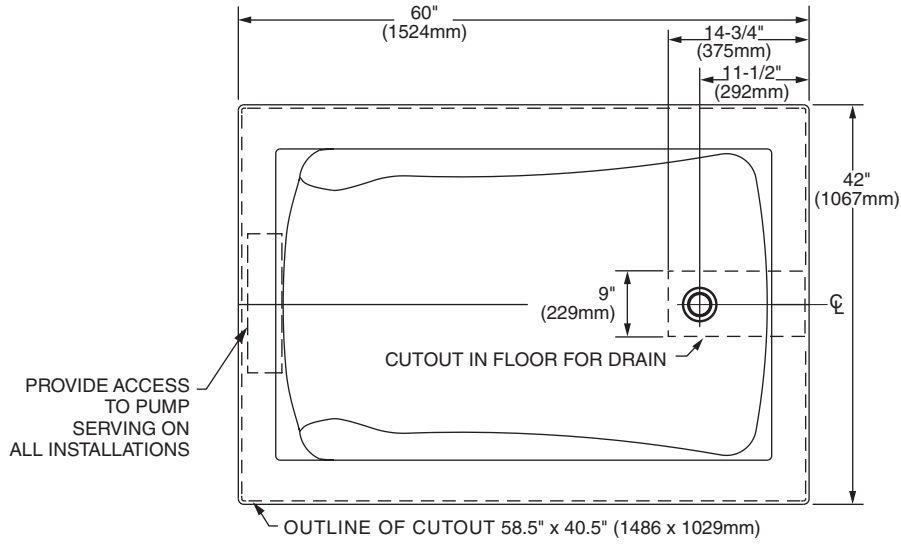


MODEL SERIES 3573

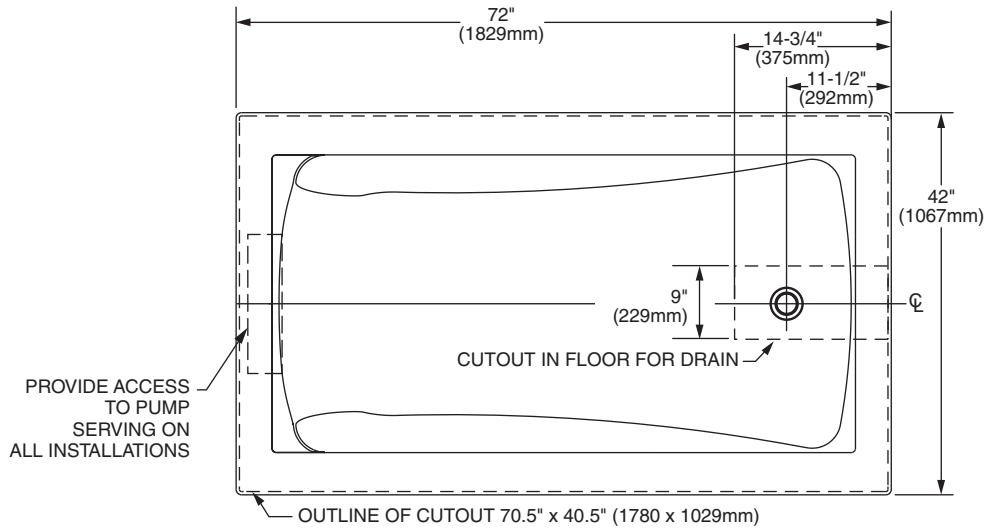


ROUGH-IN REFERENCES

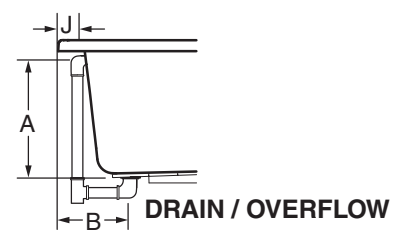
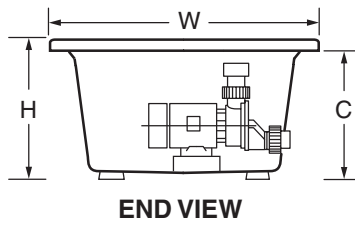
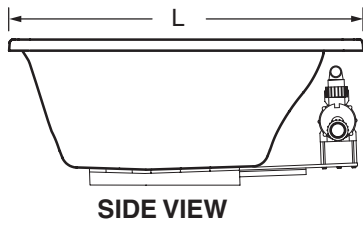
MODEL SERIES 3574



MODEL SERIES 3575



SPECIFICATIONS:

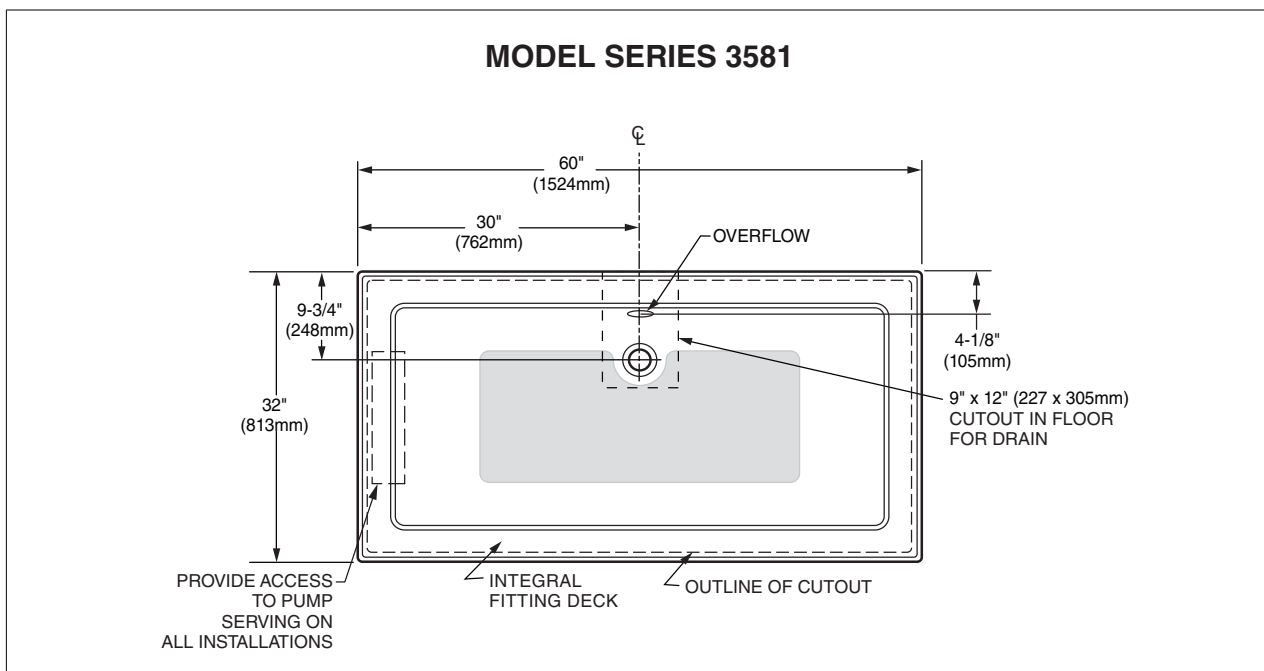


GENERAL SPECIFICATIONS FOR SERIN WHIRLPOOLS AND BATH TUBS

Description	Dimensions L-W-H	Drain / Overflow	Height to Underside of Deck Edge: C	Cut Out Pier G x F	Rough-In Recess E x D	Tub Edge to Centerline Overflow: J	Weight with Water / Floor Loading	Product Weight	Gallon to Overflow	Whirlpool Operating Volume
3581 Serin 5' x 32"	L 60" (1524mm) W 32" (813mm) H 23" (584mm)	A 16-3/4" (425mm) B 10-1/4" (260mm)	C 20" (508mm)	58-1/2" (1486mm) x 30-1/2" (775mm)	60-3/16" (1529mm) x 30-1/2" (775mm)	4-1/8" (105mm)	536 lb. (244 kg)/ 40 lb./sq.ft. (193 kg/sq.m)	85 lb. (37 kg.)	54 gal. (204 l.)	49 gal. (186 l.)

TABLE 7

ROUGH-IN REFERENCES



ELECTRICAL INSTALLATION INSTRUCTIONS

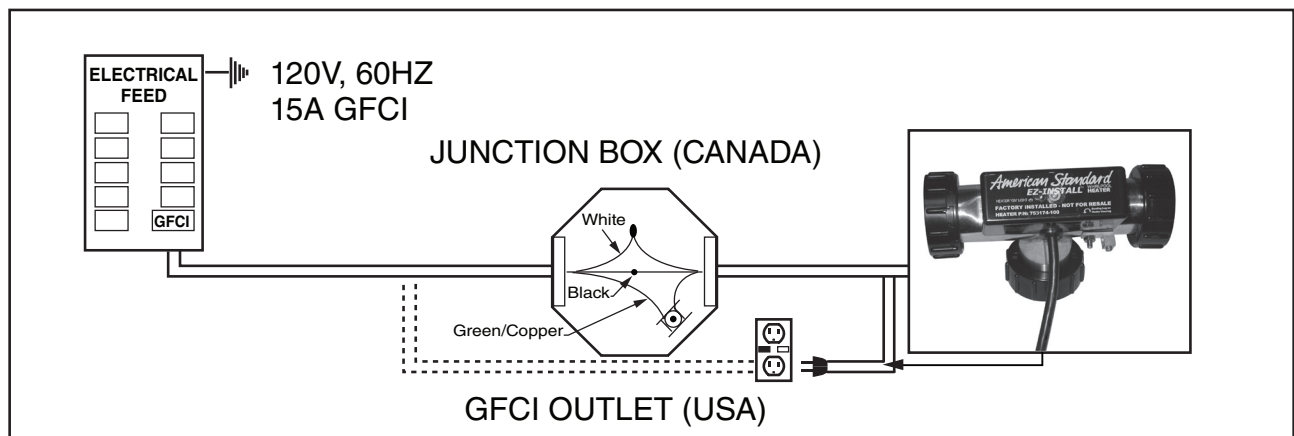
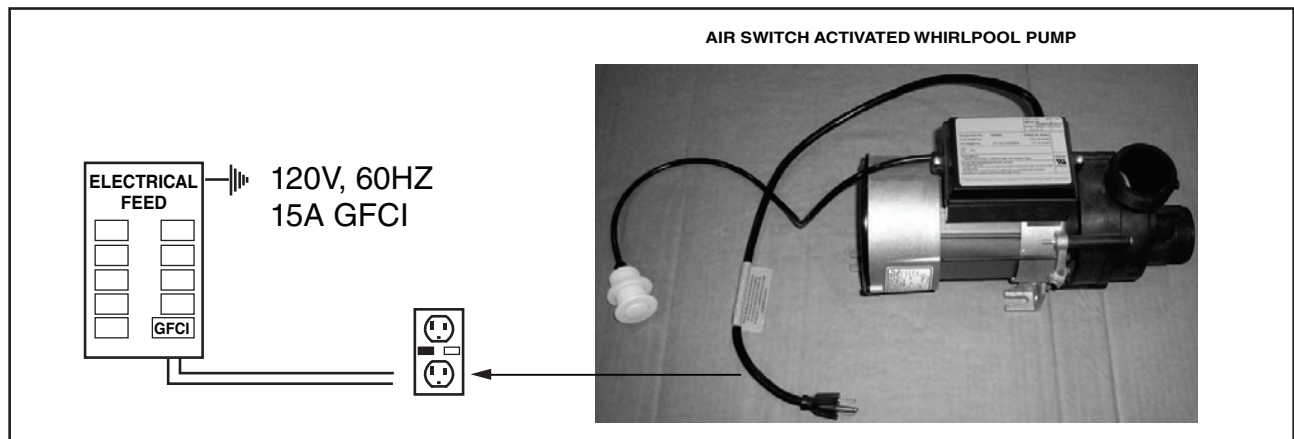
All wiring must be performed by a licensed electrician in accordance with the national electrical code and all other applicable codes.

⚠ WARNING: When using electrical products, basic precautions should always be observed, including the following:

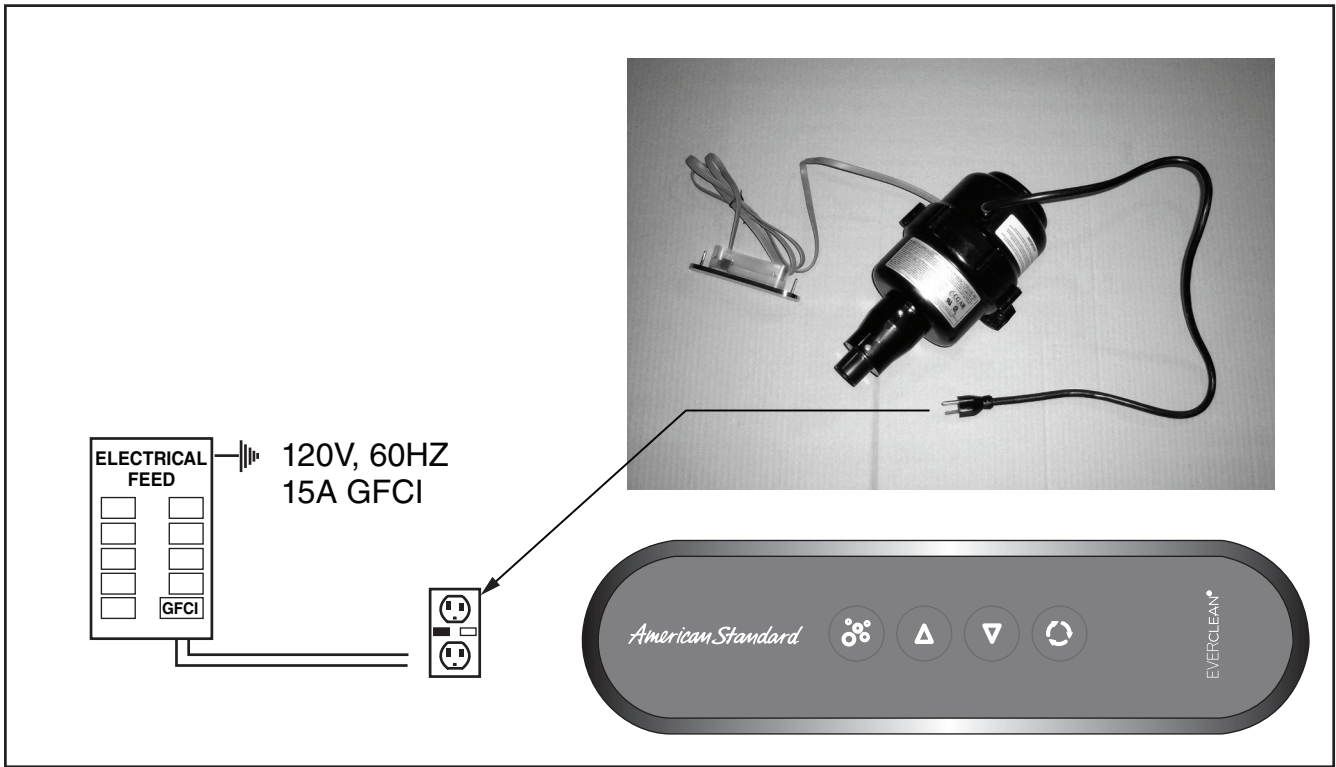
1. **DANGER: RISK OF ELECTRIC SHOCK!** Connect only to a circuit protected by a ground-fault circuit interrupter.
2. Grounding is required. The unit should be installed by a licensed electrician and grounded.
3. Permit access for servicing motor as noted.
4. All building materials and wiring should be routed away from the pump body and heater (if equipped).

Refer to the schematics below for the appropriate bath electrical installation. Dedicated 15A circuits with GFCI (Ground Fault Circuit Interrupter) protection are required.

At initial start-up with the power ON, push the GFCI test button. The reset button should pop out. Push this button in to reset. If the GFCI fails to operate in this manner, there is a ground fault or malfunction, indicating the possibility of electrical shock. Turn off the power and do not use until the source of the problem has been identified and corrected.



ELECTRICAL INSTALLATION INSTRUCTIONS (continued)

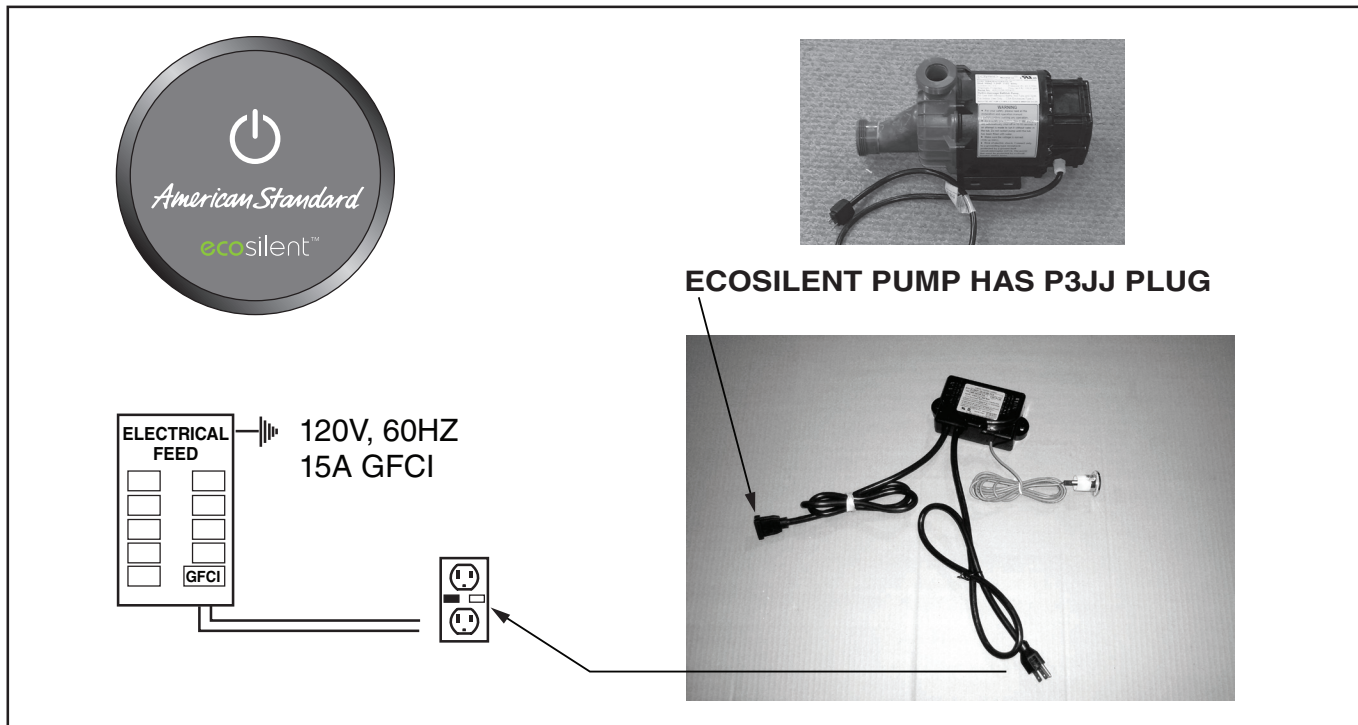


ELECTRONIC ACTIVATED AIR BATH (4 BUTTON PANEL)



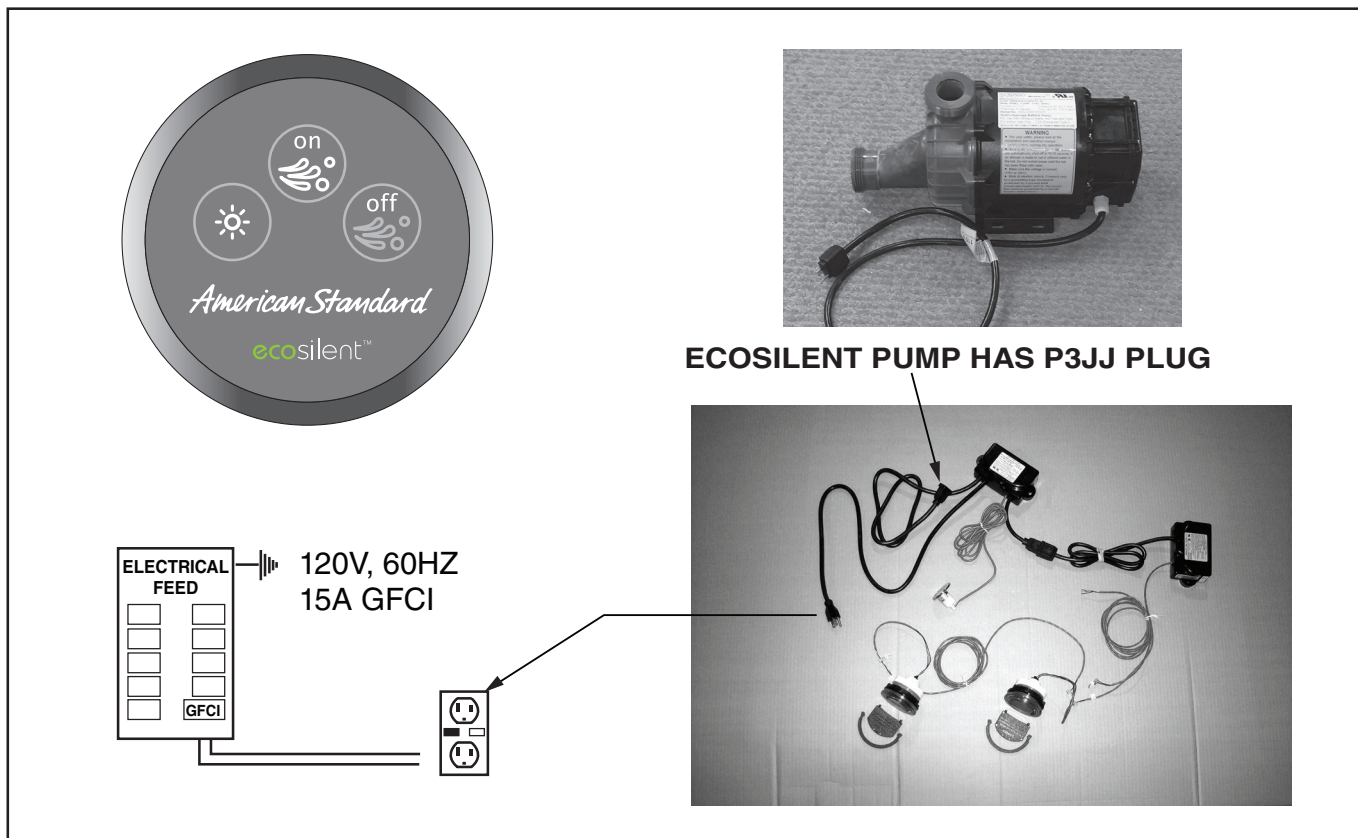
ELECTRONIC ACTIVATED AIR BATH WITH LIGHTS (5 BUTTON PANEL)

ELECTRICAL INSTALLATION INSTRUCTIONS (continued)



The diagram shows a circular button panel with a power symbol and the text "American Standard ecosilent™". To the right is a photo of the "ECOSILENT PUMP HAS P3JJ PLUG". Below the panel is a schematic of an "ELECTRICAL FEED" with a ground symbol and the text "120V, 60HZ 15A GFCI". A line connects the feed to a GFCI outlet. To the right is a photo of the pump's wiring, with an arrow pointing to the P3JJ plug.

ELECTRONIC ACTIVATED ECOSILENT WHIRLPOOL (1 BUTTON PANEL)

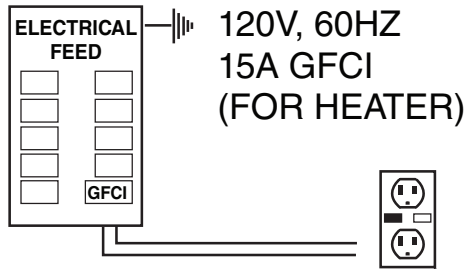


The diagram shows a circular button panel with "on", "off", and a light symbol, and the text "American Standard ecosilent™". To the right is a photo of the "ECOSILENT PUMP HAS P3JJ PLUG". Below the panel is a schematic of an "ELECTRICAL FEED" with a ground symbol and the text "120V, 60HZ 15A GFCI". A line connects the feed to a GFCI outlet. To the right is a photo of the pump's wiring, with an arrow pointing to the P3JJ plug.

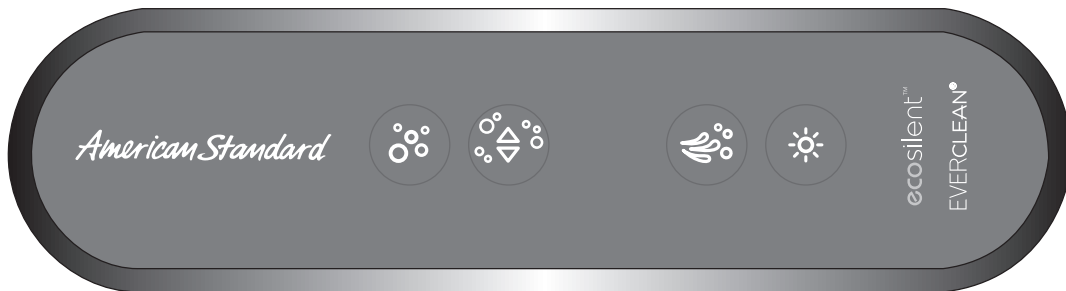
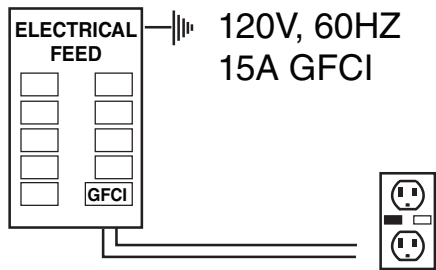
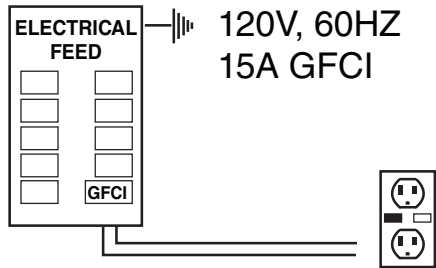
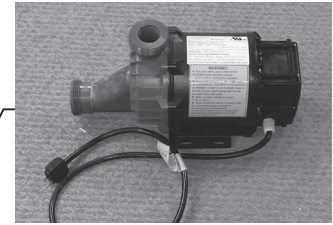
ELECTRONIC ACTIVATED ECOSILENT WHIRLPOOL WITH LIGHTS (3 BUTTON PANEL)

ELECTRICAL INSTALLATION INSTRUCTIONS (continued)

USE THREE GFCI OUTLETS (USA MARKET)



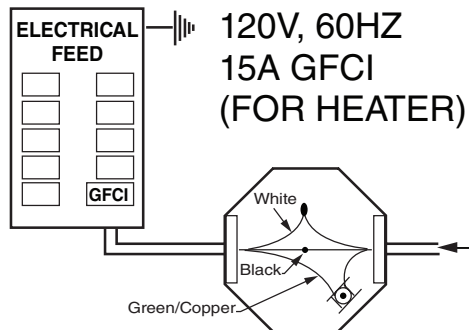
WHIRLPOOL HEATER IS
FACTORY INSTALLED ON
COMBINATION TUBS



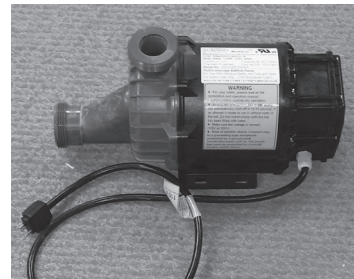
ELECTRONIC ACTIVATED COMBINATION TUB WITH LIGHTS (4 BUTTON PANEL)

ELECTRICAL INSTALLATION INSTRUCTIONS (continued)

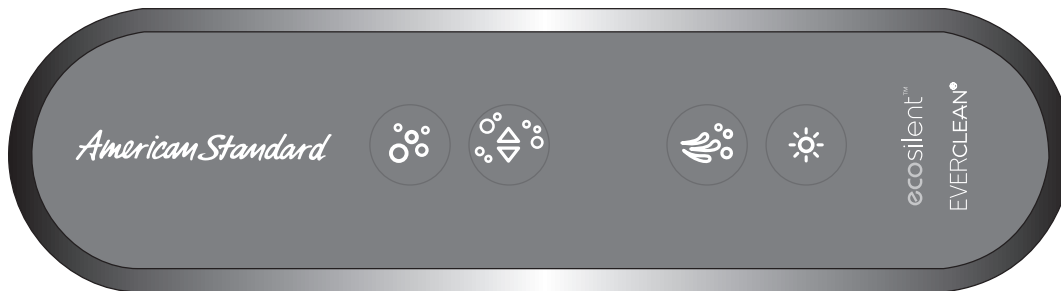
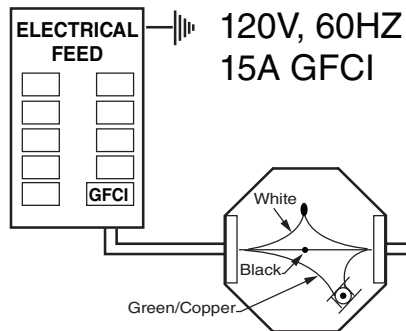
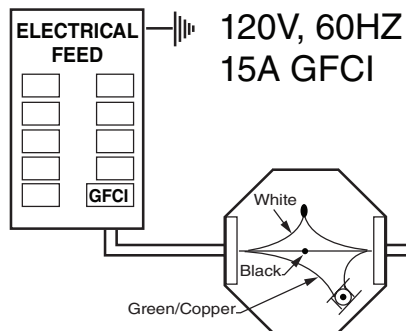
**USE THREE JUNCTION BOXES
(CANADA MARKET)**



**WHIRLPOOL HEATER IS
FACTORY INSTALLED ON
COMBINATION TUBS**



**ECOSILENT PUMP
HAS P3JJ PLUG**



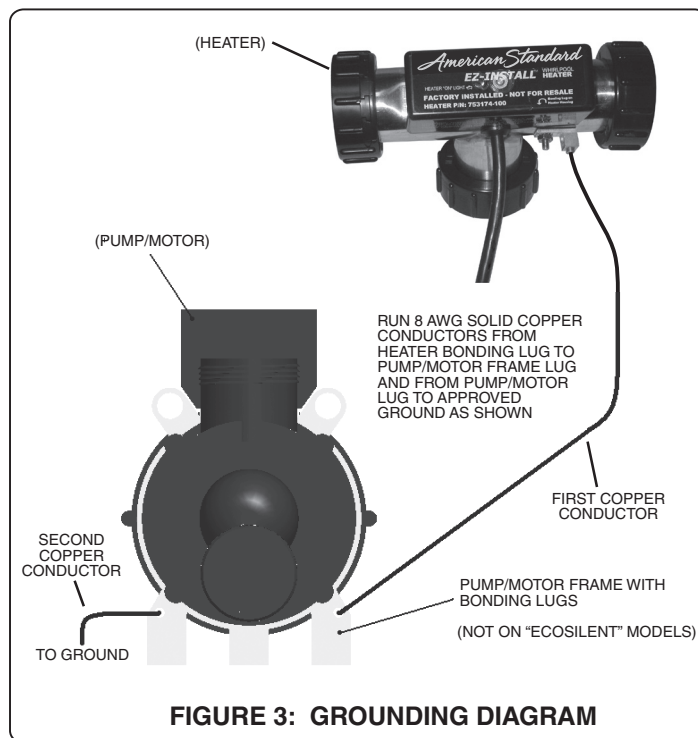
ELECTRONIC ACTIVATED COMBINATION TUB WITH LIGHTS (4 BUTTON PANEL)

ELECTRICAL INSTALLATION INSTRUCTIONS (continued)

Ensure the heater and pump are properly GROUNDED and BONDED as required. Attach the 8 AWG solid copper conductor supplied with the heater from the heater bonding lug to the motor frame bonding lug as shown in Figure 3.

The conductor is secured to the lugs using set screws. The motor frame shall have a second 8 AWG solid copper conductor connected from the frame bonding lug to the home's electrical panel or approved local bonding point as shown in Figure 3.

NOTE: For all "EcoSilent" pump configurations, the pump housing is plastic. Therefore, the first copper conductor attached to the heater must be grounded directly to the home's electrical panel or approved local bonding point. this type of configuration does not need the second copper conductor shown in Figure 3.



WHIRLPOOL HEATER OPERATION

WARNING: Prior to operation, review the Important Safety Instructions listed at the beginning of this instruction manual.

Once the heater is installed and the whirlpool pump is operating, the heater is totally automatic. The heater will help maintain the temperature of the water in the bath.

Pressure Switch

The heater is equipped with a preset pressure switch. The pump must be running with water flowing in the whirlpool to allow the heater to turn on.

Indicator Light

This light turns on whenever the heater is operating.

High-Limit Switch

The heater includes an exclusive "Intelligent High-Limit." This safety circuit will not "false trip" from hot tap water. It will only turn the heater off if the thermostat fails. If the high-limit trips frequently, call a service technician. To manually reset the circuit in the event that the "High-Limit" switch has been activated, simply

- (1) Turn off the whirlpool pump.
- (2) Drain water from the tub.
- (3) Remove power from heater by unplugging at receptacle or turning off circuit breaker.
- (4) The heater circuit will automatically reset in less than 15 minutes.
- (5) Restore power to the heater.
- (6) Whirlpool bath is now ready to use.

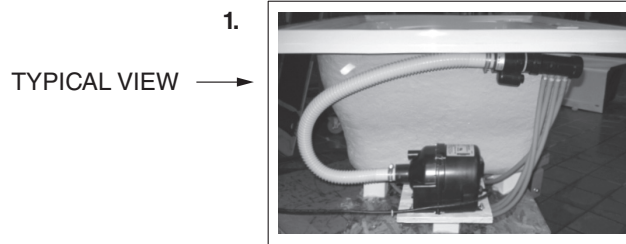


**FIGURE 4: WHIRLPOOL HEATER
INDICATOR LIGHT**

REMOTE BLOWER LOCATION OPTION

IMPORTANT! It is not necessary that the blower motor be relocated. This option is provided for the case that a particular installation makes this effort practical.

NOTE: Relocating blower motor from factory installed location, see photo 1, will require disassembly of air blower from mounting board. Keep all hardware for reattachment at new location. Additional hardware will be required depending upon final desired position of air blower. Follow all instructions listed below.



NOTE: Installing the blower in a remote location will reduce the system efficiency.

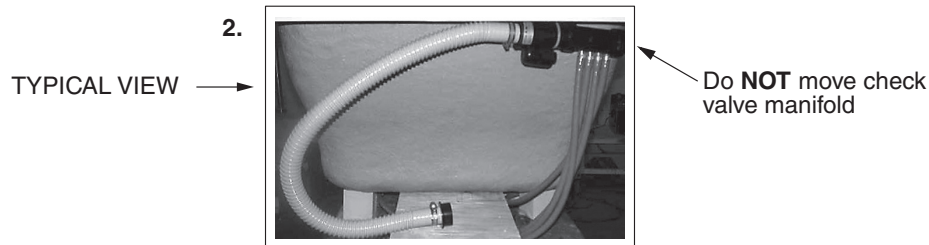
NOTE: Relocating a blower motor still requires a service access for the blower.

NOTE: All materials needed for the relocation must be supplied by the installer. This includes ordering a longer control panel cable (754025-0073A), a longer flexible blower hose (753960-2030A), and up to two lighting cable extensions for combo models (754512-0070A).

A separate circuit, which must be protected by the Ground Fault Circuit Interrupter (GFCI), is required in the remote location. Electrical connections should be performed by a licensed electrician.

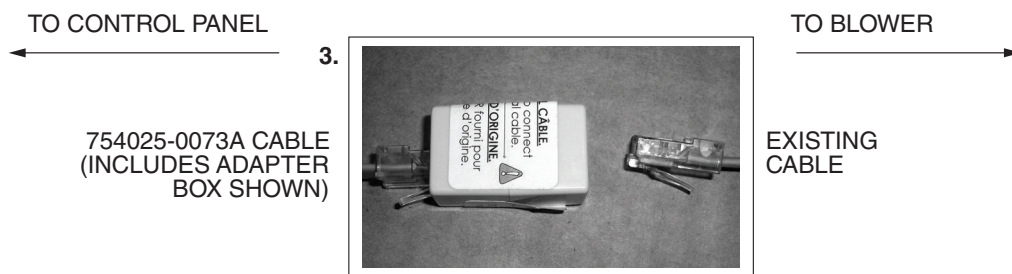
The blower motor must be located within 12 feet of rigid piping from the bath air manifold. This limitation is for the total pipe length and applies to any direction changes and elbows. There can be no more than six changes of direction. There should be as few direction changes as possible and the piping installation must meet all requirements of local plumbing and building codes.

Disconnect the blower from the flexible hose as shown in photo 2. Do NOT remove the check valve manifold that is mounted to the underside of the air bath. The manifold MUST remain mounted above the tub overflow level as shown in 2.



Replace the flexible hose shown in photo 2 with the longer flexible hose (P/N 753960-2030A) using the existing hose clamps.

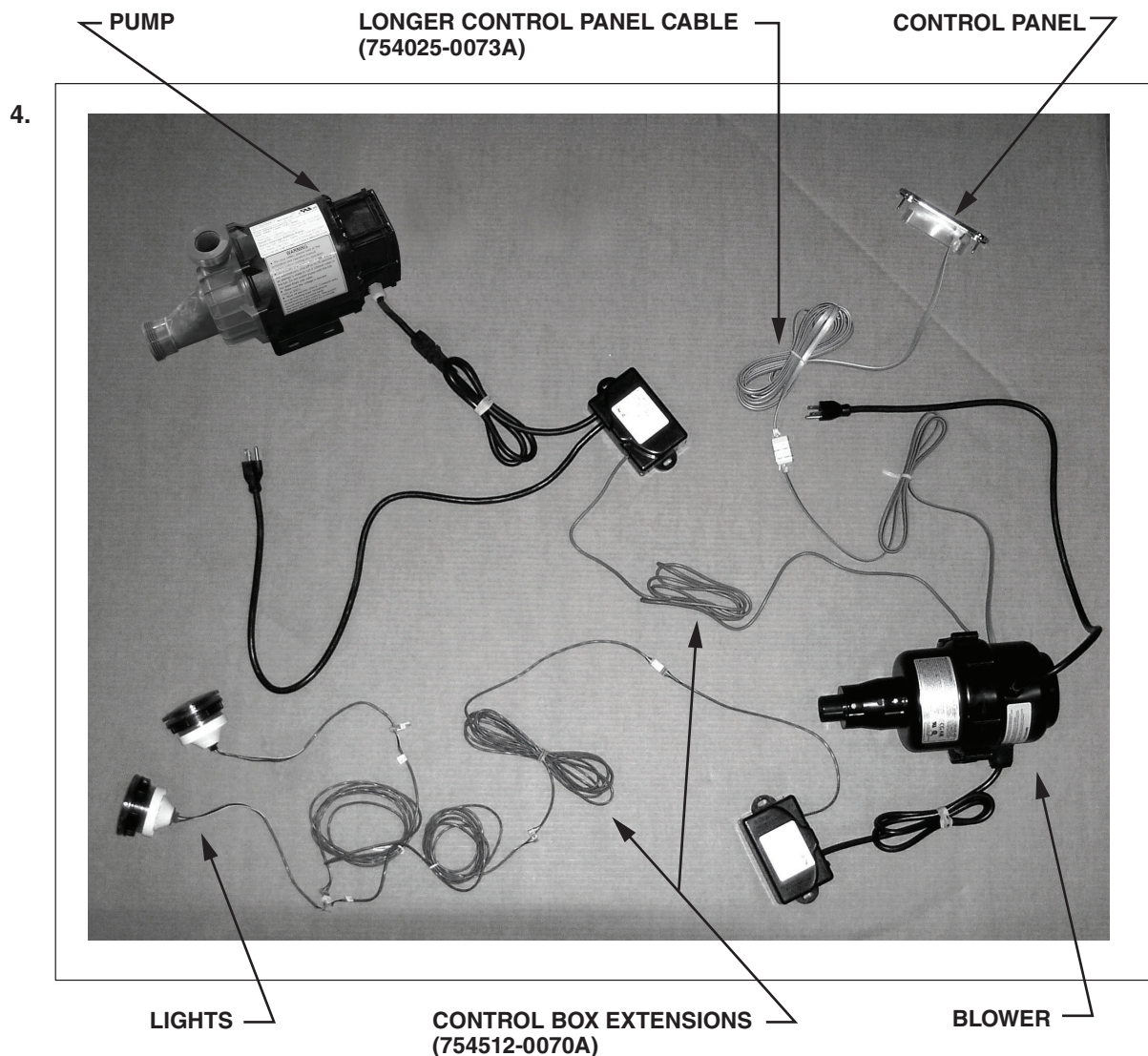
NOTE: Do NOT remove the original cable coming out of the blower. Instead, plug the longer cable (P/N 754025-0073A) into the existing cable that is coming out of the blower as shown in photo 3. Then plug the remaining end of the longer cable into the control panel which remains on the tub wall.



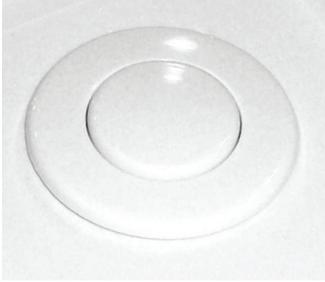
REMOTE BLOWER LOCATION OPTION (continued)

FOR THE COMBINATION WHIRLPOOL / AIR BATH CONFIGURATIONS ONLY:

Up to two additional control box extensions (P/N 754512-0070A) are required as shown in photo 4 (below). Simply extend the cables going to the blower by adding in the extension cables. Be careful not to damage the cable connections and never plug in cables while power is applied to blower and/or pump.



Operation: Single Speed Whirlpool



AIR SWITCH



ELECTRONIC SWITCH

BATHING:

- Fill bath with water at a comfortable bathing temperature - If your whirlpool is equipped with the optional EZ-Heater, it will automatically maintain the water temperature.
- **IMPORTANT:** Do NOT fill the whirlpool more than 2/3 full before getting in, as it may overflow.
- **IMPORTANT:** Do NOT add bath oils or salts – this will damage the whirlpool pump.
- **IMPORTANT:** Water level must be at least one inch (25mm) above the highest jet before the whirlpool is started. Operating the system without water (dry running) for extended periods will cause pump damage and void the warranty.
- **IMPORTANT:** The EcoSilent whirlpool will NOT operate unless the water level is at least one inch above the highest jet.

STARTING WHIRLPOOL:

- Press on/off button to start whirlpool.

STOPPING WHIRLPOOL:

- Press on/off button again to stop whirlpool.

AIR VOLUME CONTROL ADJUSTMENTS:

- Water turbulence is determined by the amount of air mixed with the water. Rotate the air volume control counterclockwise for more turbulence, and clockwise for less.

FLOW JET VOLUME ADJUSTMENTS:

- Water flow-levels can be adjusted from vigorous to soft by rotating the nozzle counterclockwise for vigorous and clockwise for soft.

- **The water flow to the mini-jets in the lumbar area of bath (if so equipped) can be adjusted by turning the mini-jet flow control valve open (counterclockwise) or closed (clockwise). the mini-jets themselves are NOT adjustable.**

Operation: EcoSilent Whirlpool with Lights



3-BUTTON ELECTRONIC SWITCH

DISPLAY COLORS	
1 ST	WHITE
2 ND	SLOW RAINBOW CYCLE
3 TH	FAST RAINBOW CYCLE
4 TH	TURQUOISE
5 TH	BLUE
6 TH	MAGENTA
7 TH	RED
8 TH	ORANGE
9 TH	YELLOW
10 TH	GREEN
11 TH	RETURN TO SLOW RAINBOW CYCLE

BATHING:

- Fill bath with water at a comfortable bathing temperature - If your whirlpool is equipped with the optional EZ-Heater, it will automatically maintain the water temperature.
- **IMPORTANT:** Do NOT fill the whirlpool more than 2/3 full before getting in, as it may overflow.
- **IMPORTANT:** Do NOT add bath oils or salts – this will damage the whirlpool pump.
- **IMPORTANT:** Water level must be at least one inch (25mm) above the highest jet before the whirlpool is started. Operating the system without water (dry running) for extended periods will cause pump damage and void the warranty.
- **IMPORTANT:** The EcoSilent whirlpool will NOT operate unless the water level is at least one inch above the highest jet.



- To start whirlpool pump, press “on” button.



- To stop whirlpool pump, press “off” button.



- To turn on Chromotherapy lights, press light button once. The cycle will start on white.
- Turn off and on within 3 seconds; it will change to slow rainbow cycle and so on per the display color table shown above.

AIR VOLUME CONTROL ADJUSTMENTS:

- Water turbulence is determined by the amount of air mixed with the water. Rotate the air volume control counterclockwise for more turbulence, and clockwise for less.

FLOW JET VOLUME ADJUSTMENTS:

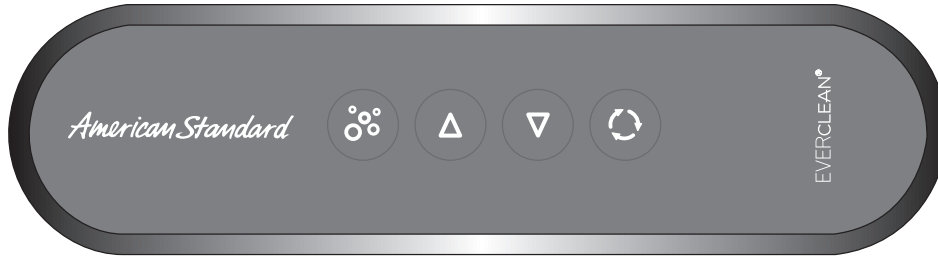
- Water flow-levels can be adjusted from vigorous to soft by rotating the nozzle counterclockwise for vigorous and clockwise for soft.
- The water flow to the mini-jets in the lumbar area of bath (if so equipped) can be adjusted by turning the mini-jet flow control valve open (counterclockwise) or closed (clockwise). the mini-jets themselves are NOT adjustable.





Operation: Air Bath

BATHING:

- **IMPORTANT: DO NOT ADD BATH OILS OR SALTS** as they will damage the whirlpool pump and may harm the acrylic surface.
- Close drain by rotating Drain Overflow Knob **COUNTER-CLOCKWISE**
- Fill bath with water at a comfortable bathing temperature.

OPERATING AIR MASSAGE SYSTEM:



	ON/OFF: Press this button once to turn air-blower on. Press again to turn air-blower off.
	AIR SPEED INCREASE: Pressing this button will increase to the next higher speed.
	AIR SPEED DECREASE: Pressing this button will decrease to the next lower speed.
	WAVE FUNCTION: Press this button to start the wave function (button will light). Blower speed will continuously vary between high and low. Press again to exit wave function (button light will go out).

EXITING THE BATH

- Be sure to turn off the air blower before draining bath.
- Open drain by rotating drain knob clockwise.

DRYING CYCLE OPTIONS

STANDARD DRYING CYCLE

An automatic drying cycle will start 20 minutes after the blower is turned off. The blower LED blinks while waiting for the purge cycle.

24H PROGRAMMABLE DRYING CYCLE

The system must be stopped prior to activation or deactivation.

Activation: Determine at which time you wish to purge to activate. At that precise time, press and hold the second button on the keypad for 5 seconds, all LEDs will flash twice. The purge cycle will now start at the programmed time every 24 hrs. In the event of a power failure, the program will be automatically deactivated.

Deactivation: Press and hold the second button on the keypad for 5 seconds, all LEDs will flash once to confirm deactivation.

Operation: Air Bath with Lights

BATHING:

- **IMPORTANT: DO NOT ADD BATH OILS OR SALTS** as they will damage the whirlpool pump and may harm the acrylic surface.
- Close drain by rotating Drain Overflow Knob **COUNTER-CLOCKWISE**
- Fill bath with water at a comfortable bathing temperature.

OPERATING AIR MASSAGE and CHROMATHERAPY SYSTEM:



	ON/OFF: Press this button once to turn air-blower on. Press again to turn air-blower off.
	AIR SPEED INCREASE: Pressing this button will increase to the next higher speed.
	AIR SPEED DECREASE: Pressing this button will decrease to the next lower speed.
	WAVE FUNCTION: Press this button to start the wave function (button will light). Blower speed will continuously vary between high and low. Press again to exit wave function (button light will go out).

DISPLAY COLORS	
1 ST	WHITE
2 ND	SLOW RAINBOW CYCLE
3 TH	FAST RAINBOW CYCLE
4 TH	TURQUOISE
5 TH	BLUE
6 TH	MAGENTA
7 TH	RED
8 TH	ORANGE
9 TH	YELLOW
10 TH	GREEN
11 TH	RETURN TO SLOW RAINBOW CYCLE

	<ul style="list-style-type: none"> • To turn on Chromatherapy lights, press light button once. The cycle will start on white. • Turn off and on within 3 seconds; it will change to slow rainbow cycle and so on per the display color table shown above.
--	---

Operation: Air Bath with Lights (continued)

EXITING THE BATH

- Be sure to turn off the air blower before draining bath.
- Open drain by rotating drain knob clockwise.

DRYING CYCLE OPTIONS

STANDARD DRYING CYCLE

An automatic drying cycle will start 20 minutes after the blower is turned off. The blower LED blinks while waiting for the purge cycle.

24H PROGRAMMABLE DRYING CYCLE

The system must be stopped prior to activation or deactivation.

Activation: Determine at which time you wish to purge to activate. At that precise time, press and hold the second button on the keypad for 5 seconds, all LEDs will flash twice. The purge cycle will now start at the programmed time every 24 hrs. In the event of a power failure, the program will be automatically deactivated.

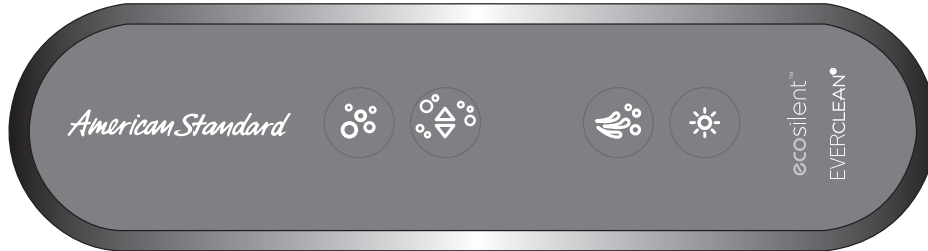
Deactivation: Press and hold the second button on the keypad for 5 seconds, all LEDs will flash once to confirm deactivation.




Operation: Combination Tub with Lights

BATHING:


- **IMPORTANT: DO NOT ADD BATH OILS OR SALTS** as they will damage the whirlpool pump and may harm the acrylic surface.
- Close drain by rotating Drain Overflow Knob **COUNTER-CLOCKWISE**
- Fill bath with water at a comfortable bathing temperature

OPERATING AIR MASSAGE and CHROMATHERAPY SYSTEM:



	<ul style="list-style-type: none"> • Press this button to turn blower on. • Press this button again to turn blower off.
	<ul style="list-style-type: none"> • Press and hold button to increase blower speed. Release button at desired speed. • Press and hold button to decrease speed. Release button at desired speed.
	<ul style="list-style-type: none"> • Press button to turn whirlpool pump on. • Press button to turn whirlpool pump off.

DISPLAY COLORS	
1 ST	WHITE
2 ND	SLOW RAINBOW CYCLE
3 TH	FAST RAINBOW CYCLE
4 TH	TURQUOISE
5 TH	BLUE
6 TH	MAGENTA
7 TH	RED
8 TH	ORANGE
9 TH	YELLOW
10 TH	GREEN
11 TH	RETURN TO SLOW RAINBOW CYCLE

	<ul style="list-style-type: none"> • To turn on Chromatherapy lights, press light button once. The cycle will start on white. • Turn off and on within 3 seconds; it will change to slow rainbow cycle and so on per the display color table shown above.
---	---

Operation: Combination Tub with Lights (continued)

EXITING THE BATH

- Be sure to turn off the air blower before draining bath.
- Open drain by rotating drain knob clockwise.

DRYING CYCLE OPTIONS

STANDARD DRYING CYCLE

An automatic drying cycle will start 20 minutes after the blower is turned off. The blower LED blinks while waiting for the purge cycle.

24H PROGRAMMABLE DRYING CYCLE

The system must be stopped prior to activation or deactivation.

Activation: Determine at which time you wish to purge to activate. At that precise time, press and hold the second button on the keypad for 5 seconds, all LEDs will flash twice. The purge cycle will now start at the programmed time every 24 hrs. In the event of a power failure, the program will be automatically deactivated.

Deactivation: Press and hold the second button on the keypad for 5 seconds, all LEDs will flash once to confirm deactivation.

Your American Standard whirlpool is designed to give you many years of pleasure with reasonable care and maintenance.

Your new acrylic bathtub is tough, durable and easy to care for. The colors have been formulated to match other American Standard fixtures and enhance your choice of bathroom decorations. The high gloss surface will retain its lasting luster with proper care and maintenance.

CLEANING AND MAINTENANCE:

- Always fill the tub with temperate water. Excessively hot water (greater than 130° F) may cause surface damage.
- Remove bath mat after use and hang to dry. Allowing bath mat to dry in the tub may cause surface damage.
- Clean after use with a mild liquid household detergent cleaner. Do not turn on jets when such cleaners are present.

Do not use: Lestoil® Cleaner; Lysol® Disinfectant (spray or concentrate); or Lysol® Basin, Tub and Tile Cleaner; Windex® Cleaner; Mr. Clean® Cleaner; Dow® Disinfectant Bathroom Cleaner*; or other cleaning products in aerosol cans.

HARSH CHEMICALS, SHARP AND ABRASIVE OBJECTS SHOULD NEVER BE USED ON ACRYLIC SURFACES

- Do not use wire brushes, knives or sharp objects to remove stains or other surface blemishes.
- Use of abrasive cleaners or powders will dull the surface. If the glossy surface loses its sheen, dulled areas can be partially restored by rubbing with a white automotive body polishing compound and waxing with a liquid wax.
Do not wax surfaces where you walk or stand.
- Do not allow nail polish remover, acetone, dry-cleaning fluid, paint remover, or other solvents to come into contact with the surface.
- Clean the surrounding surface immediately after using caustic drain cleaners.
Do not permit drain cleaner to enter circulation system.
- Burning cigarettes will irreparably damage the surface of the whirlpool.

CLEANING/PURGING THE CIRCULATION SYSTEM

Once every month the circulating system must be purged and cleaned. Follow the steps outlined below:

1. Fill whirlpool with warm water and add two teaspoons of powdered automatic dishwasher (not laundry) detergent and one-half cup of household bleach to filled whirlpool.
2. Activate whirlpool system in accordance with operating instructions and run system for two minutes.
3. Drain and refill whirlpool with cold water. Circulate for five minutes.
4. Drain whirlpool completely after step 3 (above) is completed.

For Troubleshooting and Repair Parts please log on to www.americanstandard-us.com

* Lestoil® is a registered trademark of The Clorox Company.
Lysol® is a registered trademark of The Linden Company.
Windex® is a registered trademark of S.C. Johnson and Son, Inc.
Mr. Clean® is a registered trademark of The Proctor and Gamble Company.
Dow® is a registered trademark of The Dow Chemical Company.

AS America, Inc. Limited Lifetime Warranty for Premium Acrylic Air Baths

AS America, Inc. ("American Standard") warrants to the original consumer purchaser that it will, at its option, repair or replace this whirlpool or any of its parts that are found by American Standard, in its sole judgment, to be defective under normal residential use and maintenance so long as it is owned by the original consumer purchaser.

This warranty shall only become effective upon receipt by American Standard of a completely filled out Warranty Registration Card evidencing proof of purchase.

This limited warranty does not apply to commercial installations. The warranty for commercial installations is three (3) years.

THIS WARRANTY SHALL BE VOID IF THE ACCESS PANEL TO THE WHIRLPOOL IS COVERED IN ANY MANNER CONTRARY TO THE INSTALLATION INSTRUCTIONS. In no event will American Standard be liable for the cost of repair or replacement of any installation materials including but not limited to tiles, marble etc.

This limited warranty DOES NOT COVER the following:

1. Defects or damages arising from shipping, installation, alterations, accidents, abuse, misuse, lack of proper maintenance and cleaning as directed in the owner's manual and use of other than genuine American Standard replacement parts, in all cases whether caused by a plumbing contractor, service company, the owner or any other person.
2. Deterioration through normal wear and tear and the expense of normal maintenance.
3. Commercial application.
4. Options and accessories. American Standard's limited warranty on these items is one year for parts only and excludes labor. This one year limited warranty covers accessories manufactured by American Standard (e.g. aprons, drains, grab bars, heaters, trim kits) against defects of material or workmanship. Warranty coverage begins on the date the accessory was originally purchased by the owner.
5. Postage or shipping costs for returning products for repairs or replacement under this limited warranty and labor or other costs incurred in connection with product removal or installation under this limited warranty.
6. ANY LIABILITY FOR CONSEQUENTIAL OR INCIDENTAL DAMAGES, ALL OF WHICH ARE HEREBY EXPRESSLY DISCLAIMED, OR THE EXTENSION BEYOND THE DURATION OF THIS LIMITED WARRANTY OF ANY IMPLIED WARRANTIES, INCLUDING THOSE OF MERCHANTABILITY OR FITNESS FOR AN INTENDED PURPOSE. (Some jurisdictions do not allow limitations on how long an implied warranty lasts, or the exclusion or limitation of incidental or consequential damages, so these limitations and exclusions may not apply to you.)
7. Responsibility for compliance with local code requirements. (Since local code requirements vary greatly distributors, retailers, dealers, installation contractors and users of plumbing products should determine whether there are any code restrictions on the installation or use of a specific product.)

This warranty gives you specific legal rights. You may have other legal rights that vary from state to state. For service under this warranty, you should contact the following:

In the United States:

American Standard Brands
1 Centennial Ave
Piscataway, New Jersey 08854
Attention: Director of Customer Care
For residents of the United States, warranty information may also be obtained by calling the following toll free number: (800) 442-1902
www.americanstandard.com

In Canada:

LIXIL Canada, ULC
5900 Avebury Rd.
Mississauga, Ontario
Canada L5R 3M3
Toll Free: (800) 387-0369
www.americanstandard.ca

In Mexico:

American Standard B&K Mexico
S. de R.L. de C.V.
Via Morelos #330
Col. Santa Clara
Ecatepec 55540 Edo. Mexico
Toll Free: 01-800-839-1200
www.americanstandard.com.mx

MANUAL DE INSTALACIÓN Y OPERACIÓN

*American
Standard*

MODELO 2742

MODELO 2748

MODELO 2806

MODELO 2903

MODELO 2932

MODELO 2934

MODELO 2938

MODELO 2940

MODELO 3571

MODELO 3572

MODELO 3573

MODELO 3574

MODELO 3575

MODELO 3581

BAÑERAS, BAÑERAS DE HIDROMASAJE Y BAÑERAS DE AIRE Y DE COMBINACIÓN CON CROMOTERAPIA OPCIONAL

GRACIAS...

por elegir una bañera American Standard. Su nueva bañera será enviada a su domicilio después de pasar por una inspección minuciosa. Las versiones de bañera de hidromasaje y de aire vienen completamente ensambladas con ventilador y sistema de tuberías. Todo lo que necesita para terminar la instalación son los accesorios seleccionados y las conexiones eléctricas.

Para asegurar un óptimo rendimiento y aprovechar al máximo este producto, siga las instrucciones y respete las advertencias.

Para atender sus preguntas o problemas de servicio, llame a Asistencia Técnica 1-(800)-442-1902.
No contacte con la tienda ni devuelva el producto.

ÍNDICE:

Aviso con instrucciones de seguridad.....	Página 3
Instrucciones de instalación y armazón/ Limpieza posterior a la instalación.....	Página 4
Referencias de dimensiones de instalación para instalaciones empotradas.....	Página 5
Referencias de dimensiones de instalación para instalaciones sobre el piso.....	Página 6
Instrucciones de montaje en la cubierta.....	Página 6
Referencias de dimensiones de instalación para las series de todos los modelos.....	Página 7
Instrucciones de instalación eléctrica.....	Página 18
Funcionamiento del calentador de bañera de hidromasaje.....	Página 23
Opción de ubicación de salidas de aire remotas.....	Página 24
Funcionamiento: Bañera de hidromasaje con velocidad simple.....	Página 26
Funcionamiento: Bañera de hidromasaje EcoSilent con luces.....	Página 27
Funcionamiento: Bañera de hidromasaje de aire.....	Página 28
Funcionamiento: Bañera de hidromasaje de aire con luces.....	Página 29
Funcionamiento: Bañera de combinación con luces.....	Página 31
Limpieza y mantenimiento.....	Página 33
Garantía.....	Página 34

INSTRUCCIONES DE SEGURIDAD IMPORTANTES INSTALACIÓN

¡LEA Y SIGA TODAS LAS INSTRUCCIONES!



ADVERTENCIA: *Riesgo de lesión física.* No permita que niños usen esta bañera sin la supervisión de un adulto. Nunca deje caer ni introduzca ningún objeto en las aberturas. No haga funcionar esta unidad sin la tapa protectora en el dispositivo de succión.



ADVERTENCIA: *Riesgo de descarga eléctrica.* No permita aparatos eléctricos cerca de la bañera cuando está llena de agua.



ADVERTENCIA: *Riesgo de hipertermia y posible asfixia por inmersión.* Las personas que están en tratamiento con prescripción médica y/o poseen un historial médico adverso deben consultar con su médico antes de usar este producto.



ADVERTENCIA: *Riesgo de lesión física.* No llene en exceso la bañera antes de usarla. Ingresar a la bañera cuando está llena más de 2/3 puede provocar el rebose de ésta y por ende, el piso puede quedar resbaladizo. Tenga cuidado al ingresar y salir de la bañera.



ADVERTENCIA: *Se prohíbe comer o beber bebidas alcohólicas en la bañera.* No es recomendable usar la bañera inmediatamente después de comer. Evite el consumo de alcohol antes o durante el baño. Las bebidas alcohólicas pueden causar somnolencia o hipertermia lo cual puede provocar la pérdida de consciencia incluso asfixia por inmersión.



ADVERTENCIA: *Embarazo.* Si usted está embarazada o piensa que lo está, consulte con su médico antes de usar la bañera.

Use esta unidad sólo de la forma en que se describe en este manual.
No use accesorios que no hayan sido recomendados por American Standard.

La unidad debe estar conectada sólo a un circuito de toma de corriente que esté protegido adecuadamente por un interruptor de circuito con pérdida a tierra (GFCI). Dicho GFCI debe ser proporcionado por la persona que hará la instalación y debe ser probado con regularidad. Para probar el GFCI, presione el botón de prueba. El GFCI debería interrumpir la energía eléctrica. Presione el botón para restablecer la energía. Se debería restablecer la energía eléctrica. Si el GFCI no funciona de esta manera significa que está defectuoso. Si el GFCI interrumpe la energía eléctrica de la bañera sin haber presionado el botón de prueba, significa que hay circulación de corriente a tierra y la posibilidad de electrocución. No use esta bañera de hidromasaje de aire. Desconéctela y pida a un electricista que arregle el problema antes de usarla.

GUARDE ESTAS INSTRUCCIONES

Instrucciones de instalación y armazón

Cada bañera viene lista para su instalación, totalmente equipada con los elementos electrónicos de bombas/salidas de aire y la plomería necesaria para su funcionamiento. Sin embargo, un juego de desagüe/rebose que no viene incorporado es necesario para cada bañera.

La variedad de instalaciones para esta bañera puede requerir procedimientos de armazón distintas a las que aparecen ilustradas. Ubique los pernos según se requiera. Asegúrese de que las dimensiones calculadas sean correctas, exactas y que cuadren.

- ⚠ Retire la la bañera de la caja. Guarde la caja del embalaje hasta que se haya hecho una inspección satisfactoria del producto. No levante la bañera de la plomería en ningún momento. Sólo manipúlela por el casco.
- ⚠ Antes del envío, en la fábrica se prueba el correcto funcionamiento de las bañeras y la estanqueidad de sus conexiones. Antes de la instalación, debe llenarse la bañera con agua y accionarse para revisar si existen fugas que podrían haber sido causadas por daños o maltrato durante el envío.
- ⚠ Los sumideros de estas bañeras están nivelados con pies y no es necesario un soporte adicional para sumideros. Cuando la bañera esté instalada, debe acuñarse el pie y sujetarse para que el borde de la bañera toque el travesaño o piso sin soportar peso.
- ⚠ Se deben tomar medidas en todas las instalaciones para dejar una abertura de acceso para el mantenimiento de la bomba/las salidas de aire de la bañera. A menos que se deje una abertura de acceso de al menos 12" x 24" (305 mm x 610 mm), el servicio de reparación de la garantía no se hará efectivo. Se recomienda dejar una abertura adicional para el acceso a los componentes de drenaje.
- ⚠ Cada bañera tiene longitud (L), ancho (W) y altura (H) nominales y una altura de borde. A menos que se indique lo contrario en las siguientes referencias de dimensiones de instalación, dé por supuesto que las tolerancias nominales son de hasta +/-1/4 pulgadas (6 mm). Por lo tanto, se recomienda que el instalador construya la estructura circundante después de que haya recibido la bañera. Deben verificarse las medidas de la estructura cuando se haya recibido la bañera para garantizar un ajuste correcto.

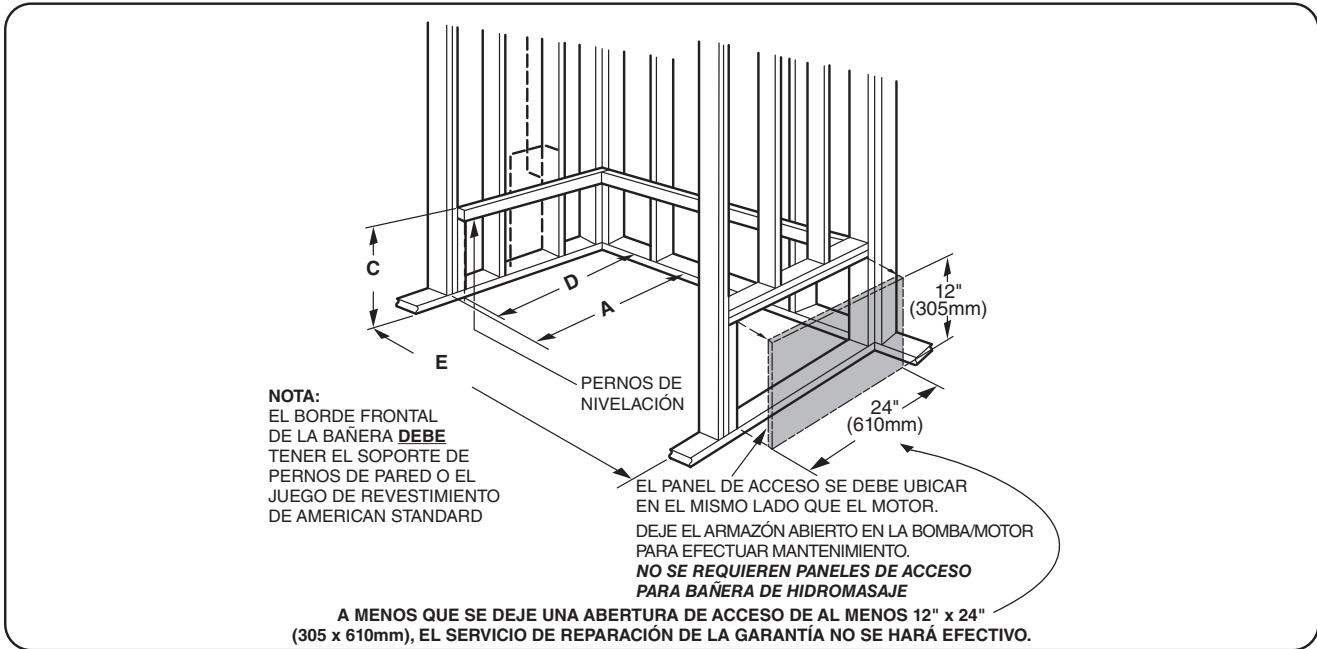
LIMPIEZA POSTERIOR A LA INSTALACIÓN

Retire todos los residuos de materiales de construcción que hayan quedado en la bañera. El mortero de los azulejos se puede quitar con un palito de paleta o una espátula médica de madera. No use cepillos metálicos o cualquier otro implemento de metal en la superficie de la bañera.

Por lo general, la limpieza posterior a la instalación se puede realizar usando agua tibia y un lavalozas líquido. La suciedad o las manchas difíciles de quitar se pueden remover usando un producto como Spic and Span® o su equivalente mezclado con agua.

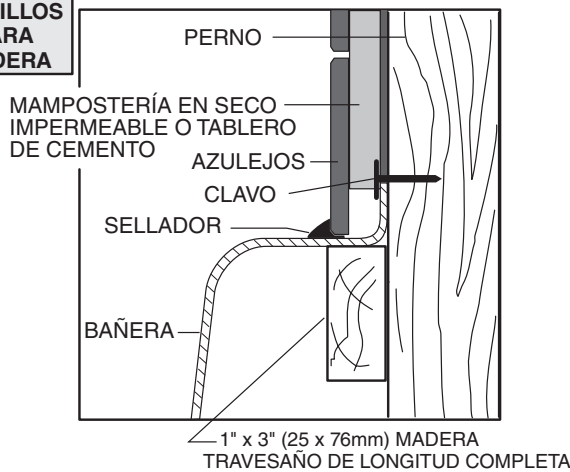
También se puede usar diluyente para quitar el exceso de adhesivo y/o pintura oleosa fresca.

REFERENCIAS DE DIMENSIONES DE INSTALACIÓN PARA INSTALACIONES EMPOTRADAS

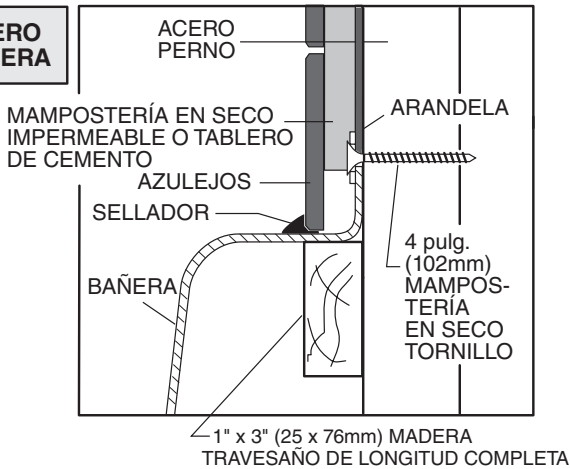


INSTALACIÓN DE BRIDA DE AZULEJOS TÍPICA

TORNILLOS PARA MADERA

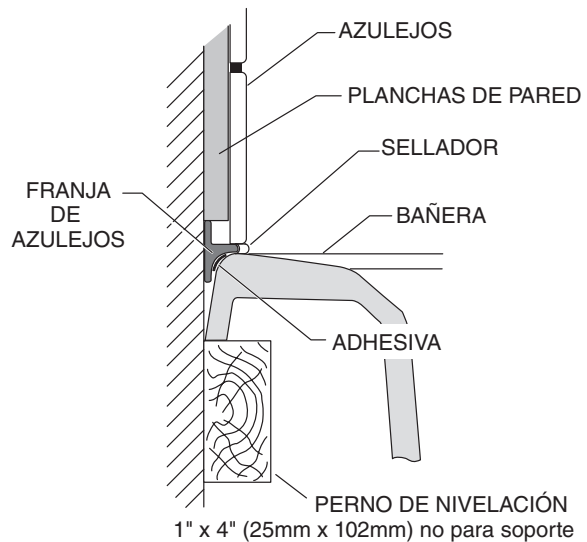


ACERO MADERA



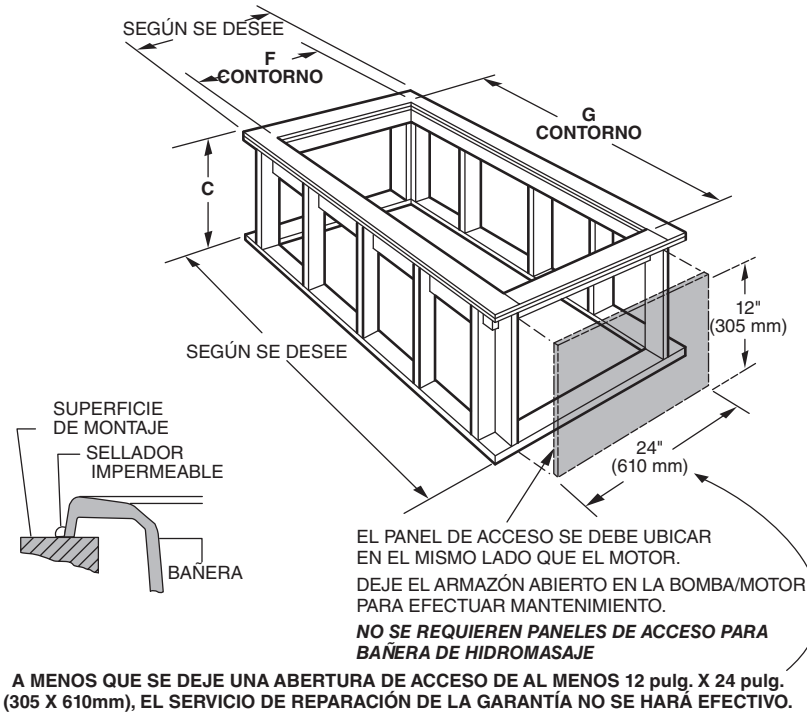
FIJE LA BAÑERA A LOS PERNOS COMO SE MUESTRA PARA LA CONSTRUCCIÓN CON PERNOS PARA MADERA O ACERO.

INSTALACIÓN DE CAPA DE AZULEJOS TÍPICA



NOTA: El juego de azulejos no se incluye y se debe comprar por separado.

REFERENCIAS DE DIMENSIONES DE INSTALACIÓN PARA INSTALACIONES SOBRE EL PISO

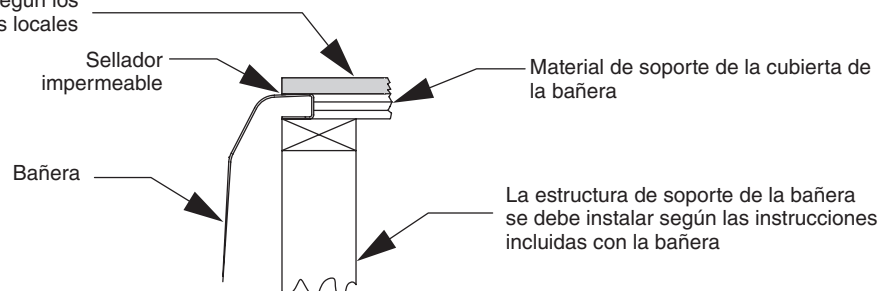


INSTRUCCIONES DE MONTAJE EN LA CUBIERTA

Recuerde que debe tener cuidado para proteger la superficie de la bañera durante todas las etapas de la instalación. No perforo ni corte la cubierta si tiene la bañera directamente debajo ya que puede dañar la superficie.

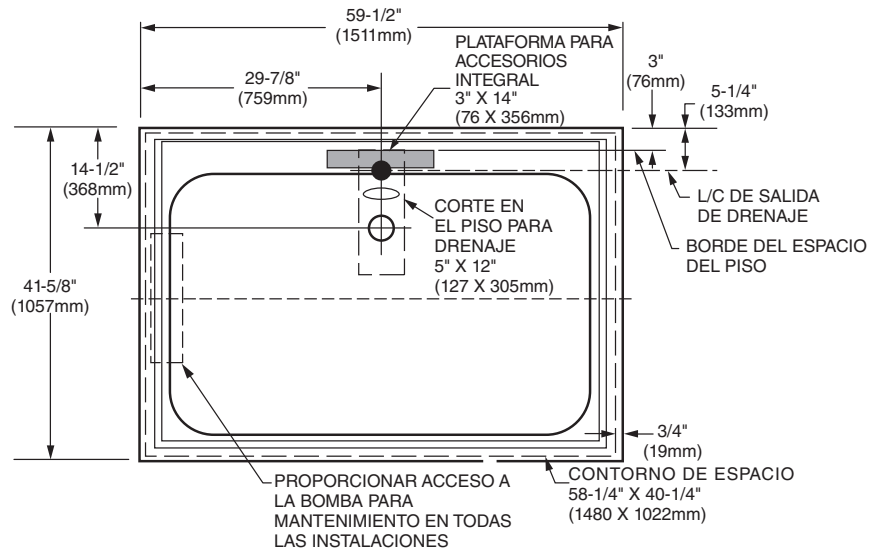
1. Instale la bañera de acuerdo con las instrucciones de instalación que se incluyen con la unidad.
2. Prepare la estructura de soporte de la cubierta de la bañera según los códigos locales. Nota: la cubierta de la bañera debe tener soporte independiente.
3. Corte la cubierta de la bañera según las especificaciones.
4. Ubique la cubierta en su posición y trace la abertura en la bañera con un lápiz suave. No perforo ni corte la cubierta si tiene la bañera directamente debajo ya que puede dañar la superficie.
5. Retire la cubierta de la bañera y aplique una capa generosa de sellador impermeable en el borde exterior de la línea trazada.
6. Vuelva a colocar la cubierta y fíjela en su lugar.
7. Aplique más sellador a lo largo de la superficie de contacto entre la bañera y la cubierta según sea necesario para asegurar un sellado hermético.
8. Retire el exceso de sellador según las instrucciones del fabricante.

El material de acabado de la superficie de la cubierta de la bañera debe tener soporte independiente y estar instalado según los códigos locales

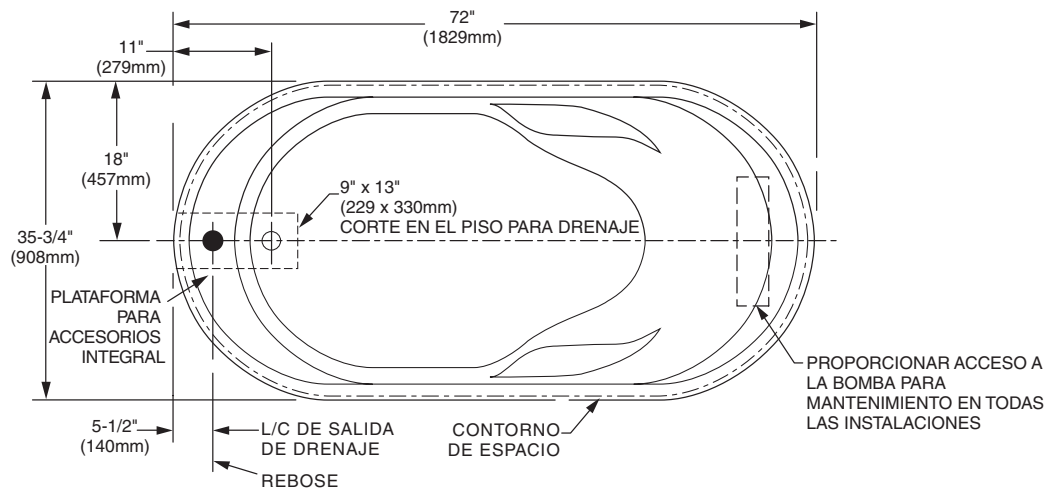


DIAGRAMAS DE INSTALACIÓN

MODELO SERIE 2748

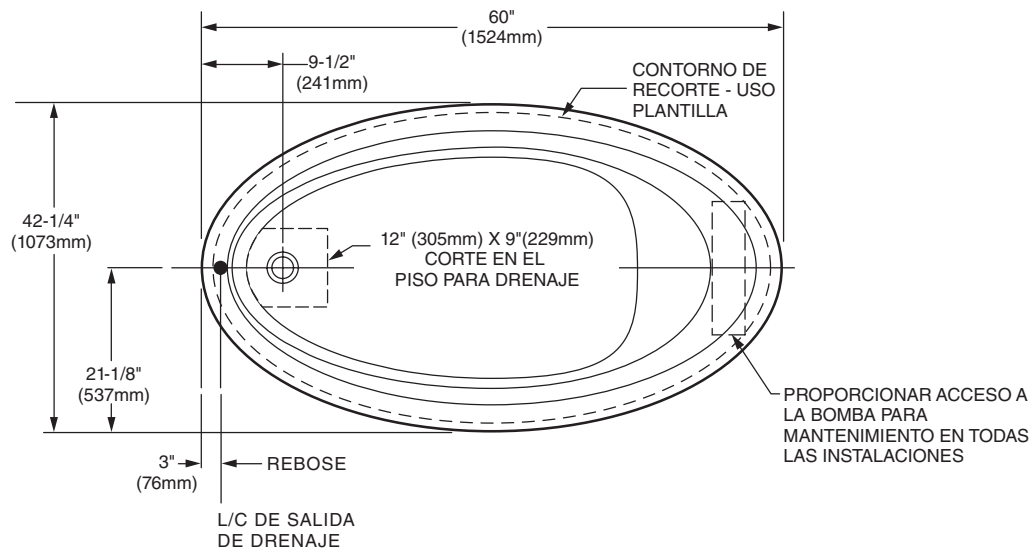


MODELO SERIE 2806

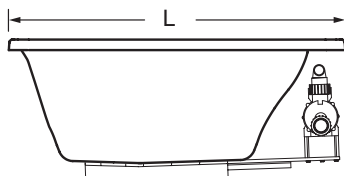


DIAGRAMAS DE INSTALACIÓN

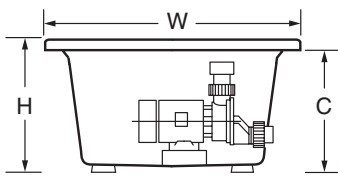
MODELO SERIE 2903



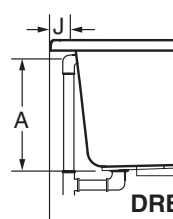
ESPECIFICACIONES:



VISTA LATERAL



VISTA FRONTAL



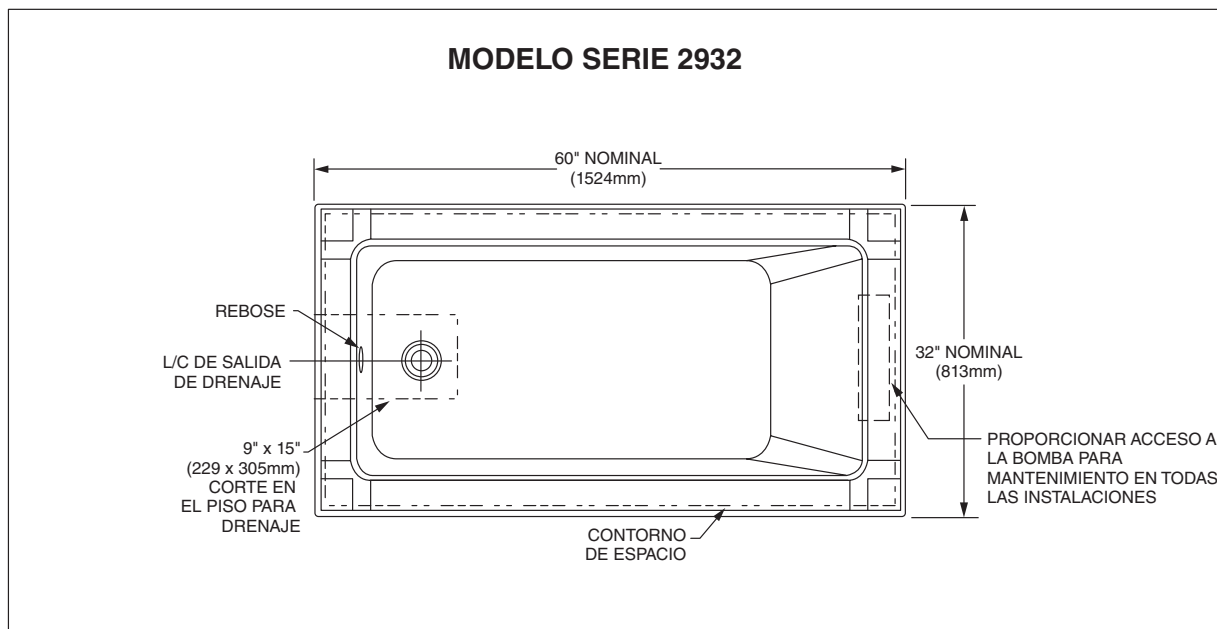
DRENAJE /
DESBORDE

ESPECIFICACIONES GENERALES PARA STUDIO 5' X 32" BAÑERAS ESTÁNDAR Y BAÑERAS DE HIDROMASAJE

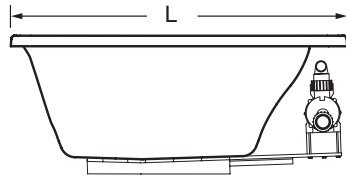
Descripción	Moldura de la cubierta opcional	Dimensiones L-W-H	Drenaje / Desborde	Hauteur de la surface inférieure du bord de tablier : C	Espacio en el piso G x F	Orificio de instalación E x D	Borde de bañera a desagüe de la línea central: J	Peso con Agua / Piso Carga	Producto Peso	Galones para Desagüe	Volumen de funcionamiento de la bañera
2932 Studio 5' x 32"	Cero (5/8")	L 59-1/2" (1511mm) W 31-1/2" (800mm) H 22-1/2" (572mm)	A 17-3/4" (451mm) B 10-3/4" (273mm)	C 21-7/8" (556mm)	58" (1473mm) x 30" (762mm)	59-11/16" (1516mm) x 30" (762mm)	3-1/4" (83mm)	581 lb. (264 kg)/ 44 lb./sq.ft. (213 kg/sq.m)	90 lb. (198 kg.)	59 gal. (224 l.)	54 gal. (205 l.)
2932 Studio 5' x 32"	2"	L 59-3/4" (1518mm) W 31-3/4" (806mm) H 22-1/2" (572mm)	A 17-3/4" (451mm) B 10-7/8" (276mm)	C 20-1/2" (521mm)	58-1/4" (1480mm) x 30-1/4" (768mm)	59-15/16" (1522mm) x 30-1/4" (768mm)	3-1/4" (83mm)	581 lb. (264 kg)/ 44 lb./sq.ft. (213 kg/sq.m)	90 lb. (198 kg.)	59 gal. (224 l.)	54 gal. (205 l.)

TABLA 2

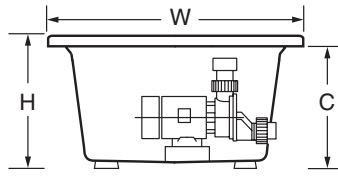
DIAGRAMAS DE INSTALACIÓN



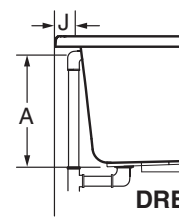
ESPECIFICACIONES:



VISTA LATERAL



VISTA FRONTAL



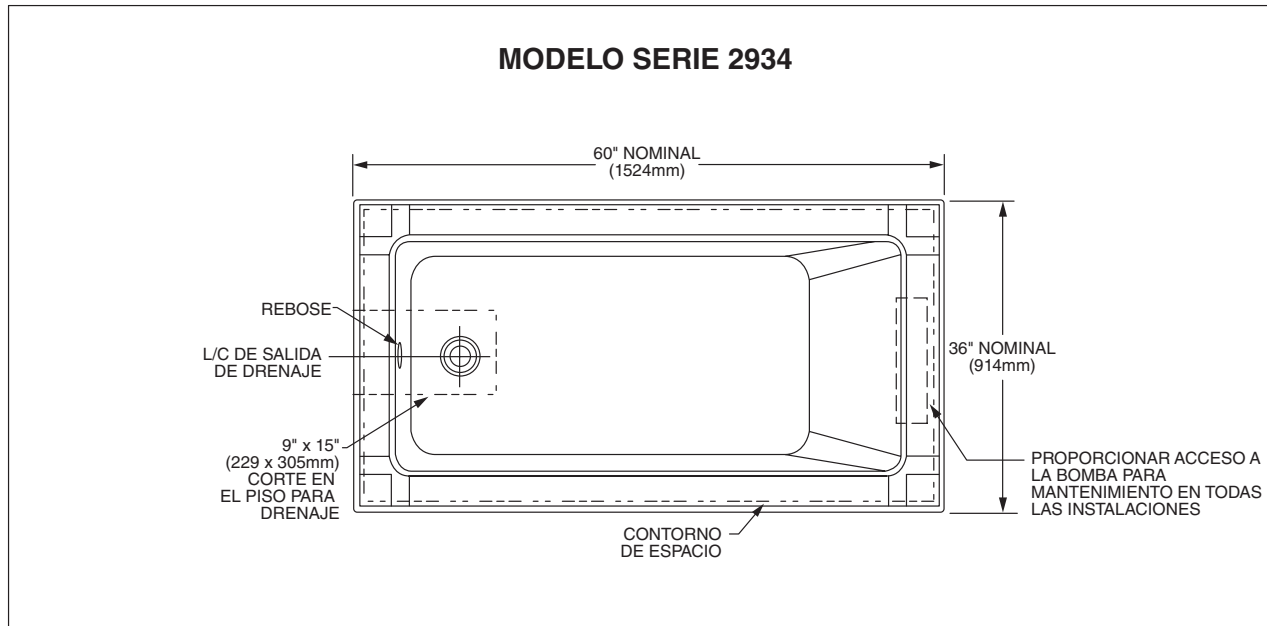
**DRENAJE /
DESBORDE**

ESPECIFICACIONES GENERALES PARA STUDIO 5' X 36" BAÑERAS ESTÁNDAR Y BAÑERAS DE HIDROMASAJE

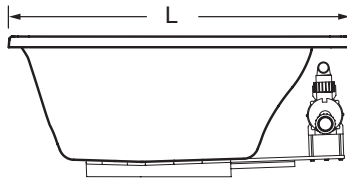
Descripción	Moldura de la cubierta opcional	Dimensiones L-W-H	Drenaje / Desborde	Hauteur de la surface inférieure du bord de tablier : C	Espacio en el piso G x F	Orificio de instalación E x D	Borde de bañera a desagüe de la línea central: J	Peso con Agua / Piso Carga	Producto Peso	Galones para Desagüe	Volumen de funcionamiento de la bañera
2934 Studio 5' x 36"	Cero (5/8")	L 59-1/2" (1511mm) W 35-1/2" (902mm) H 22-1/2" (572mm)	A 17-3/4" (451mm) B 10-3/4" (273mm)	C 21-7/8" (556mm)	58" (1473mm) x 34" (864mm)	59-11/16" (1516mm) x 34" (864mm)	3-1/4" (83mm)	686 lb. (311 kg)/ 46 lb./sq.ft. (223 kg/sq.m)	95 lb. (209 kg.)	71 gal. (269 l.)	64 gal. (243 l.)
2934 Studio 5' x 36"	2"	L 59-3/4" (1518mm) W 35-3/4" (908mm) H 22-1/2" (572mm)	A 17-3/4" (451mm) B 10-7/8" (276mm)	C 20-1/2" (521mm)	58-1/4" (1480mm) x 34-1/4" (870mm)	59-15/16" (1522mm) x 34-1/4" (870mm)	3-1/4" (83mm)	686 lb. (311 kg)/ 46 lb./sq.ft. (223 kg/sq.m)	95 lb. (209 kg.)	71 gal. (269 l.)	64 gal. (243 l.)

TABLA 3

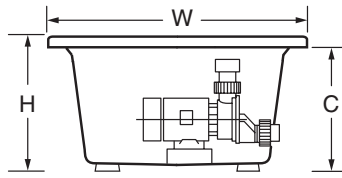
DIAGRAMAS DE INSTALACIÓN



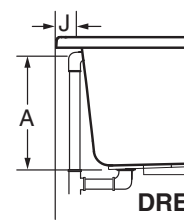
ESPECIFICACIONES:



VISTA LATERAL



VISTA FRONTAL



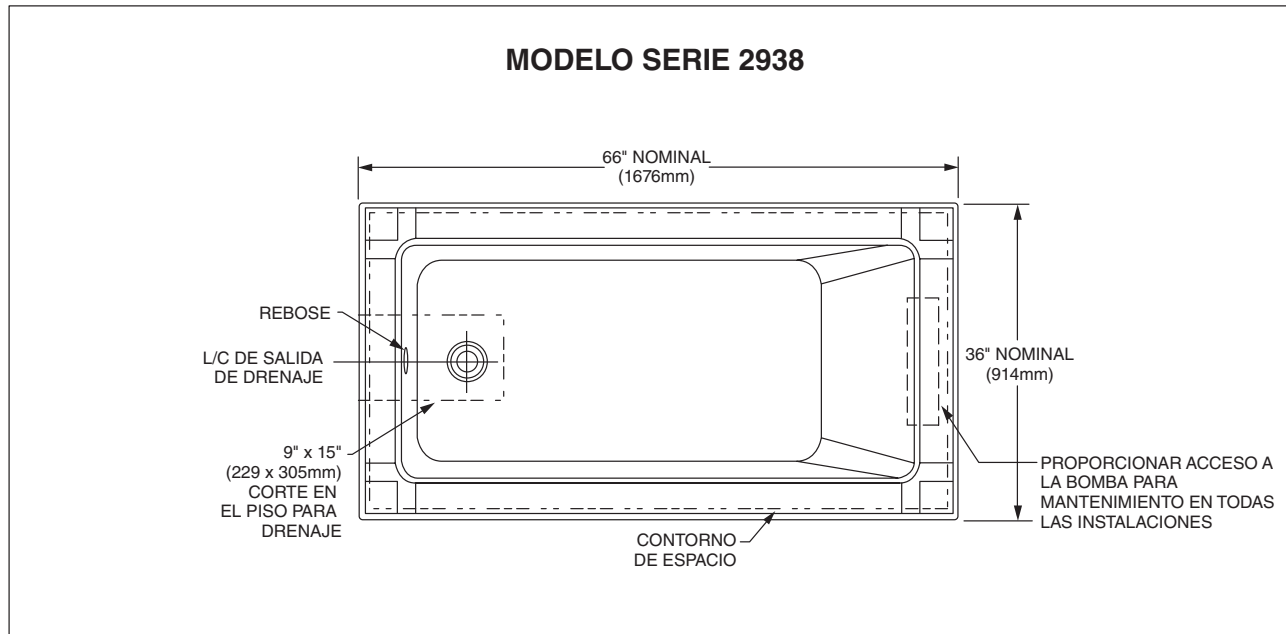
DRENAJE /
DESBORDE

ESPECIFICACIONES GENERALES PARA STUDIO 5-1/2' X 36" BAÑERAS ESTÁNDAR Y BAÑERAS DE HIDROMASAJE

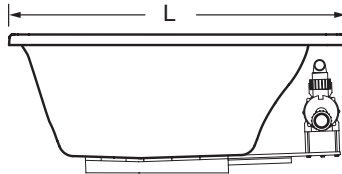
Descripción	Moldura de la cubierta opcional	Dimensiones L-W-H	Drenaje / Desborde	Hauteur de la surface inférieure du bord de tablier : C	Espacio en el piso G x F	Orificio de instalación E x D	Borde de bañera a desagüe de la línea central: J	Peso con Agua / Piso Carga	Producto Peso	Galones para Desagüe	Volumen de funcionamiento de la bañera
2938 Studio 5-1/2' x 36"	Cero (5/8")	L 65-1/2" (1664mm) W 35-1/2" (902mm) H 22-1/2" (572mm)	A 17-3/4" (451mm) B 10-3/4" (273mm)	C 21-7/8" (556mm)	64" (1626mm) x 34" (864mm)	65-11/16" (1668mm) x 34" (864mm)	3-1/4" (83mm)	766 lb. (348 kg)/ 46 lb./sq.ft. (227 kg/sq.m)	100 lb. (220 kg.)	80 gal. (303 l.)	73 gal. (277 l.)
2938 Studio 5-1/2' x 36"	2"	L 65-3/4" (1670mm) W 35-3/4" (908mm) H 22-1/2" (572mm)	A 17-3/4" (451mm) B 10-7/8" (276mm)	C 20-1/2" (521mm)	64-1/4" (1632mm) x 34-1/4" (870mm)	65-15/16" (1675mm) x 34-1/4" (870mm)	3-1/4" (83mm)	766 lb. (348 kg)/ 46 lb./sq.ft. (227 kg/sq.m)	100 lb. (220 kg.)	80 gal. (303 l.)	73 gal. (277 l.)

TABLA 4

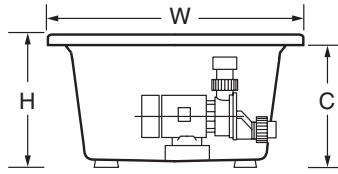
DIAGRAMAS DE INSTALACIÓN



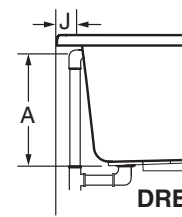
ESPECIFICACIONES:



VISTA LATERAL



VISTA FRONTAL



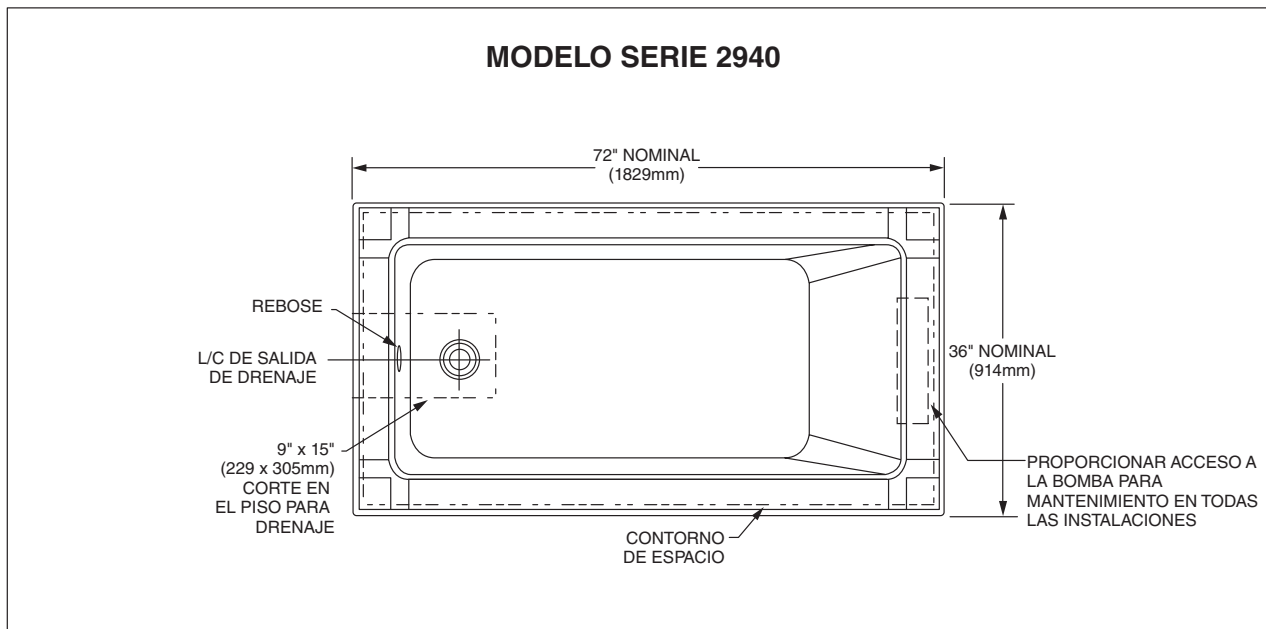
DRENAJE /
DESBORDE

ESPECIFICACIONES GENERALES PARA STUDIO 6' X 36" BAÑERAS ESTÁNDAR Y BAÑERAS DE HIDROMASAJE

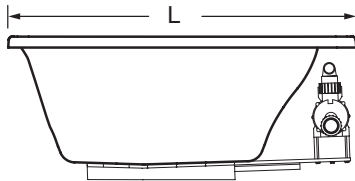
Descripción	Moldura de la cubierta opcional	Dimensiones L-W-H	Drenaje / Desborde	Hauteur de la surface inférieure du bord de tablier : C	Espacio en el piso G x F	Orificio de instalación E x D	Borde de bañera a desagüe de la línea central: J	Peso con Agua / Piso Carga	Producto Peso	Galones para Desagüe	Volumen de funcionamiento de la bañera
2940 Studio 6' x 36"	Cero (5/8")	L 71-1/2" (1816mm) W 35-1/2" (902mm) H 22-1/2" (572mm)	A 17-3/4" (451mm) B 10-3/4" (273mm)	C 21-7/8" (556mm)	70" (1778mm) x 34" (864mm)	71-11/16" (1821mm) x 34" (864mm)	3-1/4" (83mm)	846 lb. (384 kg)/ 47 lb./sq.ft. (230 kg/sq.m)	105 lb. (231 kg.)	89 gal. (337 l.)	81 gal. (307 l.)
2940 Studio 6' x 36"	2"	L 71-3/4" (1822mm) W 35-3/4" (908mm) H 22-1/2" (572mm)	A 17-3/4" (451mm) B 10-7/8" (276mm)	C 20-1/2" (521mm)	70-1/4" (1784mm) x 34-1/4" (870mm)	71-15/16" (1827mm) x 34-1/4" (870mm)	3-1/4" (83mm)	846 lb. (384 kg)/ 47 lb./sq.ft. (230 kg/sq.m)	105 lb. (231 kg.)	89 gal. (337 l.)	81 gal. (307 l.)

TABLA 5

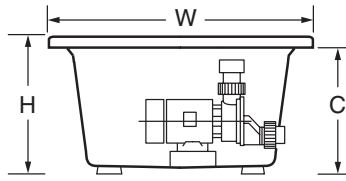
DIAGRAMAS DE INSTALACIÓN



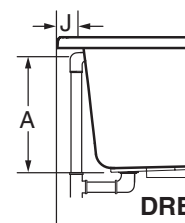
ESPECIFICACIONES:



VISTA LATERAL



VISTA FRONTAL



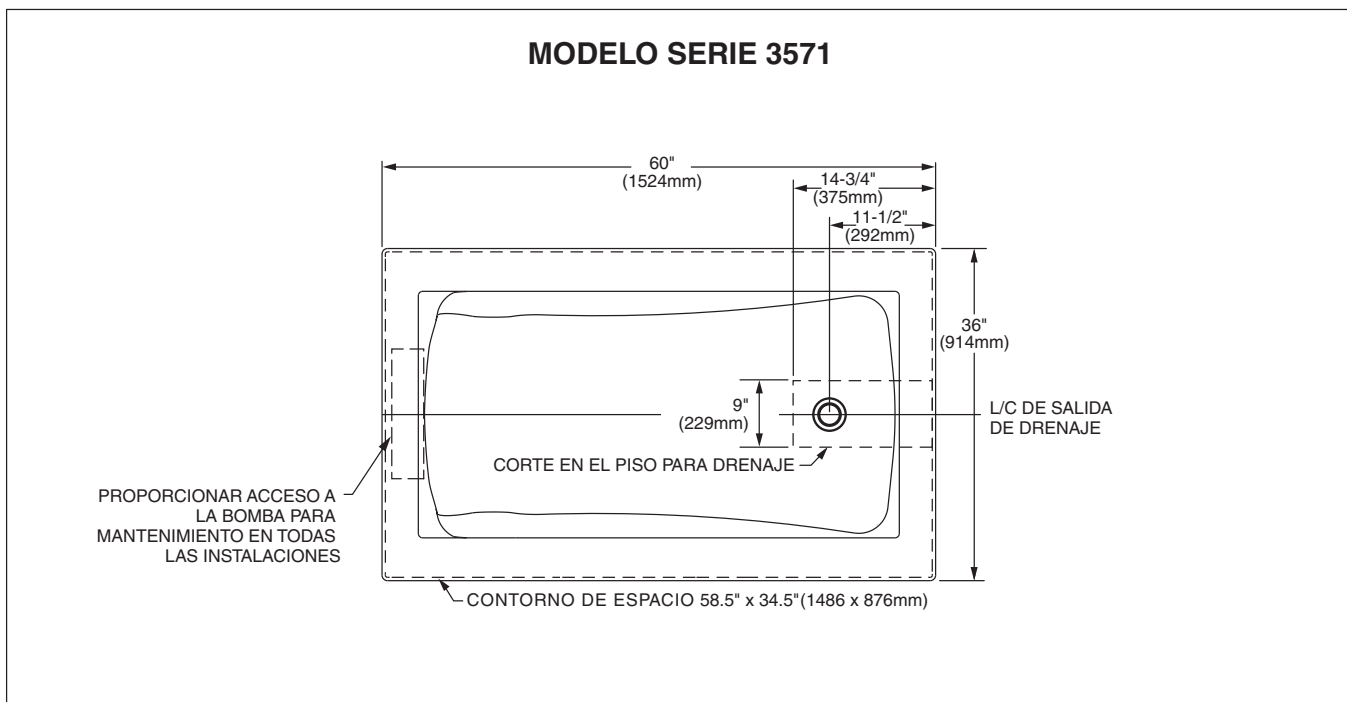
DRENAJE /
DESBORDE

ESPECIFICACIONES GENERALES PARA GREEN TEA BAÑERAS ESTÁNDAR Y BAÑERAS DE HIDROMASAJE

Descripción	Dimensiones L-W-H	Drenaje / Desborde	Altura hasta la parte inferior del borde de la superficie plana: C	Espacio en el piso G x F	Orificio de instalación E x D	Borde de bañera a desagüe de la línea central: J	Peso con Agua / Piso Carga	Producto Peso	Galones para Desagüe	Volumen de funcionamiento de la bañera
3571 Green Tea 5' x 36"	L 60" (1524mm) W 36" (914mm) H 21" (533mm)	A 16" (406mm) B 11-1/2" (349mm)	C 19" (483mm)	58-1/2" (1485mm) x 34-1/2" (876mm)	60-3/16" (1529mm) x 34-1/2" (876mm)	3-1/2" (89mm)	519 lb. (236 kg)/ 35 lb./sq.ft. (171 kg/sq.m)	86 lb. (39 kg.)	52 gal. (197 l.)	38 gal. (144 l.)
3572 Green Tea 5-1/2' x 36"	L 66" (1676mm) W 36" (914mm) H 21" (533mm)	A 16" (406mm) B 11-1/2" (349mm)	C 19" (483mm)	64-1/2" (1638mm) x 34-1/2" (876mm)	66-3/16" (1681mm) x 34-1/2" (876mm)	3-3/4" (95mm)	592 lb. (269 kg)/ 36 lb./sq.ft. (176 kg/sq.m)	100 lb. (45 kg.)	59 gal. (223 l.)	44 gal. (166 l.)
3573 Green Tea 6' x 36"	L 72" (1829mm) W 36" (914mm) H 21" (533mm)	A 16" (406mm) B 11-1/2" (349mm)	C 19" (483mm)	70-1/2" (1791mm) x 34-1/2" (876mm)	72-3/16" (1834mm) x 34-1/2" (876mm)	3-1/2" (89mm)	665 lb. (302 kg)/ 37 lb./sq.ft. (181 kg/sq.m)	115 lb. (52 kg.)	66 gal. (250 l.)	49 gal. (185 l.)
3574 Green Tea 5' x 42"	L 60" (1524mm) W 42" (1067mm) H 21" (533mm)	A 16" (406mm) B 11-1/2" (349mm)	C 19" (483mm)	58-1/2" (1485mm) x 40-1/2" (1029mm)	60-3/16" (1528mm) x 40-1/2" (1029mm)	3-1/8" (79mm)	656 lb. (298 kg)/ 38 lb./sq.ft. (186 kg/sq.m)	115 lb. (52 kg.)	65 gal. (246 l.)	47 gal. (178 l.)
3575 Green Tea 6' x 42"	L 72" (1829mm) W 42" (1067mm) H 21" (533mm)	A 16" (40 mm) B 11-1/2" (349mm)	C 19" (483mm)	70-1/2" (1791mm) x 40-1/2" (1029mm)	72-3/16" (1834mm) x 40-1/2" (1029mm)	3-1/2" (89mm)	785 lb. (356 kg)/ 37 lb./sq.ft. (181 kg/sq.m)	127 lb. (57 kg.)	79 gal. (299 l.)	58 gal. (219 l.)

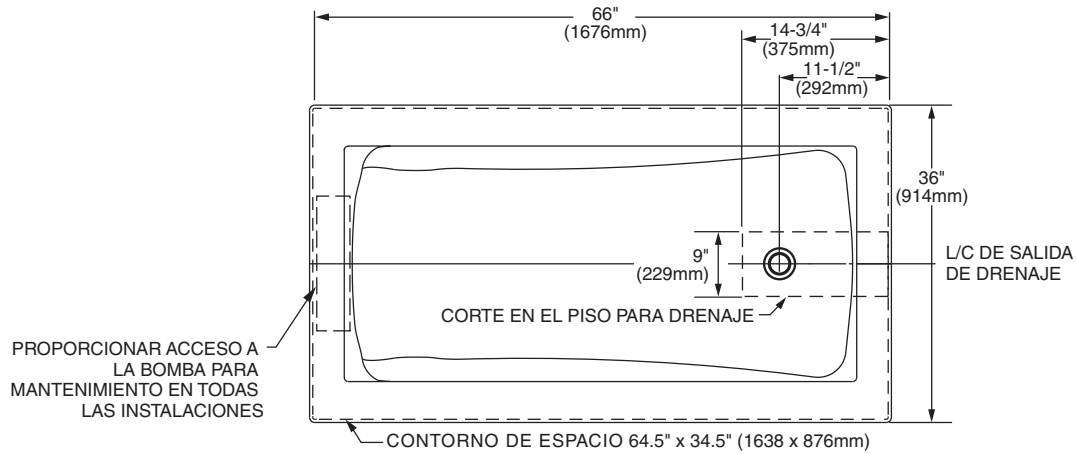
TABLA 6

DIAGRAMAS DE INSTALACIÓN

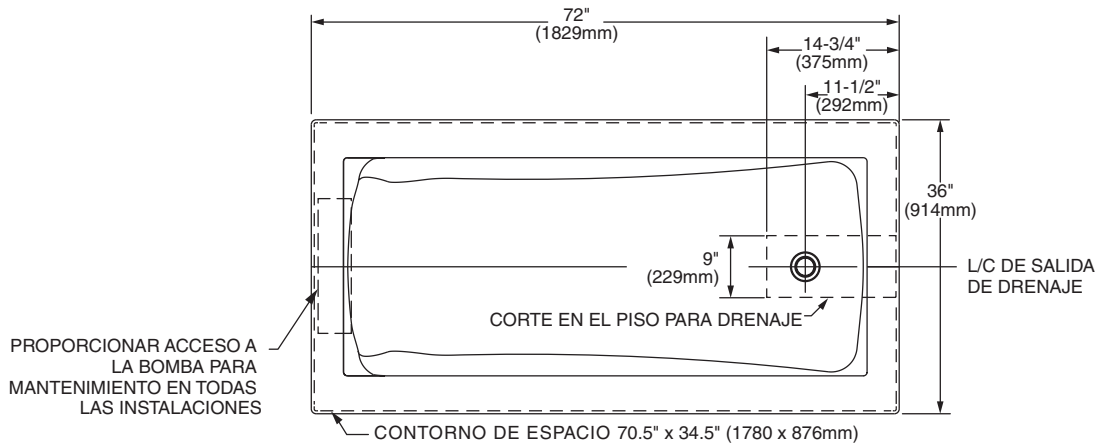


DIAGRAMAS DE INSTALACIÓN

MODELO SERIE 3572

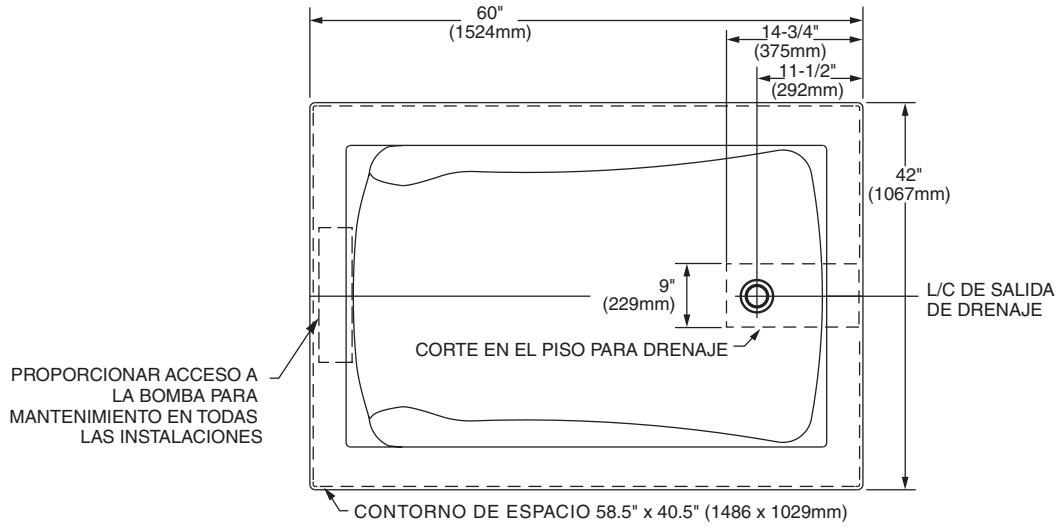


MODELO SERIE 3573

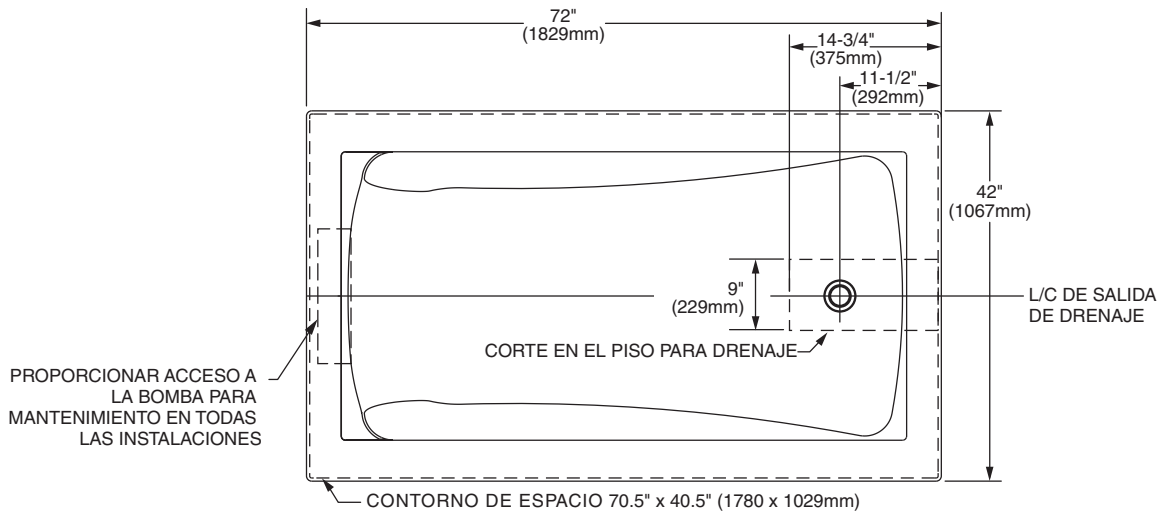


DIAGRAMAS DE INSTALACIÓN

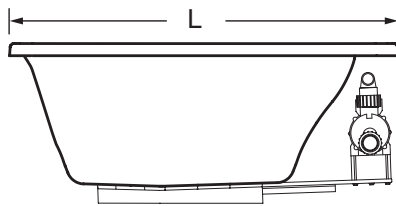
MODELO SERIE 3574



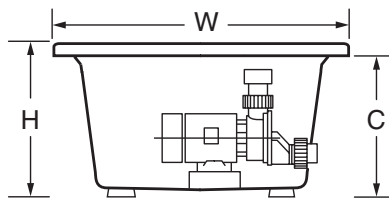
MODELO SERIE 3575



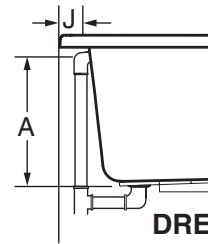
ESPECIFICACIONES:



VISTA LATERAL



VISTA FRONTAL



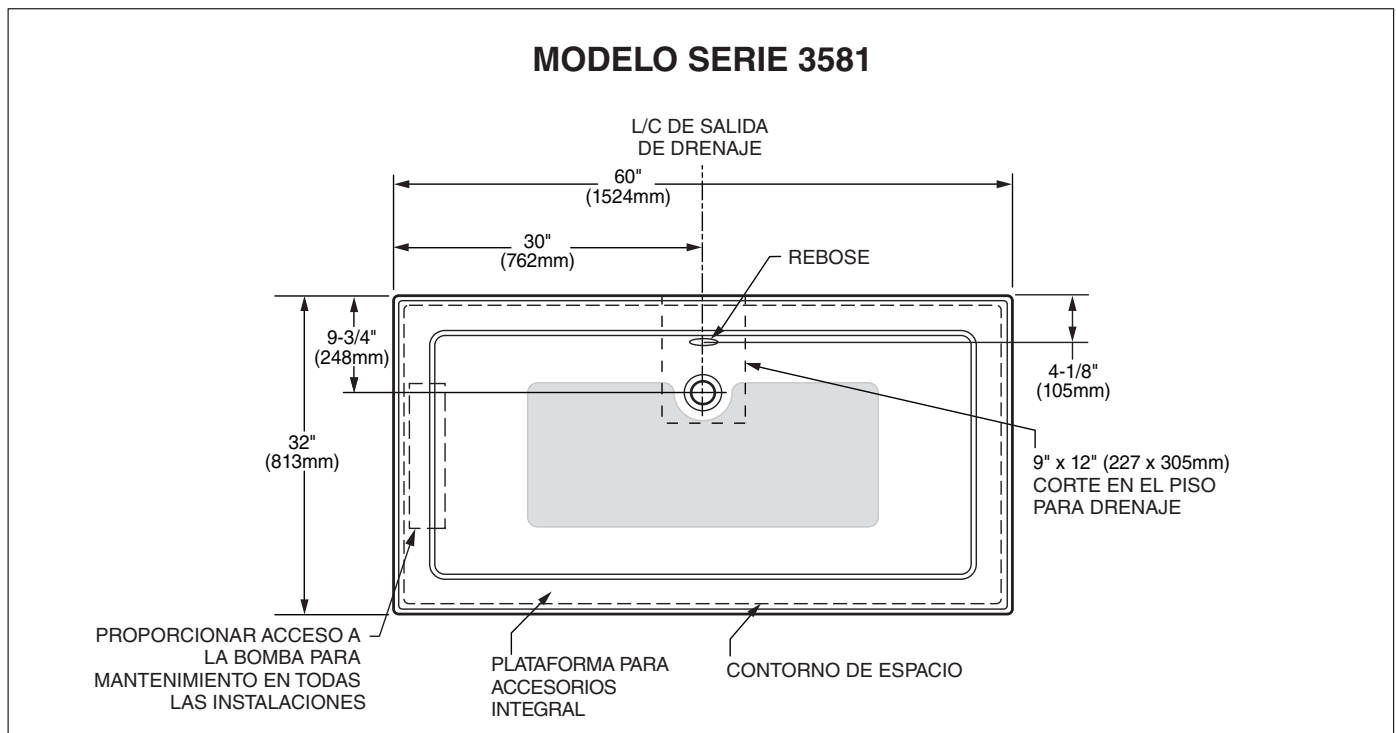
DRENAJE /
DESBORDE

ESPECIFICACIONES GENERALES PARA SERIN BAÑERAS ESTÁNDAR Y BAÑERAS DE HIDROMASAJE

Descripción	Dimensiones L-W-H	Drenaje / Desborde	Altura hasta la parte inferior del borde de la superficie plana: C	Espacio en el piso G x F	Orificio de instalación E x D	Borde de bañera a desagüe de la línea central: J	Peso con Agua / Piso Carga	Producto Peso	Galones para Desagüe	Volumen de funcionamiento de la bañera
3581 Serin 5' x 32"	L 60" (1524mm) W 32" (813mm) H 23" (584mm)	A 16-3/4" (425mm) B 10-1/4" (260mm)	C 20" (508mm)	58-1/2" (1486mm) x 30-1/2" (775mm)	60-3/16" (1529mm) x 30-1/2" (775mm)	4-1/8" (105mm)	536 lb. (244 kg)/ 40 lb./sq.ft. (193 kg/sq.m)	85 lb. (37 kg.)	54 gal. (204 l.)	49 gal. (186 l.)

TABLA 7

DIAGRAMAS DE INSTALACIÓN



INSTRUCCIONES DE INSTALACIÓN ELÉCTRICA

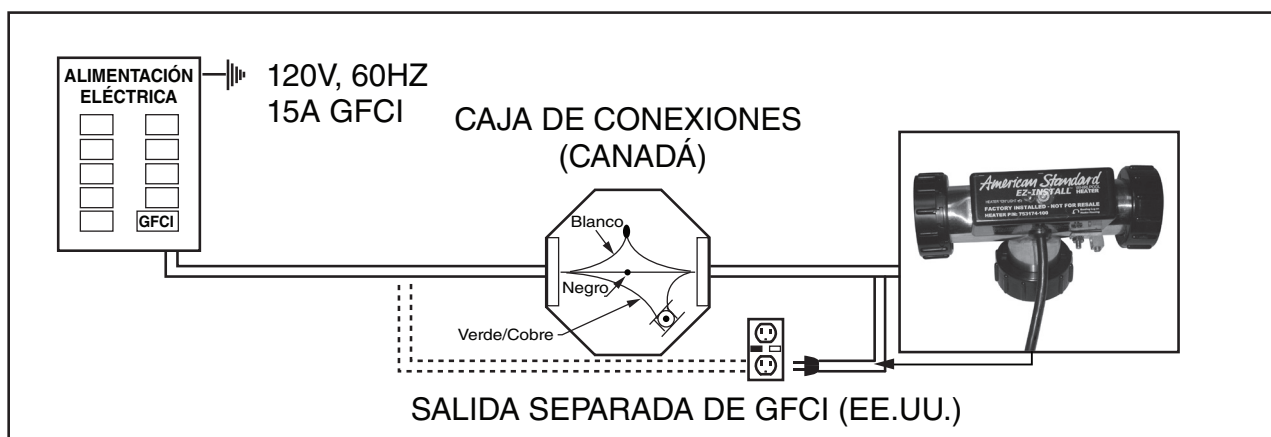
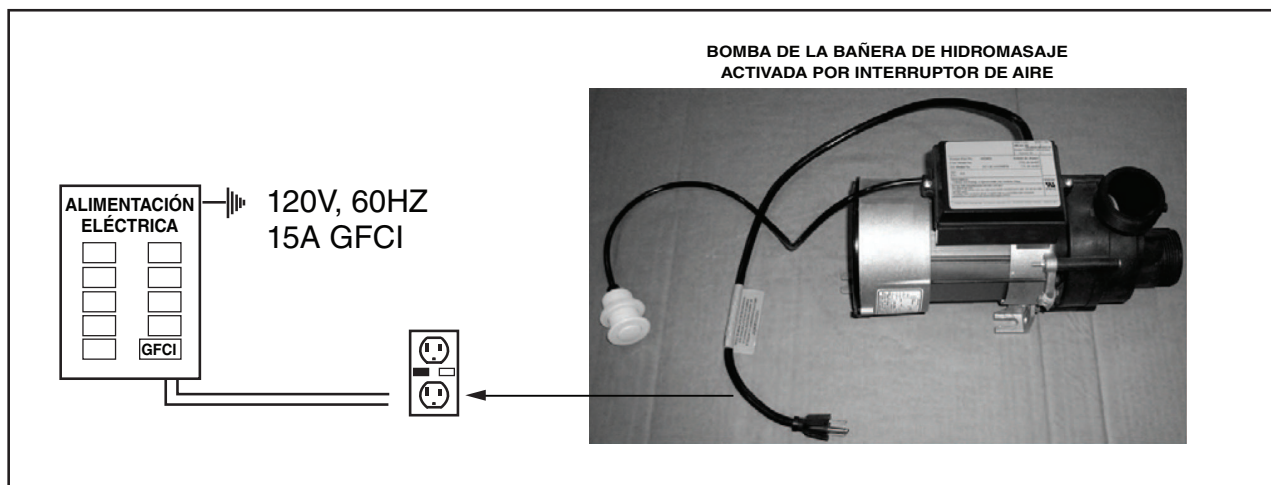
Un electricista autorizado debe realizar toda la instalación según el código nacional de electricidad y otros códigos y normas correspondientes.

⚠️ ADVERTENCIA: Cuando se está en contacto con productos eléctricos, siempre hay que tomar precauciones básicas entre las cuales se incluyen:

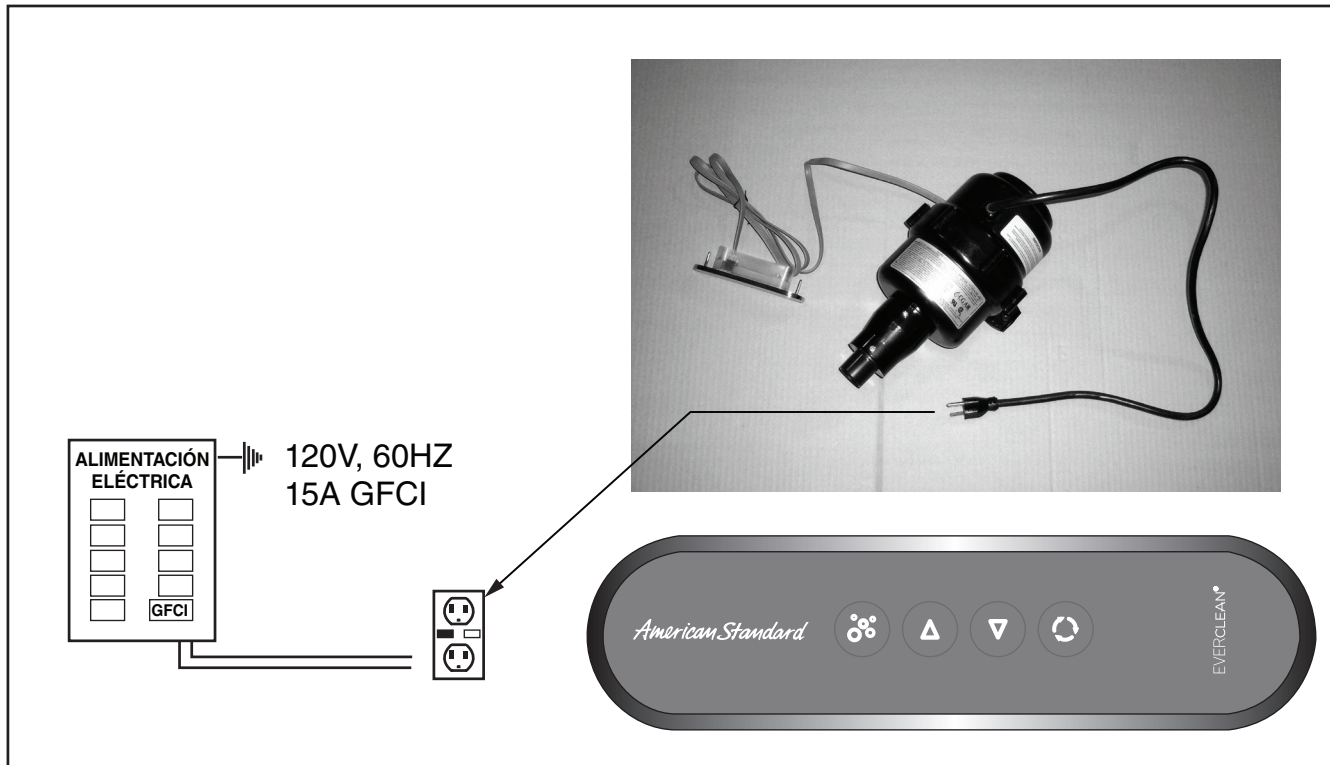
1. **PELIGRO: RIESGO DE DESCARGA ELÉCTRICA** Conecte la unidad sólo a un circuito protegido por un interruptor de circuito con pérdida a tierra.
2. Se requiere conexión a tierra. La unidad debe ser instalada por un electricista autorizado, quien también deberá encargarse de la puesta a tierra.
3. Deje un acceso para el mantenimiento del motor como se indica.
4. Todos los materiales de construcción y de instalación eléctrica se deben mantener alejados del cuerpo de la bomba y del calentador (si está equipado).

Consulte la instalación eléctrica apropiada para la bañera en el diagrama esquemático siguiente. Se necesitan circuitos dedicados de 15 A con protección GFCI (Interruptor de circuito con pérdida a tierra).

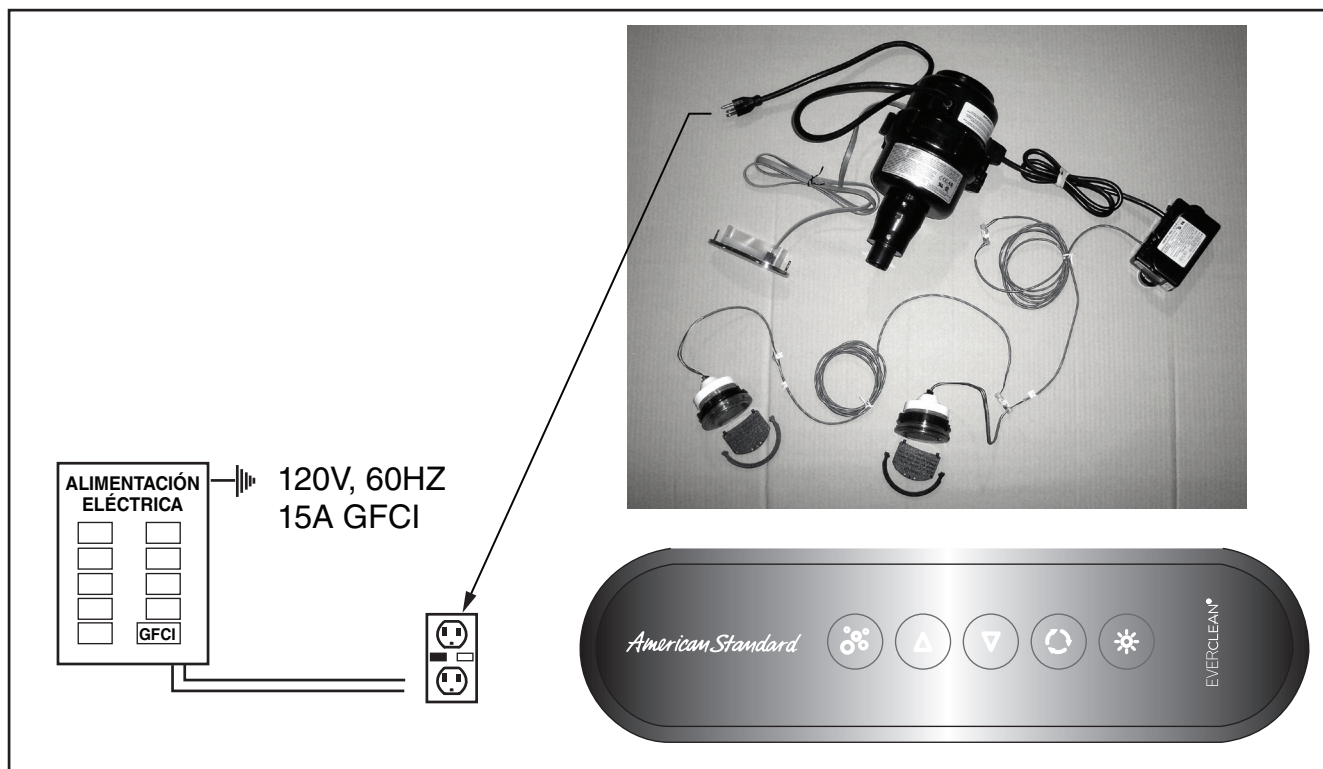
En el arranque inicial con la unidad encendida, presione el botón de prueba de GFCI. El botón para restablecer la energía debería saltar. Presione este botón para restablecerla. Si el GFCI no funciona de esta manera, significa que existe una falla o desperfecto, lo cuál indica una posibilidad de electrocución. Apague la unidad y no use la bañera hasta que la causa del problema se haya identificado y arreglado.



INSTRUCCIONES DE INSTALACIÓN ELÉCTRICA (continuación)

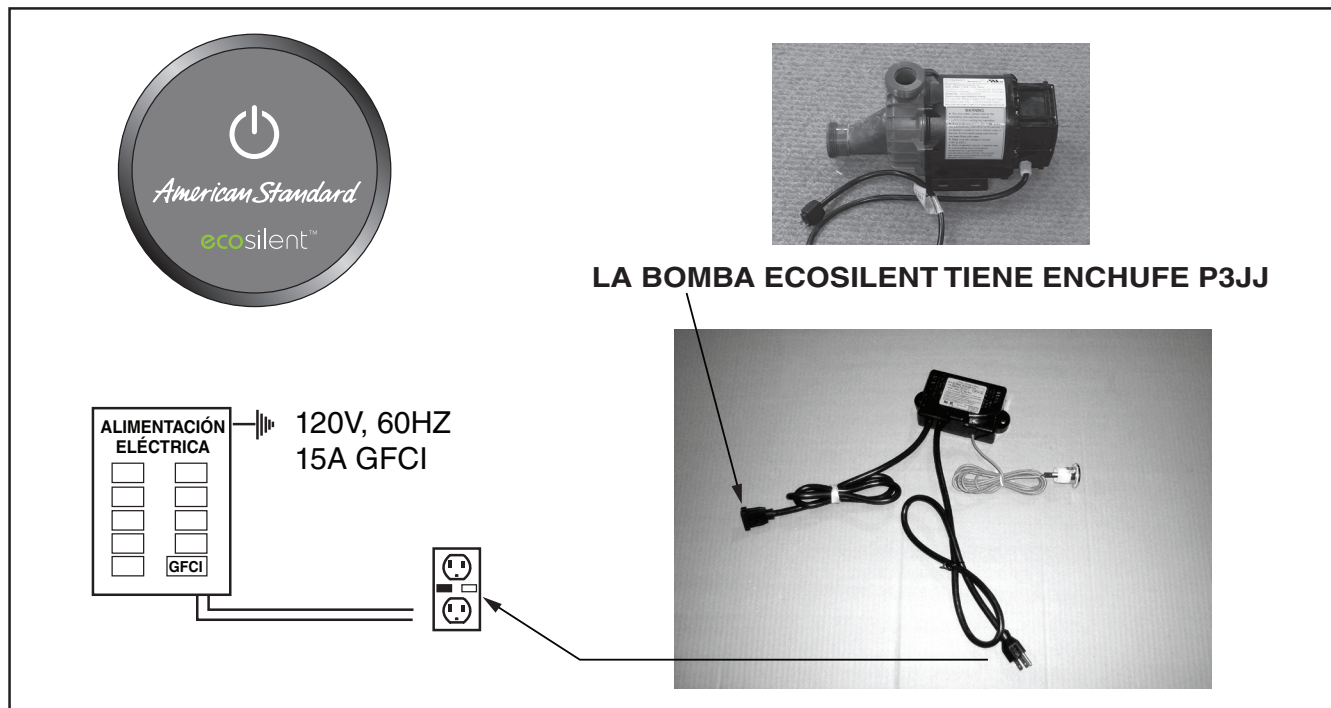


BAÑERA DE AIRE ACTIVADA ELECTRÓNICAMENTE (PANEL DE 4 BOTONES)

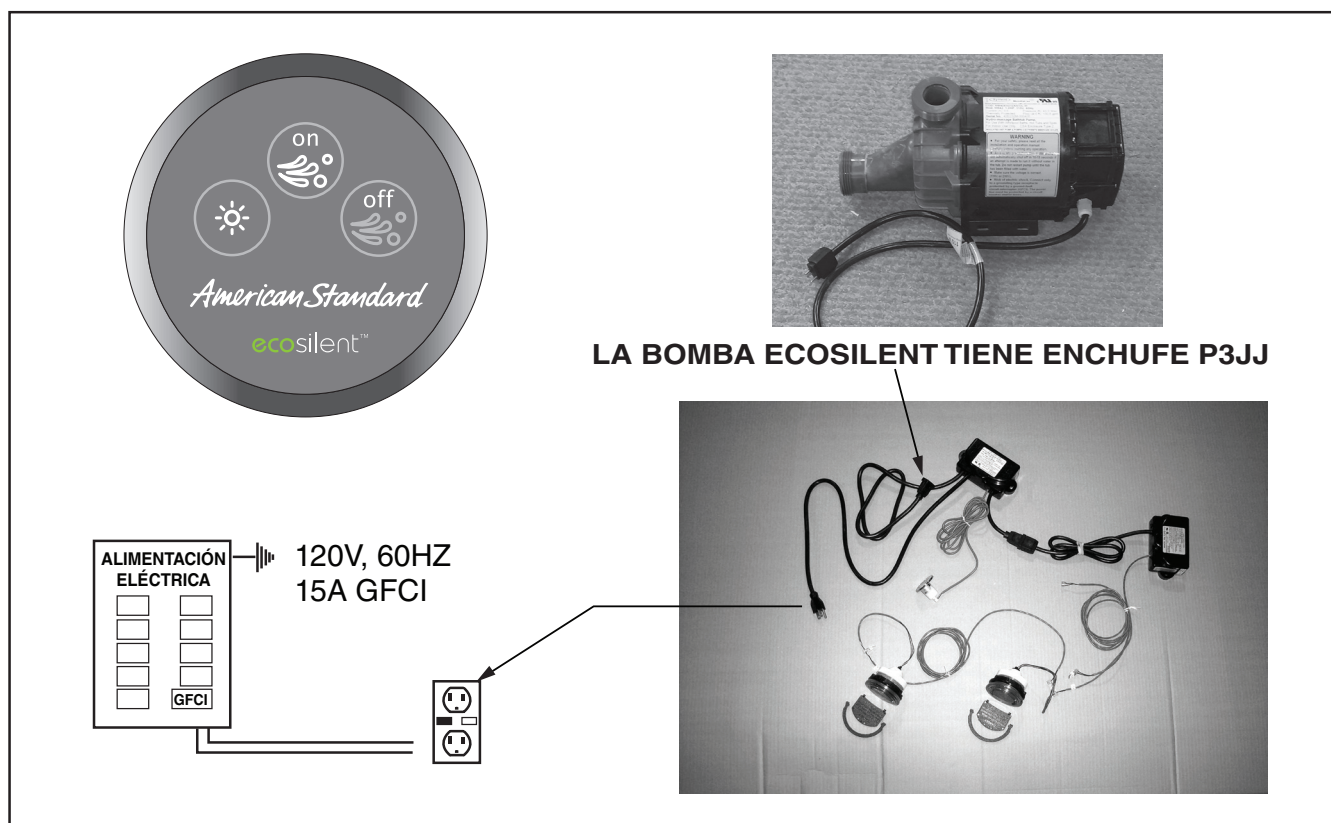


BAÑERA DE AIRE ACTIVADA ELECTRÓNICAMENTE CON LUCES (PANEL DE 5 BOTONES)

INSTRUCCIONES DE INSTALACIÓN ELÉCTRICA (continuación)



BAÑERA DE HIDROMASAJE ECOSILENT ACTIVADA ELECTRÓNICAMENTE (PANEL DE 1 BOTÓN)

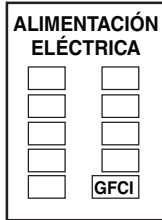


BAÑERA DE HIDROMASAJE ECOSILENT ACTIVADA ELECTRÓNICAMENTE CON LUCES (PANEL DE 3 BOTONES)

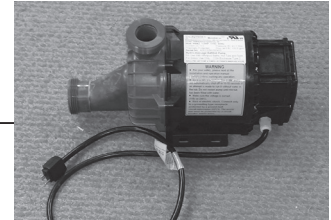
INSTRUCCIONES DE INSTALACIÓN ELÉCTRICA (continuación)

USE TRES SALIDAS GFCI (MERCADO ESTADOUNIDENSE)

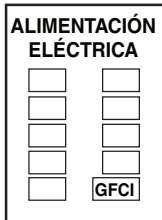
EL CALENTADOR DE LA BAÑERA DE HIDROMASAJE VIENE INSTALADO DE FÁBRICA EN LAS BAÑERAS DE COMBINACIÓN



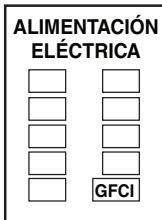
120V, 60HZ
15A GFCI
(PARA CALENTADOR)



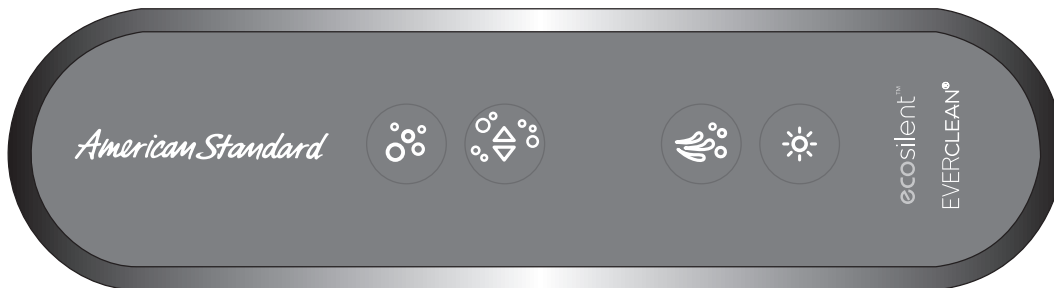
LA BOMBA ECOSILENT TIENE ENCHUFE P3JJ



120V, 60HZ
15A GFCI



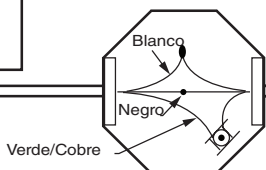
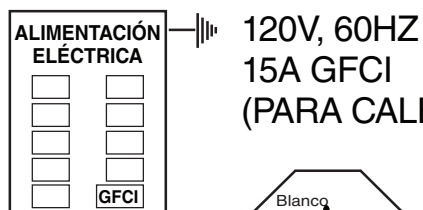
120V, 60HZ
15A GFCI



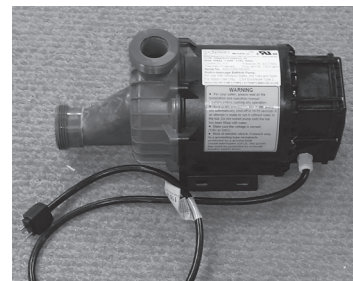
BAÑERA DE COMBINACIÓN ACTIVADA
ELECTRÓNICAMENTE CON LUCES (PANEL DE 4 BOTONES)

INSTRUCCIONES DE INSTALACIÓN ELÉCTRICA (continuación)

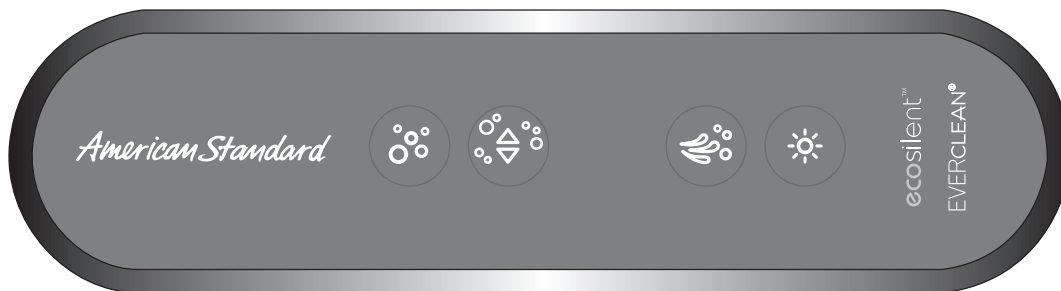
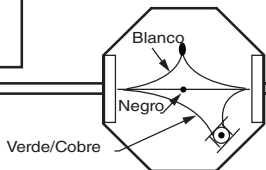
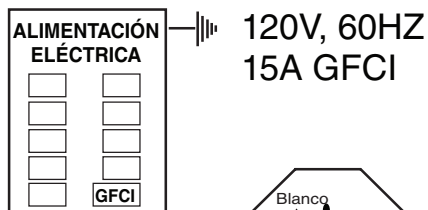
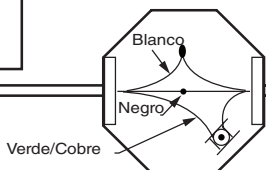
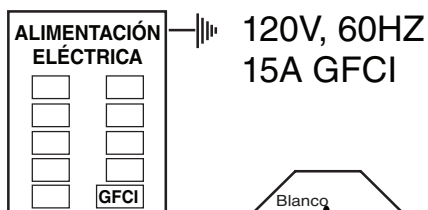
USE TRES CAJAS DE CONEXIONES
(MERCADO CANADIENSE)



EL CALENTADOR DE LA
BAÑERA DE HIDROMASAJE
VIENE INSTALADO DE
FÁBRICA EN LAS BAÑERAS
DE COMBINACIÓN



LA BOMBA
ECOSILENT TIENE
ENCHUFE P3JJ



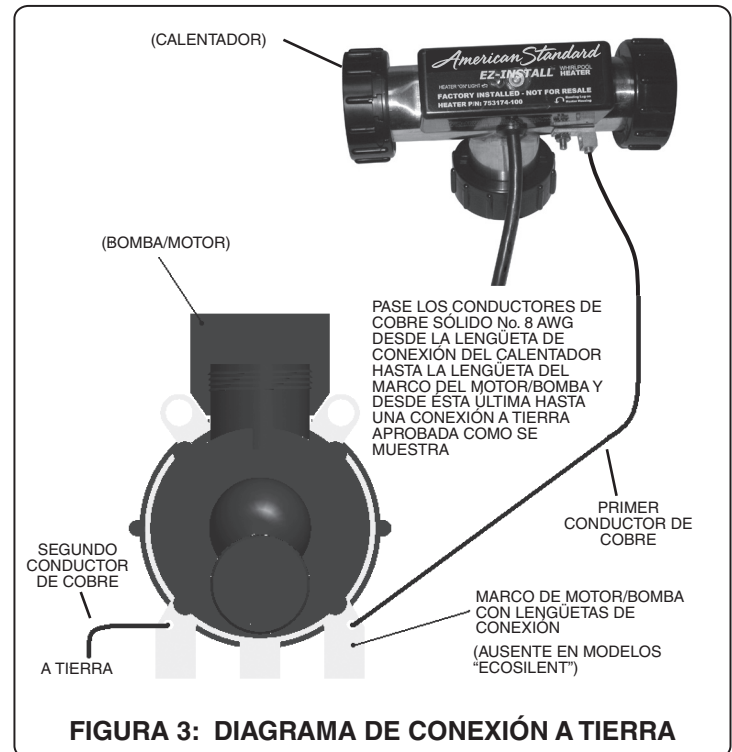
BAÑERA DE COMBINACIÓN ACTIVADA ELECTRÓNICAMENTE
CON LUCES (PANEL DE 4 BOTONES)

INSTRUCCIONES DE INSTALACIÓN ELÉCTRICA (continuación)

Asegúrese de que el calentador y la bomba estén correctamente PUESTOS A TIERRA y CONECTADOS según se requiera. Conecte el conductor de cobre sólido 8 AWG que se incluye con el calentador desde la lengüeta de conexión del calentador a la lengüeta de conexión del marco del motor como se muestra en la Figura 3.

El conductor se asegura a las lengüetas con tornillos de ajuste. El marco del motor debe tener un segundo conductor de cobre sólido 8 AWG conectado desde la lengüeta de conexión del marco al panel eléctrico de la casa o punto de conexión local probado como se muestra en la Figura 3.

NOTA: En todas las configuraciones de bomba "EcoSilent," la carcasa de la bomba es de plástico. Por lo tanto, el primer conductor de cobre conectado al calentador debe conectarse directamente a tierra a través del panel eléctrico de la casa o de un punto de conexión local aprobado. Este tipo de configuración no necesita el segundo conductor de cobre que se muestra en la Figura 3.



FUNCIONAMIENTO DEL CALENTADOR DE BAÑERA DE HIDROMASAJE

ADVERTENCIA: Antes de su funcionamiento, revise las Instrucciones de seguridad importantes que aparecen al comienzo de este manual de instrucción.

Una vez instalado el calentador y que la bomba esté funcionando, el calentador funciona en forma totalmente automática. El calentador ayudará a mantener la temperatura del agua en la bañera.

Interruptor de presión

El calentador viene equipado con un interruptor de presión preestablecido. La bomba debe estar funcionando con el agua corriendo en la bañera para permitir que se encienda el calentador.

Luz indicadora

Esta luz se enciende cada vez que el calentador está funcionando.

Interruptor de límite superior

El calentador incluye un exclusivo interruptor inteligente de "Límite superior". Este circuito de seguridad no "cortará" el agua caliente. Sólo apagará el calentador si falla el termostato. Si el interruptor de límite superior se desconecta con frecuencia, llame a un servicio técnico.

Para restablecer manualmente el circuito en caso de que el interruptor de "Límite superior" se haya activado, simplemente

- (1) Apague la bomba de la bañera de hidromasaje.
- (2) Drene el agua de la bañera.
- (3) Desenchufe el calentador del receptáculo o apague el cortacircuito para cortar la electricidad.
- (4) El circuito del calentador automáticamente se restablecerá en menos de 15 minutos.
- (5) Reanude la energía al calentador.
- (6) La bañera de hidromasaje está lista para ser usada.

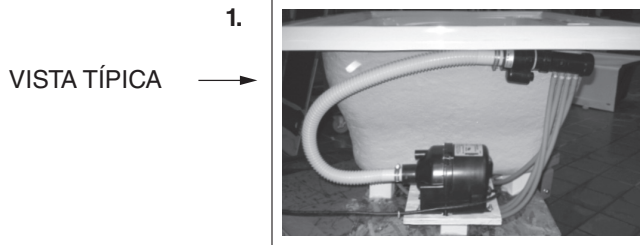


FIGURA 4: LUZ INDICADORA DEL CALENTADOR DE BAÑERA DE HIDROMASAJE

OPCIÓN DE UBICACIÓN DE SALIDAS DE AIRE REMOTAS

IMPORTANTE: No es necesario volver a ubicar el motor de las salidas de aire. Es una alternativa que se da en caso de que una instalación en particular lo amerite.

NOTA: Cambiar la ubicación del motor de las salidas de aire desde la ubicación original de fábrica (consulte la fotografía 1), requerirá desarmar las salidas de aire desde la tabla de montaje. Conserve todo el hardware para la instalación en la nueva ubicación. Se requerirá hardware adicional dependiendo de la posición final deseada de las salidas de aire. Siga todas las instrucciones que se indica a continuación.



NOTA: Instalar las salidas de aire en una ubicación remota reducirá la eficacia del sistema.

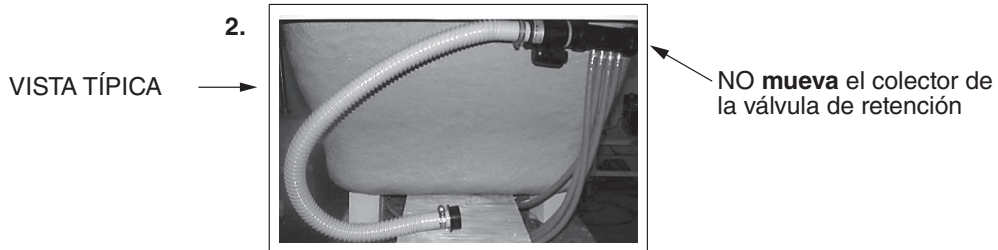
NOTA: Cambiar la ubicación del motor de las salidas de aire requiere un acceso de mantenimiento para las salidas.

NOTA: Todos los materiales necesarios para la nueva ubicación deben ser suministrados por un instalador. Esto incluye la solicitud de un cable de panel de control más largo (754025-0073A), una manguera flexible para salidas de aire más larga (753960-2030A) y hasta dos extensiones de cable de iluminación para los modelos combinados (754512-0070A).

En la ubicación remota se requiere un circuito separado, que debe ser protegido por el GFCI (Interrupor de circuito con pérdida a tierra). Las conexiones eléctricas deben ser realizadas por un electricista autorizado.

El motor de las salidas de aire debe ubicarse dentro de 15 pies de distancia del colector de la válvula reguladora. Esta limitación corre para la longitud total de tubería y se aplica a cualquier cambio de dirección y a los codos. Debe haber el mínimo posible de cambios de dirección.

Desconecte las salidas de aire de la manguera flexible como se muestra en la fotografía 2. NO retire el colector de la válvula de retención que está montado en la parte inferior de la bañera de hidromasaje de aire. El colector DEBE permanecer montado sobre el nivel de rebose de la bañera como aparece en 2.

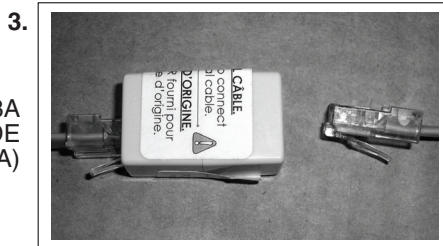


Reemplace la manguera flexible que se muestra en la fotografía 2 con la manguera flexible más larga (P/N 753960-2030A) usando las grapas de manguera existentes.

NOTA: NO saque el cable original que proviene de las salidas de aire. En lugar de ello, enchufe el cable más largo (P/N 754025-0073A) en el cable existente que proviene de las salidas de aire como se muestra en la fotografía 3. Luego enchufe el otro extremo del cable más largo en el panel de control que queda en la pared de la bañera.

HACIA EL PANEL DE CONTROL ←

CABLE 754025-0073A
(INCLUYE CAJA DE
ADAPTADORES MOSTRADA)



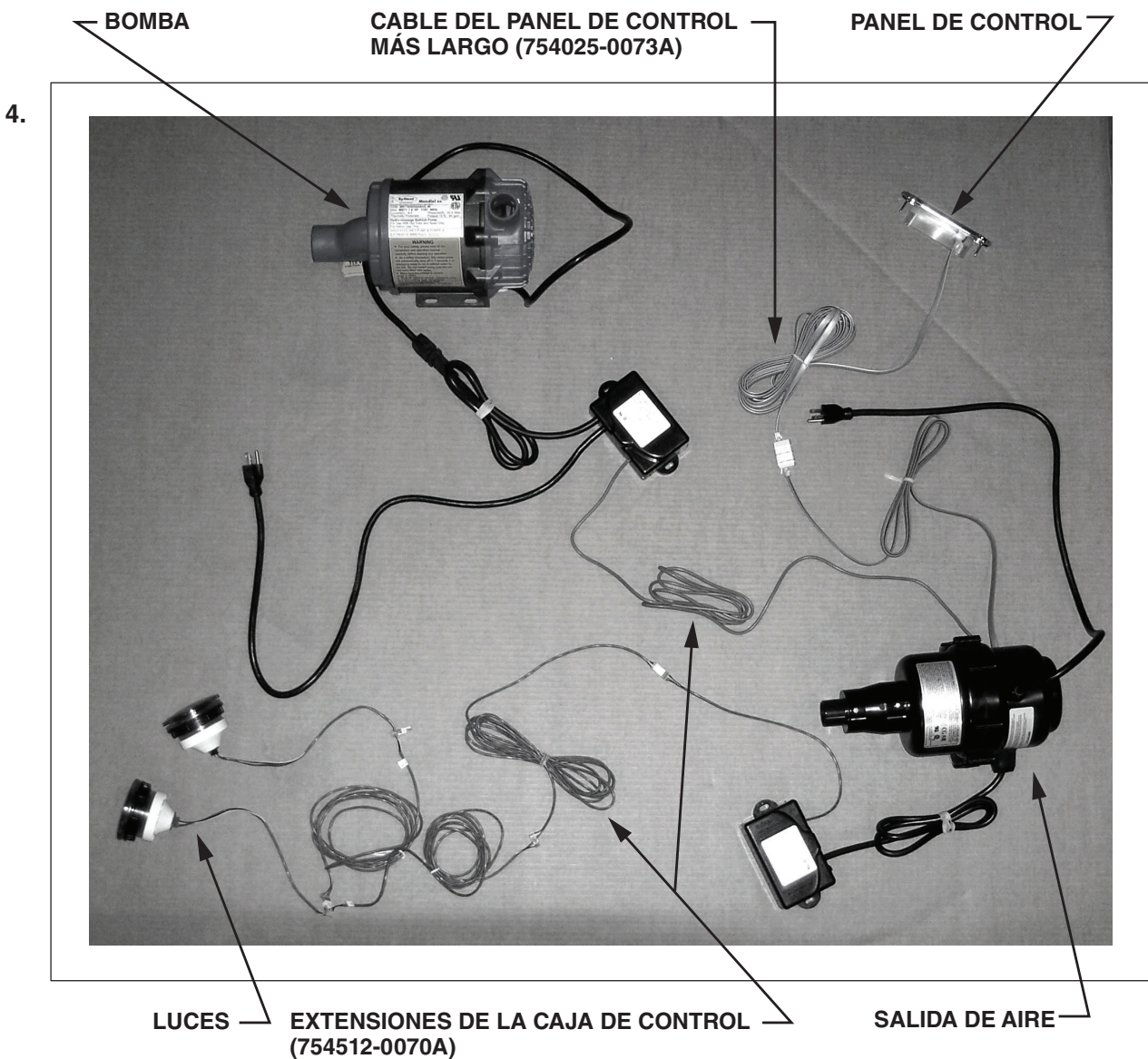
→ HACIA SALIDAS DE AIRE

CABLE
EXISTENTE

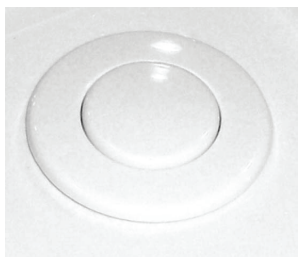
OPCIÓN DE UBICACIÓN DE SALIDAS DE AIRE REMOTAS (continuación)

SÓLO PARA CONFIGURACIONES CON COMBINACIÓN DE BAÑERA DE HIDROMASAJE / AIRE:

Son necesarias hasta dos extensiones de caja de control adicionales (P/N 754512-0070A) como se muestra en la fotografía 4 (siguiente). Simplemente agregue los cables de extensión para extender los cables que van hacia las salidas de aire. Tenga cuidado de no dañar las conexiones de cable y nunca enchufe los cables mientras haya electricidad aplicada en las salidas de aire y/o la bomba.



Funcionamiento: Banera de hidromasaje con velocidad simple



INTERRUPTOR AEREO



INTERRUPTOR ELECTRÓNICO

BAÑERA:

- Llene la bañera con agua a una temperatura agradable - Si su bañera de hidromasaje está equipada con el calentador EZ, mantendrá automáticamente la temperatura del agua.
- **IMPORTANTE:** NO llene la bañera de hidromasaje más de 2/3 de su capacidad antes de ingresar a ella, ya que puede provocar que se rebase.
- **IMPORTANTE:** NO agregue sales ni aceites para baño. Esto puede dañar la bomba de la bañera de hidromasaje.
- **IMPORTANTE:** El nivel del agua debe estar al menos una pulgada (25 mm) sobre el jet o chorro más alto antes de encender la bañera de hidromasaje. Hacer funcionar el sistema sin agua (ejecución en seco) durante períodos prolongados provocará daños a la bomba y anulará la garantía.
- **IMPORTANTE:** La bañera de hidromasaje EcoSilent NO funcionará a menos que el nivel de agua esté al menos una pulgada sobre el chorro más alto.

ENCENDIDO DE LA BAÑERA DE HIDROMASAJE:

- Presione el botón on/off (encendido/apagado) para encender la bañera de hidromasaje.

APAGADO DE LA BAÑERA DE HIDROMASAJE:

- Presione el botón on/off para apagar la bañera de hidromasaje.

AJUSTES DEL CONTROL DE VOLUMEN DE AIRE:

- La turbulencia (flujo de aire) del agua se determina por la cantidad de aire mezclado con el agua. Gire el control de volumen de aire hacia la izquierda para obtener un mayor flujo y hacia la derecha, para disminuirlo.

AJUSTES DEL VOLUMEN DEL FLUJO DEL CHORRO DE AGUA:

- Los niveles del flujo del agua se pueden ajustar de fuerte a suave girando las boquillas hacia la izquierda para un flujo más fuerte y hacia la derecha, para un flujo más suave.
- Puede ajustarse el flujo de agua que va hacia los chorros pequeños del área lumbar de la bañera (si está equipada así) abriendo la válvula de control de flujo de los chorros pequeños (girándola hacia la izquierda) o cerrándola. Los chorros pequeños propiamente tales NO son ajustables.

Funcionamiento: Bañera de hidromasaje EcoSilent con luces



INTERRUPTOR ELECTRÓNICO DE 3 BOTONES

COLORES DE LA PANTALLA	
1°	BLANCO
2°	CICLO DE ARCOIRIS LENTO
3°	CICLO DE ARCOIRIS RÁPIDO
4°	TURQUESA
5°	AZUL
6°	MAGENTA
7°	ROJO
8°	NARANJA
9°	AMARILLO
10°	VERDE
11°	VOLVER AL CICLO DE ARCOIRIS LENTO

BAÑERA:

- Llene la bañera con agua a una temperatura agradable. Si la bañera de hidromasaje está equipada con el calentador opcional EZ, éste mantendrá automáticamente la temperatura del agua.
- **IMPORTANTE:** NO llene la bañera de hidromasaje más de 2/3 de su capacidad antes de ingresar a ella, ya que puede provocar que ésta se rebase.
- **IMPORTANTE:** NO agregue sales ni aceites para baño. Esto puede dañar la bomba de la bañera de hidromasaje.
- **IMPORTANTE:** El nivel del agua debe estar al menos una pulgada (25 mm) sobre el jet o chorro más alto antes de encender la bañera de hidromasaje. Hacer funcionar el sistema sin agua (ejecución en seco) durante períodos prolongados provocará daños a la bomba y anulará la garantía.
- **IMPORTANTE:** La bañera de hidromasaje EcoSilent NO funcionará a menos que el nivel sea de al menos una pulgada sobre el chorro más alto.



- Para encender la bomba de la bañera de hidromasaje, presione el botón “on” (encendido).



- Para detener la bomba de la bañera de hidromasaje, presione el botón “off” (apagado).



- Para encender las luces de cromaterapia, presione el botón de luz una vez. El ciclo comenzará en blanco.
- Se apaga y enciende durante 3 segundos. Pasará al ciclo de arcoiris lento y así según la tabla de colores anterior.

AJUSTES DEL CONTROL DE VOLUMEN DE AIRE:

- La turbulencia (flujo de aire) del agua se determina por la cantidad de aire mezclado con el agua. Gire el control de volumen de aire hacia la izquierda para obtener un mayor flujo y hacia la derecha, para disminuirlo.

AJUSTES DEL VOLUMEN DEL FLUJO DEL CHORRO DE AGUA:

- Los niveles del flujo del agua se pueden ajustar de fuerte a suave girando las boquillas hacia la izquierda para un flujo más fuerte y hacia la derecha, para un flujo más suave.
- Puede ajustarse el flujo de agua que va hacia los chorros pequeños del área lumbar de la bañera (si está equipada así) abriendo la válvula de control de flujo de los chorros pequeños (girándola hacia la izquierda) o cerrándola. Los chorros pequeños propiamente tales NO son ajustables.





Funcionamiento: Bañera de hidromasaje de aire

BAÑERA:

- **IMPORTANTE: NO AGREGUE ACEITES NI SALES DE BAÑO**, ya que dañarán la bomba del hidromasaje y pueden arruinar la superficie de acrílico.
- Para cerrar el drenaje gire la perilla del drenaje o desagüe hacia la **IZQUIERDA**
- Llene la bañera con agua a un nivel de temperatura agradable para bañarse.

FUNCIONAMIENTO DEL SISTEMA DE HIDROMASAJE DE AIRE:



	ENCENDIDO/APAGADO: Presione este botón una vez para encender las salidas de aire. Presione nuevamente para apagarlas.
	AUMENTO DE LA VELOCIDAD DEL AIRE: Presione este botón para aumentar la velocidad al siguiente nivel.
	DISMINUCIÓN DE LA VELOCIDAD DEL AIRE: Presione este botón para disminuir la velocidad al nivel anterior.
	FUNCIÓN ONDA: Presione este botón para iniciar la función de onda (el botón se encenderá). La velocidad de las salidas de aire variará continuamente entre alta y baja. Presione nuevamente para salir de la función de onda (la luz del botón se apagará).

VACIADO DE LA BAÑERA

- Asegúrese de apagar las salidas de aire antes de drenar la bañera.
- Para abrir el drenaje gire la perilla del drenaje o desagüe hacia la derecha.

OPCIONES DEL CICLO DE SECADO

CICLO DE SECADO ESTÁNDAR

Comenzará un ciclo de secado automático 20 minutos después de apagarse las salidas de aire. El LED de las salidas de aire parpadea mientras espera durante el ciclo de purga.

CICLO DE SECADO PROGRAMABLE DE 24 HORAS

El sistema debe detenerse antes de la activación o desactivación.

Activación: Determine en qué momento desea que se active la purga. En ese preciso momento, presione el segundo botón del teclado durante 5 segundos. Todos los LED parpadearán dos veces. Comenzará el ciclo de purga en el momento programado cada 24 horas. En caso de una falla eléctrica, el programa se desactivará automáticamente.

Desactivación: Presione el segundo botón del teclado durante 5 segundos. Todos los LED parpadearán una vez para confirmar la desactivación.

Funcionamiento: Bañera de hidromasaje de aire con luces

BAÑERA:

- **IMPORTANTE: NO AGREGUE ACEITES NI SALES DE BAÑO**, ya que dañarán la bomba del hidromasaje y pueden arruinar la superficie de acrílico.
- Para cerrar el drenaje gire la perilla del drenaje o desagüe hacia la IZQUIERDA
- Llene la bañera con agua a un nivel de temperatura agradable para bañarse.

FUNCIONAMIENTO DEL SISTEMA DE HIDROMASAJE DE AIRE Y DE CROMOTERAPIA:



	ENCENDIDO/APAGADO: Presione este botón una vez para encender las salidas de aire. Presione nuevamente para apagarlas.
	AUMENTO DE LA VELOCIDAD DEL AIRE: Presione este botón para aumentar la velocidad al siguiente nivel.
	DISMINUCIÓN DE LA VELOCIDAD DEL AIRE: Presione este botón para disminuir la velocidad al nivel anterior.
	FUNCIÓN ONDA: Presione este botón para iniciar la función de onda (el botón se encenderá). La velocidad de las salidas de aire variará continuamente entre alta y baja. Presione nuevamente para salir de la función de onda (la luz del botón se apagará).

COLORES DE LA PANTALLA	
1°	BLANCO
2°	CICLO DE ARCOIRIS LENTO
3°	CICLO DE ARCOIRIS RÁPIDO
4°	TURQUESA
5°	AZUL
6°	MAGENTA
7°	ROJO
8°	NARANJO
9°	AMARILLO
10°	VERDE
11°	VOLVER AL CICLO DE ARCOIRIS LENTO

	<ul style="list-style-type: none"> • Para encender las luces de cromoterapia, presione el botón de luz una vez. El ciclo comenzará en blanco. • Se apaga y enciende durante 3 segundos. Pasará al ciclo de arcoiris lento y así según la tabla de colores anterior.
--	---

Funcionamiento: Bañera de hidromasaje de aire con luces (continuación)

VACIADO DE LA BAÑERA

- Asegúrese de apagar las salidas de aire antes de drenar la bañera.
- Para abrir el drenaje gire la perilla del drenaje o desagüe hacia la derecha.

OPCIONES DEL CICLO DE SECADO

CICLO DE SECADO ESTÁNDAR

Comenzará un ciclo de secado automático 20 minutos después de apagarse las salidas de aire. El LED de las salidas de aire parpadea mientras espera durante el ciclo de purga.

CICLO DE SECADO PROGRAMABLE DE 24 HORAS

El sistema debe detenerse antes de la activación o desactivación.

Activación: Determine en qué momento desea que se active la purga. En ese preciso momento, presione el segundo botón del teclado durante 5 segundos. Todos los LED parpadearán dos veces. Comenzará el ciclo de purga en el momento programado cada 24 horas. En caso de una falla eléctrica, el programa se desactivará automáticamente.

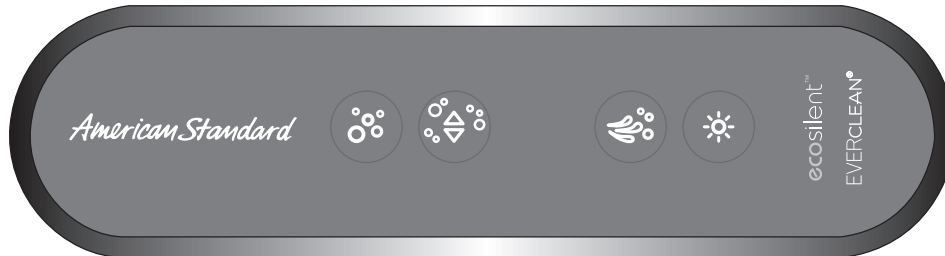
Desactivación: Presione el segundo botón del teclado durante 5 segundos. Todos los LED parpadearán una vez para confirmar la desactivación.




Funcionamiento: Bañera de combinación con luces

BAÑERA:


- **IMPORTANTE: NO AGREGUE ACEITES NI SALES DE BAÑO**, ya que dañarán la bomba del hidromasaje y pueden arruinar la superficie de acrílico.
- Para cerrar el drenaje gire la perilla del drenaje o desagüe hacia la **IZQUIERDA**
- Llene la bañera con agua a un nivel de temperatura agradable para bañarse.

FUNCIONAMIENTO DEL SISTEMA DE HIDROMASAJE DE AIRE y DE CROMOTERAPIA:



	<ul style="list-style-type: none"> • Presione este botón para encender las salidas de aire. • Presione este botón nuevamente para apagar las salidas de aire.
	<ul style="list-style-type: none"> • Mantenga presionado este botón para aumentar la velocidad de las salidas de aire. Suelte el botón al alcanzar la velocidad deseada. • Mantenga presionado este botón para disminuir la velocidad. Suelte el botón al alcanzar la velocidad deseada.
	<ul style="list-style-type: none"> • Presione este botón para encender la bomba de la bañera de hidromasaje. • Presione este botón para apagar la bomba de la bañera de hidromasaje.

COLORES DE LA PANTALLA	
1°	BLANCO
2°	CICLO DE ARCOIRIS LENTO
3°	CICLO DE ARCOIRIS RÁPIDO
4°	TURQUESA
5°	AZUL
6°	MAGENTA
7°	ROJO
8°	NARANJA
9°	AMARILLO
10°	VERDE
11°	VOLVER AL CICLO DE ARCOIRIS LENTO

	<ul style="list-style-type: none"> • Para encender las luces de cromoterapia, presione el botón de luz una vez. El ciclo comenzará en blanco. • Se apaga y enciende durante 3 segundos. Pasará al ciclo de arcoiris lento y así según la tabla de colores anterior.
---	---

Funcionamiento: Bañera de combinación con luces (continuación)

VACIADO DE LA BAÑERA

- Asegúrese de apagar las salidas de aire antes de drenar la bañera.
- Para abrir el drenaje gire la perilla del drenaje o desagüe hacia la derecha.

OPCIONES DEL CICLO DE SECADO

CICLO DE SECADO ESTÁNDAR

Comenzará un ciclo de secado automático 20 minutos después de apagarse las salidas de aire. El LED de las salidas de aire parpadea mientras espera durante el ciclo de purga.

CICLO DE SECADO PROGRAMABLE DE 24 HORAS

El sistema debe detenerse antes de la activación o desactivación.

Activación: Determine en qué momento desea que se active la purga. En ese preciso momento, presione el segundo botón del teclado durante 5 segundos. Todos los LED parpadearán dos veces. Comenzará el ciclo de purga en el momento programado cada 24 horas. En caso de una falla eléctrica, el programa se desactivará automáticamente.

Desactivación: Presione el segundo botón del teclado durante 5 segundos. Todos los LED parpadearán una vez para confirmar la desactivación.

Su bañera de hidromasaje de American Standard está diseñada para brindarle muchos años de placer si recibe el debido cuidado y mantenimiento.

La nueva bañera de acrílico es resistente, duradera y fácil de cuidar. Los colores fueron creados para hacer juego con los otros artefactos sanitarios American Standard y mejorar de esta forma sus opciones para decorar el baño. La superficie con brillo especial es resistente a los impactos y productos químicos, y conservará su brillo duradero con el debido cuidado y mantenimiento.

LIMPIEZA Y MANTENIMIENTO:

- Llene siempre la bañera con agua templada. El agua excesivamente caliente (más de 130° F) puede dañar la superficie.
- Retire la goma de la bañera después de usarla y cuélguela para que se seque. Dejar la goma en la bañera puede provocar daños en la superficie.
- Limpie la bañera después de usarla con un limpiador líquido suave. No encienda los jets (chorros) cuando esté usando el limpiador.

No use: Limpiador Lestoil®; desinfectante Lysol® (rociador o concentrado); o limpiador para lavabos, baños y azulejos Lysol®; Limpiador Windex®; limpiador Mr. Clean®; limpiador y desinfectante para baños Dow®*; otros productos de limpieza en latas de aerosol.

NUNCA SE DEBEN USAR PRODUCTOS QUÍMICOS FUERTES, OBJETOS AFILADOS NI ABRASIVOS EN SUPERFICIES DE ACRÍLICO

- No utilice cepillos metálicos, cuchillos ni objetos afilados para sacar manchas u otras imperfecciones en la superficie.
- El uso de limpiadores o polvos abrasivos puede opacar la superficie. Si la superficie brillante pierde su característica, las áreas opacas pueden restaurarse parcialmente frotando la superficie con un compuesto para pulir para autos y encerando con una cera líquida.
No encere las superficies por donde camina o está de pie.
- No permita que removedores de esmalte de uñas, acetona, líquidos de limpieza en seco, removedores de pinturas u otros solventes entren en contacto con la superficie.
- Limpie la superficie circundante inmediatamente después de usar limpiadores con soda cáustica.
No permita que el limpiador de desagüe ingrese en el sistema de circulación.
- Los cigarrillos encendidos dañarán irremediablemente la superficie de la bañera de hidromasaje.

LIMPIEZA Y PURGA DEL SISTEMA DE CIRCULACIÓN

Una vez al mes se debe purgar y limpiar el sistema de circulación. Siga los pasos que se describen a continuación:

1. Llene la bañera de hidromasaje con agua tibia y agregue dos cucharaditas de lavalozas en polvo para lavavajillas y media taza de cloro de uso doméstico.
2. Active el sistema de la bañera de hidromasaje según las instrucciones de funcionamiento y haga funcionar el sistema por dos minutos.
3. Vacíe y vuelva a llenar la bañera de hidromasaje con agua fría. Hágala funcionar por cinco minutos.
4. Vacíe la bañera de hidromasaje completamente después de completar el paso 3 (arriba).

Para obtener información sobre Solución de problemas y piezas de reparación, visite www.americanstandard-us.com

* Lestoil® es una marca registrada de The Clorox Company.
Lysol® es una marca registrada de The Linden Company.
Windex® es una marca registrada de S.C. Johnson and Son, Inc.
Mr. Clean® es una marca registrada de The Procter and Gamble Company.
Dow® es una marca registrada de The Dow Chemical Company.

AS America, Inc. Garantía limitada de por vida para bañeras de hidromasaje de acrílico de primera calidad

AS America, Inc. ("American Standard") garantiza exclusivamente al comprador original que reparará o reemplazará, según lo estime conveniente, esta bañera de hidromasaje o cualquiera de sus piezas que, a su juicio, considere defectuosa según el uso y mantenimiento doméstico siempre y cuando se encuentre en poder del comprador original.

Esta garantía sólo se hará efectiva una vez que American Standard reciba la Tarjeta de registro de la garantía llenada completamente que demuestre la compra.

Esta garantía limitada no se aplica a las instalaciones comerciales. La garantía para instalaciones comerciales es de (3) años.

ESTA GARANTÍA SERÁ NULA SI EL PANEL DE ACCESO A LA BAÑERA DE HIDROMASAJE SE CUBRE DE CUALQUIER MANERA CONTRARIA A LAS INSTRUCCIONES DE INSTALACIÓN. En ningún caso American Standard será responsable por el costo de reparación o reemplazo de cualquier material de instalación incluidos pero sin limitarse a azulejos, mármol, etc.

Esta garantía limitada NO CUBRE lo siguiente:

1. Defectos o daños provocados por el envío, instalación, alteraciones, accidentes, abuso, mal uso, falta de mantenimiento y limpieza adecuados como se indica en el manual del propietario y uso de otras piezas de reemplazo que no sean originales de American Standard, en todos los casos mencionados debido a contratistas de plomería, compañías de servicios, el propietario o cualquier otra persona.
2. Deterioro por desgaste y uso normal y el gasto de mantenimiento normal.
3. Aplicación comercial.
4. Opciones y accesorios. La garantía limitada de American Standard sobre estos productos es de un año sólo para las piezas y no cubre gastos de mano de obra. Esta garantía limitada por un año cubre accesorios fabricados por American Standard (por ejemplo, revestimientos, drenajes, barras de agarre, calentadores, juegos de molduras) contra defectos de material o mano de obra. La cobertura de la garantía comienza hacer efectiva a partir de la fecha en que el accesorio fue adquirido originalmente por el propietario.
5. El franqueo ni costos de envío para devolver los productos para reparación o reemplazo ni gastos laborales u otros costos en los que se ha incurrido relacionados con el retiro o instalación del producto según esta garantía limitada
6. RESPONSABILIDAD ALGUNA POR DAÑOS INDIRECTOS O FORTUITOS, LAS CUALES QUEDAN EXPLÍCITAMENTE NEGADAS POR MEDIO DEL PRESENTE, NI TAMPOCO LA EXTENSIÓN, FUERA DEL PLAZO DE DURACIÓN DE ESTA GARANTÍA LIMITADA, DE NINGUNA GARANTÍA IMPLÍCITA, INCLUIDAS AQUÉLLAS SOBRE COMERCIALIZACIÓN O IDONEIDAD PARA UN PROPÓSITO DEFINIDO. (Algunas jurisdicciones no autorizan limitaciones sobre cuánto dura la cobertura de una garantía implícita o la exclusión o limitación de daños indirectos o fortuitos, de modo que estas limitaciones y exclusiones puede que no se apliquen en su caso).
7. Responsabilidad por el cumplimiento de los requerimientos de las normas locales. (Debido a que los requerimientos de las normas locales pueden variar bastante, distribuidores, detallistas, distribuidores, contratistas de instalación y usuarios de productos de plomería deberán determinar si existen restricciones de las normas en la instalación o el uso de un producto específico).

Esta garantía le otorga derechos legales específicos. Puede que tenga otros derechos legales que varían de un estado a otro. Para obtener servicio de reparación bajo esta garantía debe contactarse:

En los Estados Unidos:

American Standard Brands
1 Centennial Ave
Piscataway, New Jersey 08854
Atención: Director de Servicio al Cliente
Para los residentes en los Estados Unidos, la información de la garantía puede obtenerse también llamando al siguiente número sin cargo: (800) 442-1902
www.americanstandard.com

En Canadá:

LIXIL Canada, ULC
5900 Avebury Rd.
Mississauga, Ontario
Canadá L5R 3M3
Número sin cargo: (800) 387-0369
www.americanstandard.ca

En México:

American Standard B&K México
S. de R. L. de C.V.
Vía Morelos #330
Col. Santa Clara
Ecatepec 55540 Edo. México
Número sin cargo: 01-800-839-1200
www.americanstandard.com.mx

MANUEL D'INSTALLATION ET DE FONCTIONNEMENT

*American
Standard*

MODÈLE 2742

MODÈLE 2748

MODÈLE 2806

MODÈLE 2903

MODÈLE 2932

MODÈLE 2934

MODÈLE 2938

MODÈLE 2940

MODÈLE 3571

MODÈLE 3572

MODÈLE 3573

MODÈLE 3574

MODÈLE 3575

MODÈLE 3581

BAIGNOIRES, BAIGNOIRES À REMOUS, BAIGNOIRES À AIR ET BAIGNOIRES COMBINÉES AVEC CHROMATHÉRAPIE OPTIONNELLE

NOUS VOUS REMERCIONS...

d'avoir choisi une baignoire American Standard. Votre nouvelle baignoire vous a été expédié après une inspection minutieuse. La baignoire à air ou à remous est entièrement assemblée avec souffleur, moteur et tuyauterie. Tout ce qu'il vous reste à faire pour terminer l'installation de votre baignoire à air est d'effectuer les raccordements électriques.

Afin de profiter pleinement et d'apprécier cette baignoire, nous vous recommandons de suivre les directives et les avertissements.







Pour toute question ou pour obtenir le service après-vente, appeler le soutien technique au 1-(800) 442-1902.
Ne pas contacter le magasin ou retourner cet article au point de vente.

TABLE DES MATIÈRES :

Directives de sécurité.....	Page 3
Directives d'installation et d'encadrement/ Nettoyage après l'installation.....	Page 4
Références de la plomberie brute pour les installations encastrées.....	Page 5
Références de la plomberie brute pour les installation de type pilier.....	Page 6
Directives pour le montage sous la plage.....	Page 6
Références de la plomberie brute pour toutes les séries.....	Page 7
Directives d'installation électrique.....	Page 18
Fonctionnement du chauffe-eau pour baignoire à remous.....	Page 23
Option d'emplacement éloigné du souffleur.....	Page 24
Fonctionnement : Baignoire à remous à une vitesse.....	Page 26
Fonctionnement : Baignoire à remous EcoSilent avec lumières.....	Page 27
Fonctionnement : Baignoire à air.....	Page 28
Fonctionnement : Baignoire à air avec lumières.....	Page 29
Fonctionnement : Baignoire combinée avec lumières.....	Page 31
Nettoyage et entretien.....	Page 33
Garantie.....	Page 34

IMPORTANTES DIRECTIVES DE SÉCURITÉ

VEUILLEZ LIRE ET RESPECTER TOUTES LES DIRECTIVES!

-  **AVERTISSEMENT : *Risque de blessure corporelle.*** Ne laissez pas les enfants utiliser cette baignoire sans la supervision d'un adulte. Ne jamais laisser tomber ni insérer d'objet dans les orifices. Il ne faut pas faire fonctionner cette baignoire lorsque le tuyau de succion n'est pas muni du couvercle de protection.
-  **AVERTISSEMENT : *Risque de choc électrique.*** Ne laissez pas d'appareils électriques traîner autour de la baignoire lorsque celle-ci contient de l'eau.
-  **AVERTISSEMENT : *Risque d'hyperthermie et de noyade.*** Les personnes sous médication ainsi que celles ayant un dossier médical comportant des réactions devraient consulter leur médecin avant d'employer la baignoire.
-  **AVERTISSEMENT : *Risque de blessure corporelle.*** Ne pas trop remplir la baignoire avant d'y pénétrer. Une baignoire déjà remplie aux 2/3 ou plus peut déborder lorsque vous y entrez et rendre les lieux glissants. Faites preuve de prudence lorsque vous entrez et sortez de la baignoire.
-  **AVERTISSEMENT : *Aucun aliment ni boisson alcoolisée.*** Il est déconseillé d'utiliser une baignoire immédiatement après un repas. Évitez de consommer de l'alcool avant et pendant que vous vous baignez. Les boissons alcoolisées peuvent provoquer de la somnolence et de l'hyperthermie pouvant entraîner une perte de conscience, voir même une noyade.
-  **AVERTISSEMENT : *Grossesse.*** Si vous êtes ou pensez être enceinte, veuillez consulter votre médecin avant d'utiliser la baignoire.

Utilisez la baignoire uniquement pour l'usage prévu tel que décrit dans ce manuel.
N'utilisez aucun accessoire n'ayant pas été recommandé par American Standard.

L'appareil doit être branché uniquement à un circuit d'alimentation doté d'un disjoncteur de fuite de terre (GFCI). Ce disjoncteur doit être fourni par l'installateur et vérifié régulièrement. Pour vérifier le GFCI, appuyez sur le bouton de test. Le GFCI devrait couper le courant. Appuyez sur le bouton de réinitialisation. Le courant devrait être rétabli. Si le disjoncteur (GFCI) ne fonctionne pas de cette manière, il est défectueux. Si le GFCI coupe le courant à la baignoire sans que le bouton de test soit enfoncé, cela signifie qu'il y a un courant à la terre, pouvant produire un choc électrique. N'utilisez pas la baignoire à air. Veuillez débrancher la baignoire à air et faire corriger le problème par un électricien agréé avant de l'utiliser.

VEUILLEZ CONSERVER CES DIRECTIVES

Directives d'installation et d'encadrement

Chaque baignoire est livrée prête à être installée, entièrement équipée avec les composants électroniques pour la pompe/le souffleur et avec la plomberie requise pour le fonctionnement. Cependant, une trousse de drain/trop-plein est requise pour chaque baignoire et n'est pas incluse.

En raison de la diversité des installations possibles de cette baignoire à air, il est possible que des procédures, autres que celles illustrées, soient nécessaires. Placez les montants comme requis. Vérifiez que les dimensions de la plomberie brute soient correctes, d'aplomb et d'équerre.

- ⚠ Retirez la baignoire de son emballage. Conservez la boîte d'expédition jusqu'à ce qu'une inspection satisfaisante du produit ait été faite. Ne soulevez pas la baignoire par la plomberie ; soulevez-la par la coque.
- ⚠ Toutes les baignoires sont testées en usine pour le fonctionnement et l'étanchéité des connexions avant l'expédition. Avant l'installation, il faut remplir la baignoire d'eau et la faire fonctionner afin de vérifier étanchéité (fuites résultant de dommages lors de l'expédition ou d'une mauvaise manipulation).
- ⚠ Le puisard de ces baignoires est supporté par des pieds et aucun autre support n'est requis. Dès que la baignoire est en place, les pieds doivent être calés et fixés de façon à ce que le rebord de la baignoire touche la traverse ou le poteau. Il ne doit cependant pas porter de charge.
- ⚠ Il faut réserver une ouverture d'accès sur toutes les installations pour l'entretien de la pompe/du souffleur de la baignoire. À moins qu'une ouverture d'accès d'au moins 12 po X 24 po (305 X 610 mm) ne soit pratiquée, le service de garantie ne sera pas exécuté. Il est fortement recommandé d'avoir une ouverture supplémentaire pour accéder aux composants du drain.
- ⚠ Chaque baignoire a une longueur (L), une largeur (L) et une hauteur (H) nominales en plus de la hauteur du rebord. À moins d'indication contraire dans les références suivantes, supposez que les tolérances nominales sont de +/-1/4 po (6 mm). Par conséquent, il est fortement recommandé que l'installateur construise la structure environnante après avoir reçu la baignoire. Les mesures de la structure doivent être comparées à celles de la baignoire reçue afin d'assurer un bon ajustement.

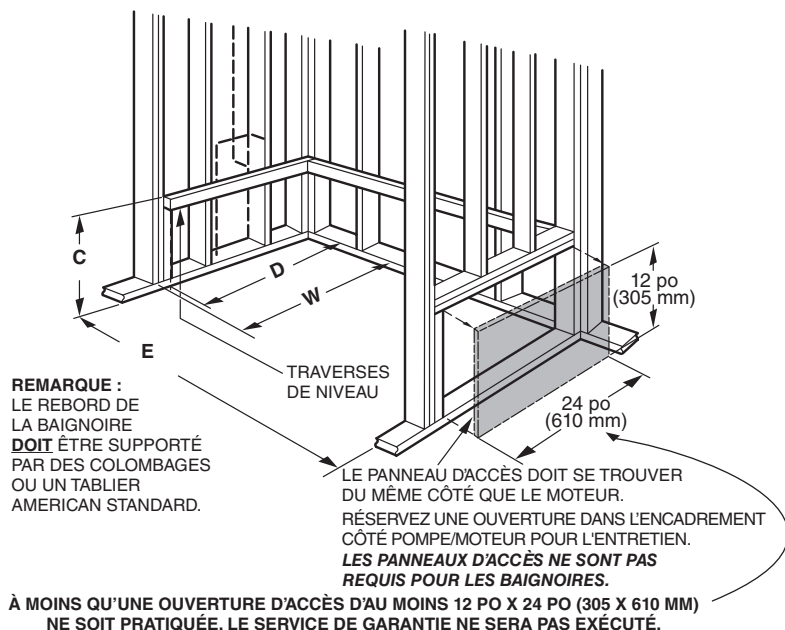
NETTOYAGE APRÈS L'INSTALLATION

Éliminez tous les débris de construction de la baignoire. Le ciment de carrelage peut s'enlever au moyen d'un bâtonnet en bois ou d'une spatule. N'utilisez pas de brosse métallique ni d'objets métalliques sur la surface de la baignoire.

Le nettoyage après l'installation peut, habituellement, être exécuté avec de l'eau tiède et du détergent liquide pour vaisselle. Les tâches tenaces peuvent être éliminées avec des granules de Spic and Span® mélangées avec de l'eau.

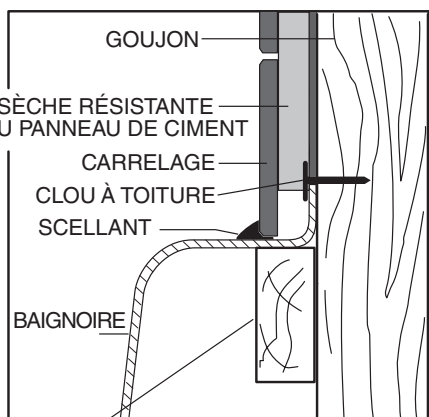
Le naphta peut être utilisé pour éliminer l'excès d'adhésif et de la peinture à l'huile fraîche.

RÉFÉRENCES DE MESURES FOURNIES POUR LES INSTALLATIONS ENCASTRÉES



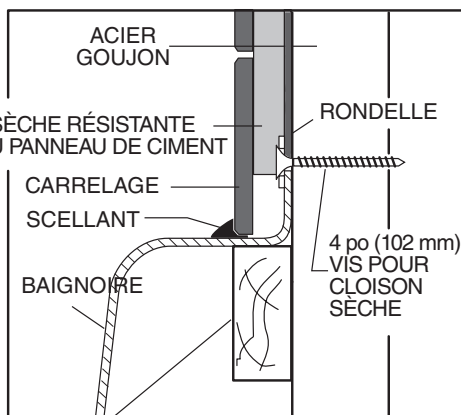
INSTALLATION TYPIQUE AVEC REBORD EN CARRELAGE

STRUCTURE DE BOIS



1 po x 3 po (25 x 76 mm)
TRAVERSE PLEINE LONGUEUR EN BOIS

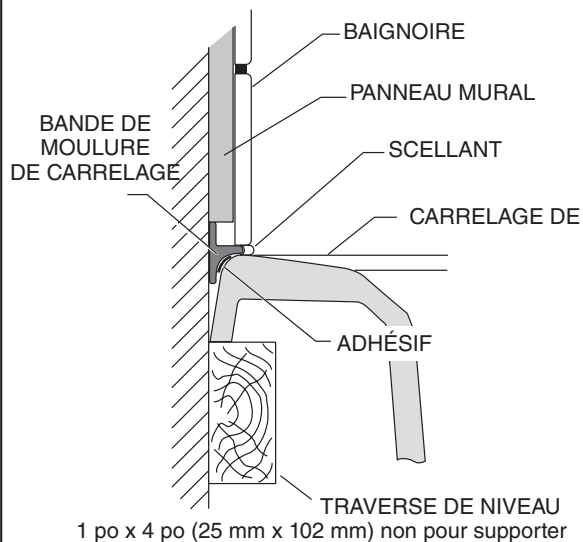
STRUCTURE D'ACIER



1 po x 3 po (25 x 76 mm)
TRAVERSE PLEINE LONGUEUR EN BOIS

FIXEZ LA BAIGNOIRE À LA STRUCTURE SELON CE QUI EST ILLUSTRÉ POUR UNE CONSTRUCTION EN BOIS OU EN ACIER.

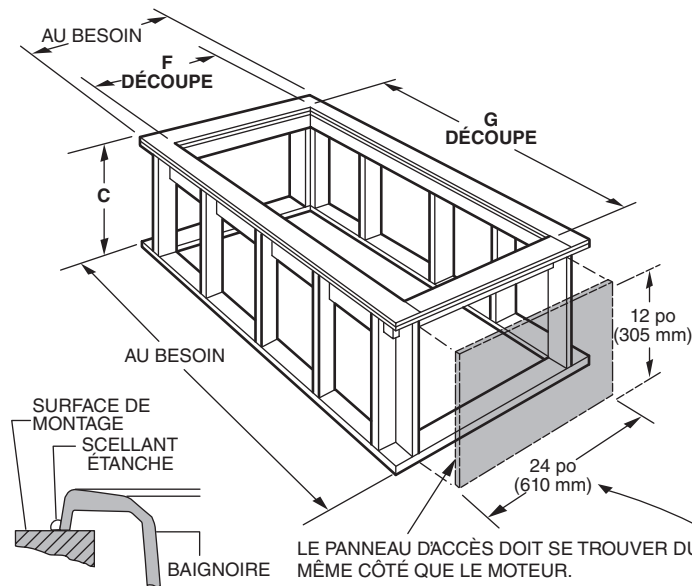
INSTALLATION TYPIQUE AVEC MOULURE DE CARRELAGE



1 po x 4 po (25 mm x 102 mm) non pour supporter

REMARQUE : La trousse de moulure de carrelage n'est pas incluse et doit être achetée séparément.

RÉFÉRENCES DE LA PLOMBERIE BRUTE POUR LES INSTALLATIONS DE TYPE PILIER



LE PANNEAU D'ACCÈS DOIT SE TROUVER DU MÊME CÔTÉ QUE LE MOTEUR.
RÉSERVEZ UNE OUVERTURE DANS L'ENCADREMENT CÔTÉ POMPE/MOTEUR POUR L'ENTRETIEN.
LES PANNEAUX D'ACCÈS NE SONT PAS REQUIS POUR LES BAIGNOIRES.

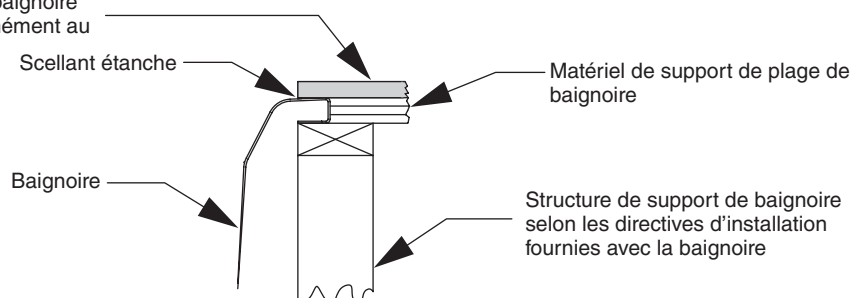
À MOINS QU'UNE OUVERTURE D'ACCÈS D'AU MOINS 12 PO X 24 PO (305 X 610 MM) NE SOIT PRATIQUÉE, LE SERVICE DE GARANTIE NE SERA PAS EXÉCUTÉ.

DIRECTIVES POUR LE MONTAGE SOUS LA PLAGES

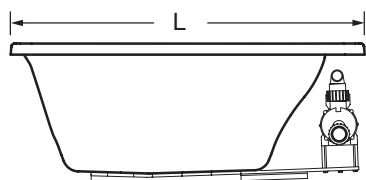
Veillez prendre note que la surface de la baignoire doit être protégée en tout temps durant l'installation. Ne percez ni ne découpez la plage de la baignoire directement au dessous de cette dernière au risque de l'endommager.

1. Installez la baignoire conformément aux directives d'installation fournies.
2. Préparez la structure de soutien de plage de baignoire selon le code du bâtiment local. Remarque – la plage de la baignoire doit être autoporteuse.
3. Découpez la plage de la baignoire selon vos spécifications.
4. Positionnez la plage de la baignoire et tracez l'ouverture sur la baignoire avec un crayon gras. Ne percez ni ne découpez la plage de la baignoire directement au dessous de cette dernière au risque de l'endommager.
5. Retirez la plage de la baignoire et appliquez un généreux ruban de scellant imperméable à l'eau sur le bord extérieur du tracé.
6. Reposez la plage de la baignoire et fixez-la en place.
7. Au besoin, appliquez d'autre scellant le long de l'interface de la baignoire et de la plage afin d'obtenir un joint parfaitement étanche.
8. Éliminez l'excès de scellant conformément aux directives du fabricant.

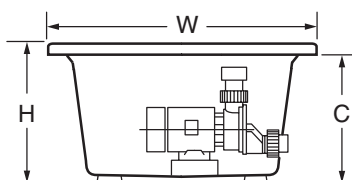
Le matériel de finition de plage de baignoire doit être autoporteur et fixé conformément au code du bâtiment local.



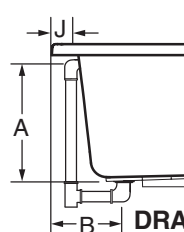
SPÉCIFICATIONS :



VUE LATÉRALE



EXTRÉMITÉ



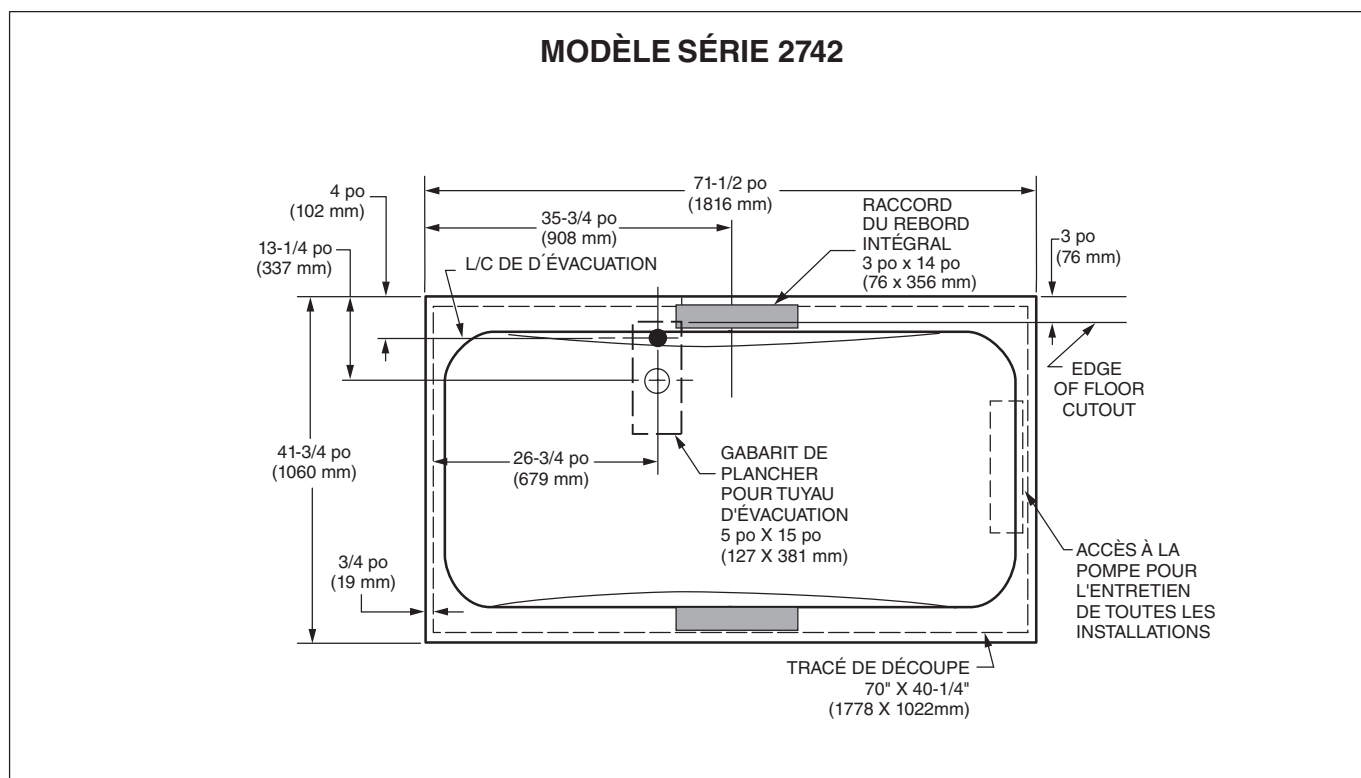
DRAIN / TROP PLEIN

CARACTÉRISTIQUES GÉNÉRALES DES BAIGNOIRES À REMOUS ET DES BAIGNOIRES

Description	Dimensions Longueur - largeur - hauteur	Drain / Trop plein	Hauteur de la surface inférieure du bord de tablier : C	Découpe Pilier G x F	Mesures fournies Renforce- ment E x D	Rebord de baignoire à la ligne du centre du trop-plein : J	Poids avec eau / charge au plancher	Produit Poids	Gallon jusqu'au trop-plein	Baignoire à remous Fonction- nement Volume
2742 Town Square 6 pi x 42 po	Longueur 71-1/2 po (1816 mm) Largeur 41-3/4 po (1060 mm) Hauteur 22 po (559 mm)	A 16-1/4 po (413 mm) B 13-1/4 po (337 mm)	C 20 po (508 mm)	70 po (1778 mm) x 40-1/4 po (1022 mm)	71-11/16 po (1821 mm) x 40-1/4 po (1022 mm)	4 po (102 mm)	690 lb. (313 kg)/ 33 lb./pi.c. (161 kg/m.c.)	115 lb. (52 kg.)	69 gal. (261 l.)	60 gal. (227 l.)
2748 Town Square 5 pi x 42 po	Longueur 59-1/2 po (1511mm) Largeur 41-5/8 po (1057 mm) Hauteur 23 po (584 mm)	A 14-1/2 po (368 mm) B 14-1/2 po (368 mm)	C 21 po (533 mm)	58 po (1473 mm) x 40-1/8 po (1019 mm)	59-11/16 po (1517 mm) x 40-1/8 po (1019 mm)	5-1/4 po (133 mm)	611 lb. (277 kg)/ 40 lb./pi.c. (196 kg/m.c.)	110 lb. (50 kg.)	60 gal. (227 l.)	55 gal. (208 l.)
2806 Heritage Oval 6 pi x 36 po	Longueur 72 po (1829 mm) Largeur 35-3/4 po (908 mm) Hauteur 21-1/2 po (546 mm)	A 17 po (432 mm) B 11 po (279 mm)	C 19-1/2 po (495 mm)	Gabarit Fourni	Comme désiré	5-1/2 po (140 mm)	744 lb. (338 kg)/ 41 lb./pi.c. (200 kg/m.c.)	135 lb. (61 kg.)	73 gal. (276 l.)	44 gal. (166 l.)
2903 Savona Oval 5 pi x 42 po	Longueur 60 po (1524 mm) Largeur 42-1/4 po (1073 mm) Hauteur 21-1/4 po (540 mm)	A 17 po (432 mm) B 9-1/2 po (241 mm)	C 19-1/4 po (489 mm)	Gabarit Fourni	Comme désiré	3 po (76 mm)	640 lb. (291 kg)/ 35 lb./pi.c. (171 kg/m.c.)	107 lb. (49 kg.)	64 gal. (242 l.)	53 gal. (200 l.)

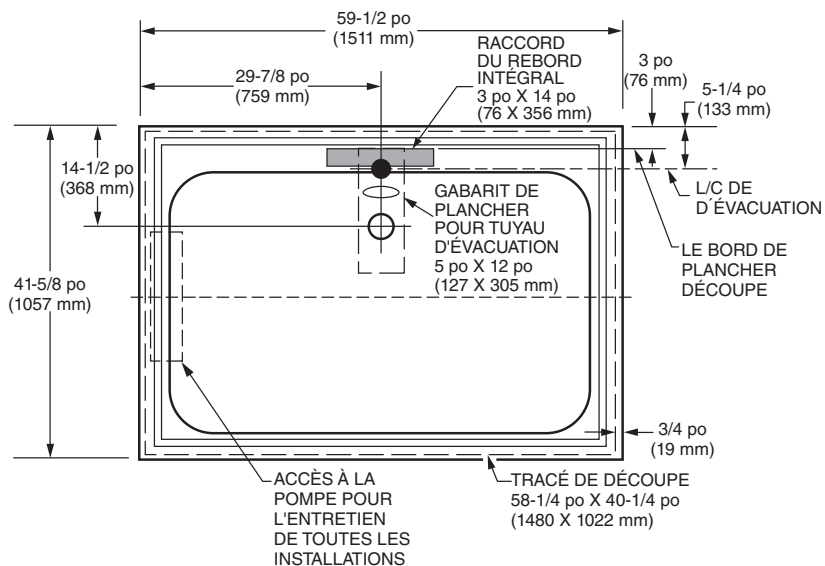
TABLEAU 1

RÉFÉRENCES DE CANALISATION

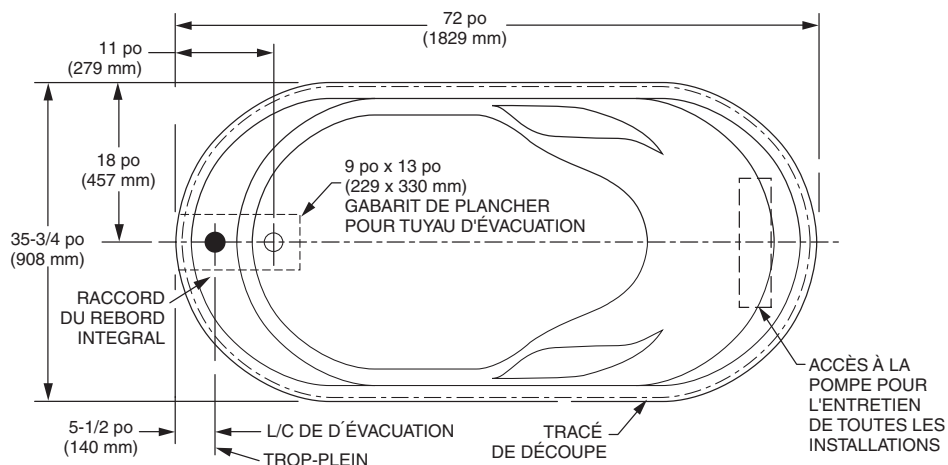


RÉFÉRENCES DE CANALISATION

MODÈLE SÉRIE 2748

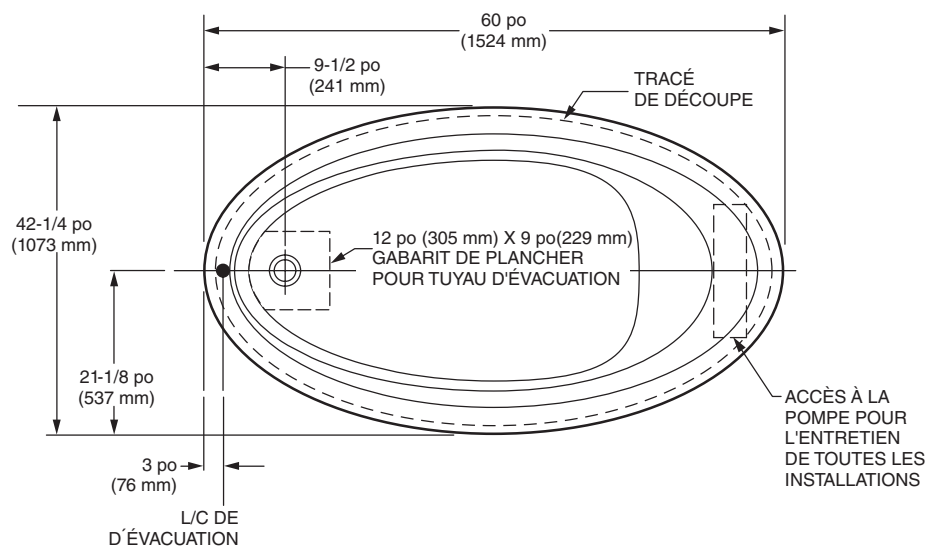


MODÈLE SÉRIE 2806

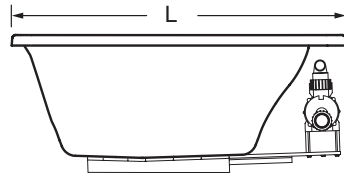


RÉFÉRENCES DE CANALISATION

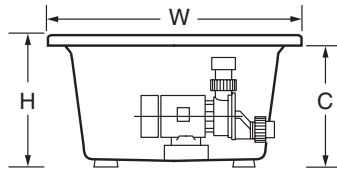
MODÈLE SÉRIE 2903



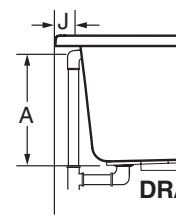
SPÉCIFICATIONS :



VUE LATÉRALE



EXTRÉMITÉ



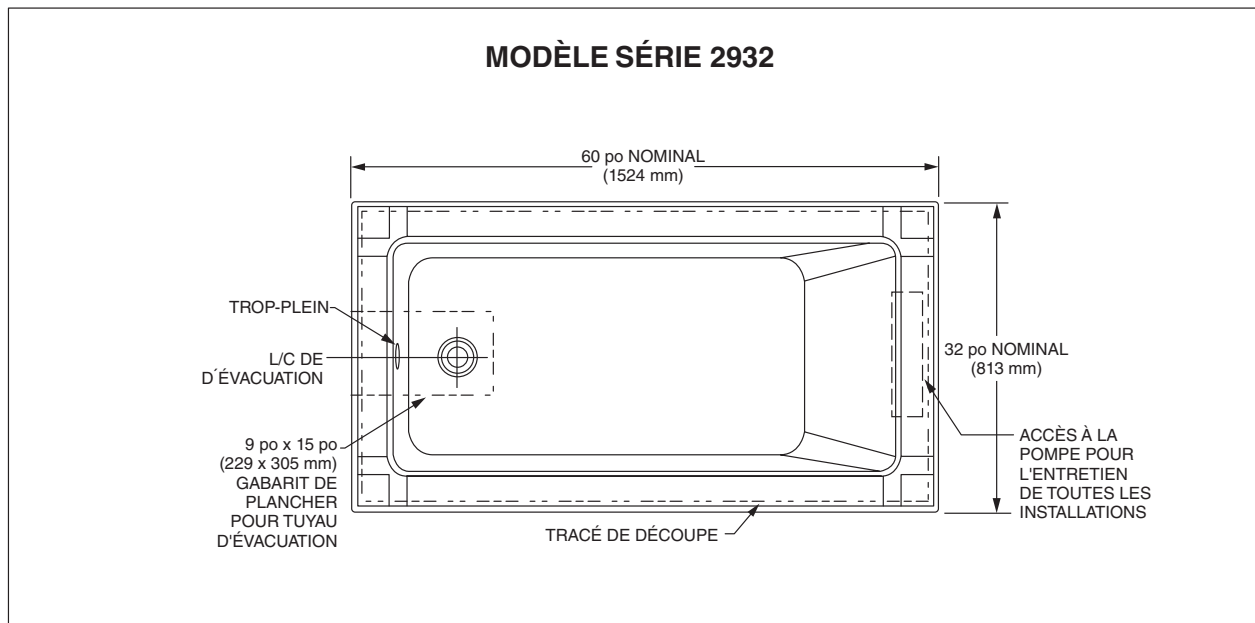
DRAIN / TROP PLEIN

CARACTÉRISTIQUES GÉNÉRALES DES BAIGNOIRES À REMOUS ET DES BAIGNOIRES STUDIO 5 pi x 32 po

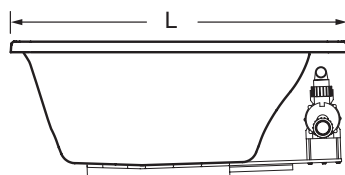
Description	Option de garniture de plage	Dimensions Longueur - largeur - hauteur	Drain / Trop plein	Hauteur de la surface inférieure du bord de tablier : C	Découpe Pilier G x F	Mesures fournies Renforcement E x D	Rebord de baignoire à la ligne du centre du trop-plein : J	Poids avec eau / charge au plancher	Produit Poids	Gallon jusqu'au trop-plein	Baignoire à remous Fonctionnement Volume
2932 Studio 5 pi x 32 po	Zéro (5/8 po)	Longueur 59-1/2 po (1511 mm) Largeur 31-1/2 po (800 mm) Hauteur 22-1/2 po (572 mm)	A 17-3/4 po (451 mm) B 10-3/4 po (273 mm)	C 21-7/8 po (556 mm)	58 po (1473 mm) x 30 po (762 mm)	59-11/16 po (1516 mm) x 30 po (762 mm)	3-1/4 po (83 mm)	581 lb. (264 kg)/ 44 lb./pi.c. (213 kg/m.c.)	90 lb. (198 kg.)	59 gal. (224 l.)	54 gal. (205 l.)
2932 Studio 5 pi x 32 po	2 po	Longueur 59-3/4 po (1518 mm) Largeur 31-3/4 po (806 mm) Hauteur 22-1/2 po (572 mm)	A 17-3/4 po (451 mm) B 10-7/8 po (276 mm)	C 20-1/2 po (521 mm)	58-1/4 po (1480 mm) x 30-1/4 po (768 mm)	59-15/16 po (1522 mm) x 30-1/4 po (768 mm)	3-1/4 po (83 mm)	581 lb. (264 kg)/ 44 lb./pi.c. (213 kg/m.c.)	90 lb. (198 kg.)	59 gal. (224 l.)	54 gal. (205 l.)

TABLEAU 2

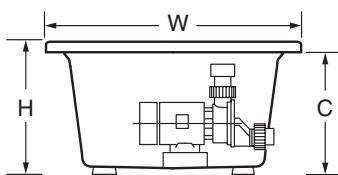
RÉFÉRENCES DE CANALISATION



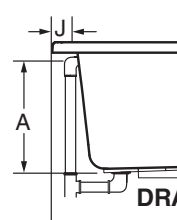
SPECIFICATIONS :



VUE LATÉRALE



EXTRÉMITÉ



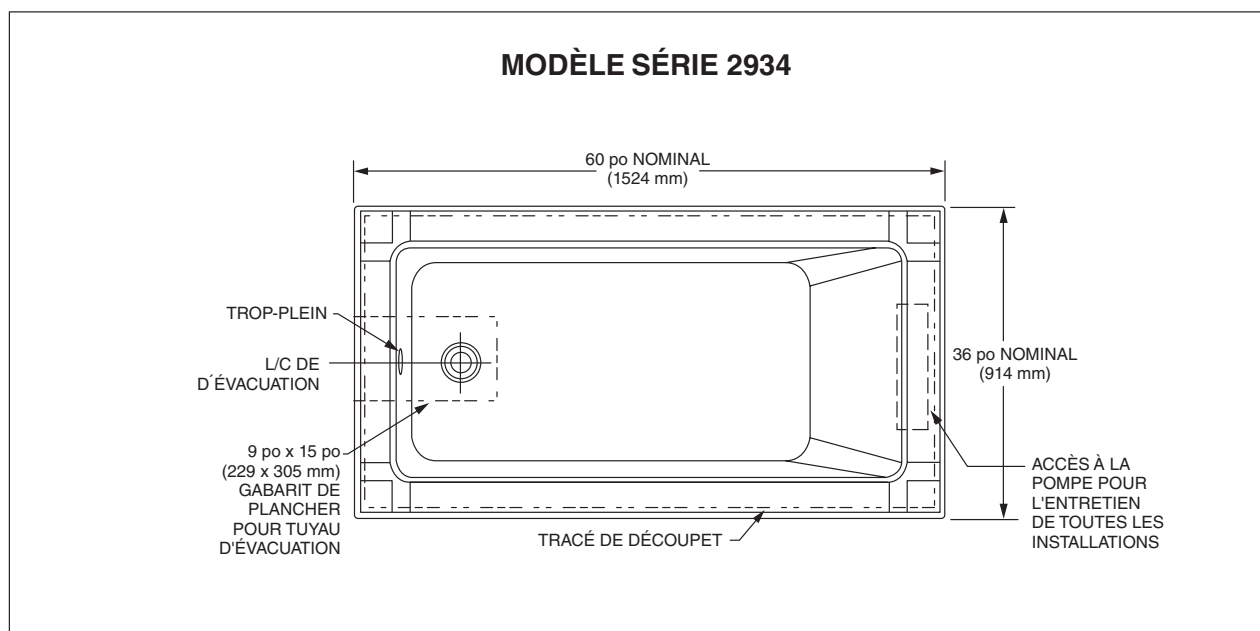
DRAIN / TROP PLEIN

CARACTÉRISTIQUES GÉNÉRALES DES BAIGNOIRES À REMOUS ET DES BAIGNOIRES STUDIO 5 pi x 36 po

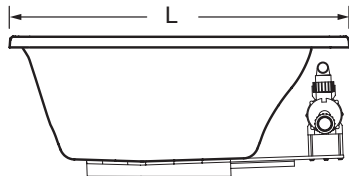
Description	Option de garniture de plage	Dimensions Longueur - largeur - hauteur	Drain / Trop plein	Hauteur de la surface inférieure du bord de tablier : C	Découpe Pilier G x F	Mesures fournies Renforcement E x D	Rebord de baignoire à la ligne du centre du trop-plein : J	Poids avec eau / charge au plancher	Produit Poids	Gallon jusqu'au trop-plein	Baignoire à remous Fonctionnement Volume
2934 Studio 5 pi x 36 po	Zéro (5/8 po)	Longueur 59-1/2 po (1511 mm) Largeur 35-1/2 po (902 mm) Hauteur 22-1/2 po (572 mm)	A 17-3/4 po (451 mm) B 10-3/4" (273 mm)	C 21-7/8 po (556 mm)	58 po (1473 mm) x 34 po (864 mm)	59-11/16 po (1516 mm) x 34 po (864 mm)	3-1/4 po (83 mm)	686 lb. (311 kg)/ 46 lb./pi.c. (223 kg/m.c.)	95 lb. (209 kg.)	71 gal. (269 l.)	64 gal. (243 l.)
2934 Studio 5 pi x 36 po	2 po	Longueur 59-3/4 po (1518 mm) Largeur 35-3/4 po (908 mm) Hauteur 22-1/2 po (572 mm)	A 17-3/4 po (451 mm) B 10-7/8 po (276 mm)	C 20-1/2 po (521 mm)	58-1/4 po (1480 mm) x 34-1/4 po (870 mm)	59-15/16 po (1522 mm) x 34-1/4 po (870 mm)	3-1/4 po (83 mm)	686 lb. (311 kg)/ 46 lb./pi.c. (223 kg/m.c.)	95 lb. (209 kg.)	71 gal. (269 l.)	64 gal. (243 l.)

TABLEAU 3

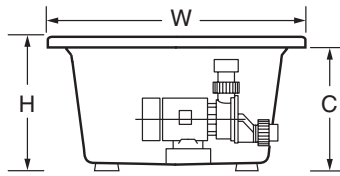
RÉFÉRENCES DE CANALISATION



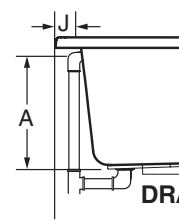
SPÉCIFICATIONS :



VUE LATÉRALE



EXTRÉMITÉ



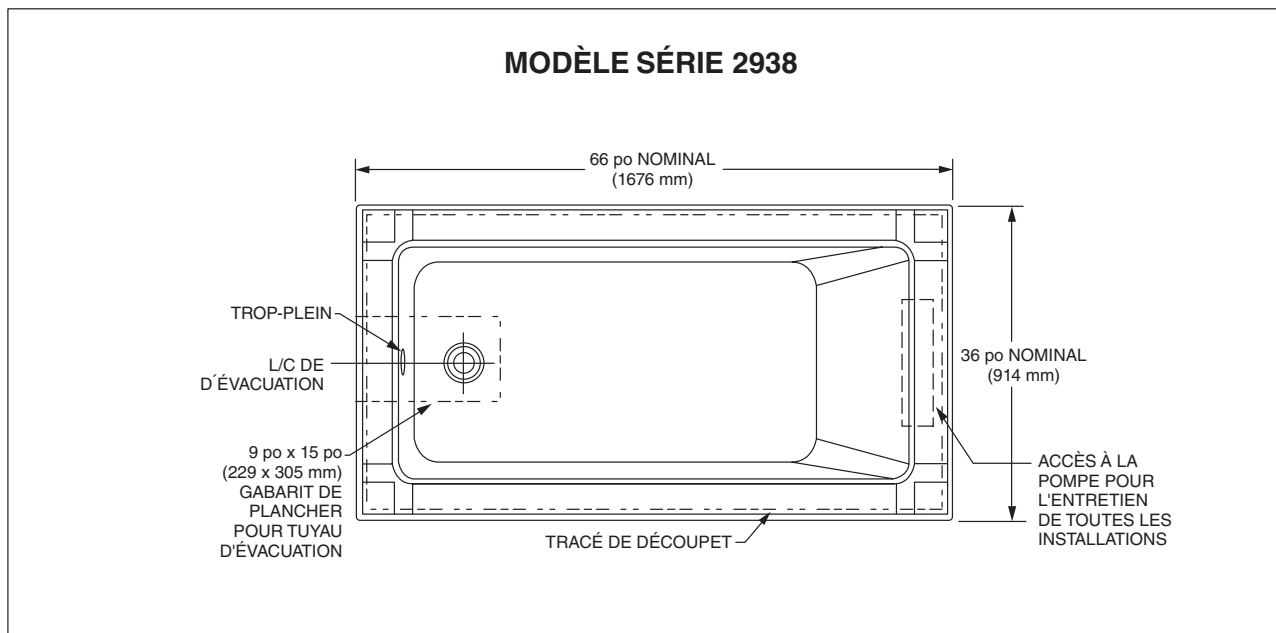
DRAIN / TROP PLEIN

CARACTÉRISTIQUES GÉNÉRALES DES BAIGNOIRES À REMOIS ET DES BAIGNOIRES STUDIO 5-1/2 pi x 36 po

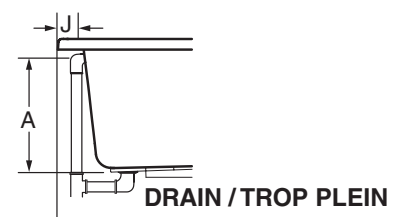
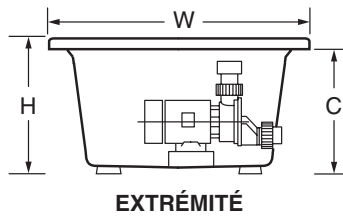
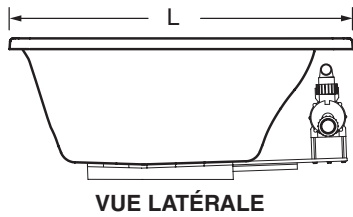
Description	Option de garniture de plage	Dimensions Longueur - largeur - hauteur	Drain / Trop plein	Hauteur de la surface inférieure du bord de tablier : C	Découpe Pilier G x F	Mesures fournies Renforcement E x D	Rebord de baignoire à la ligne du centre du trop-plein : J	Poids avec eau / charge au plancher	Produit Poids	Gallon jusqu'au trop-plein	Baignoire à remous Fonctionnement Volume
2938 Studio 5-1/2 pi x 36 po	Zéro (5/8 po)	Longueur 65-1/2 po (1664 mm) Largeur 35-1/2 po (902 mm) Hauteur 22-1/2 po (572 mm)	A 17-3/4 po (451 mm) B 10-3/4 po (273 mm)	C 21-7/8 po (556 mm)	64 po (1626 mm) x 34 po (864 mm)	65-11/16 po (1668 mm) x 34 po (864 mm)	3-1/4 po (83 mm)	766 lb. (348 kg)/ 46 lb./pi.c. (227 kg/m.c.)	100 lb. (220 kg.)	80 gal. (303 l.)	73 gal. (277 l.)
2938 Studio 5-1/2 pi x 36 po	2 po	Longueur 65-3/4 po (1670 mm) Largeur 35-3/4 po (908 mm) Hauteur 22-1/2 po (572 mm)	A 17-3/4 po (451 mm) B 10-7/8 po (276 mm)	C 20-1/2 po (521 mm)	64-1/4 po (1632 mm) x 34-1/4 po (870 mm)	65-15/16 po (1675 mm) x 34-1/4 po (870 mm)	3-1/4 po (83 mm)	766 lb. (348 kg)/ 46 lb./pi.c. (227 kg/m.c.)	100 lb. (220 kg.)	80 gal. (303 l.)	73 gal. (277 l.)

TABLEAU 4

RÉFÉRENCES DE CANALISATION



SPÉCIFICATIONS :

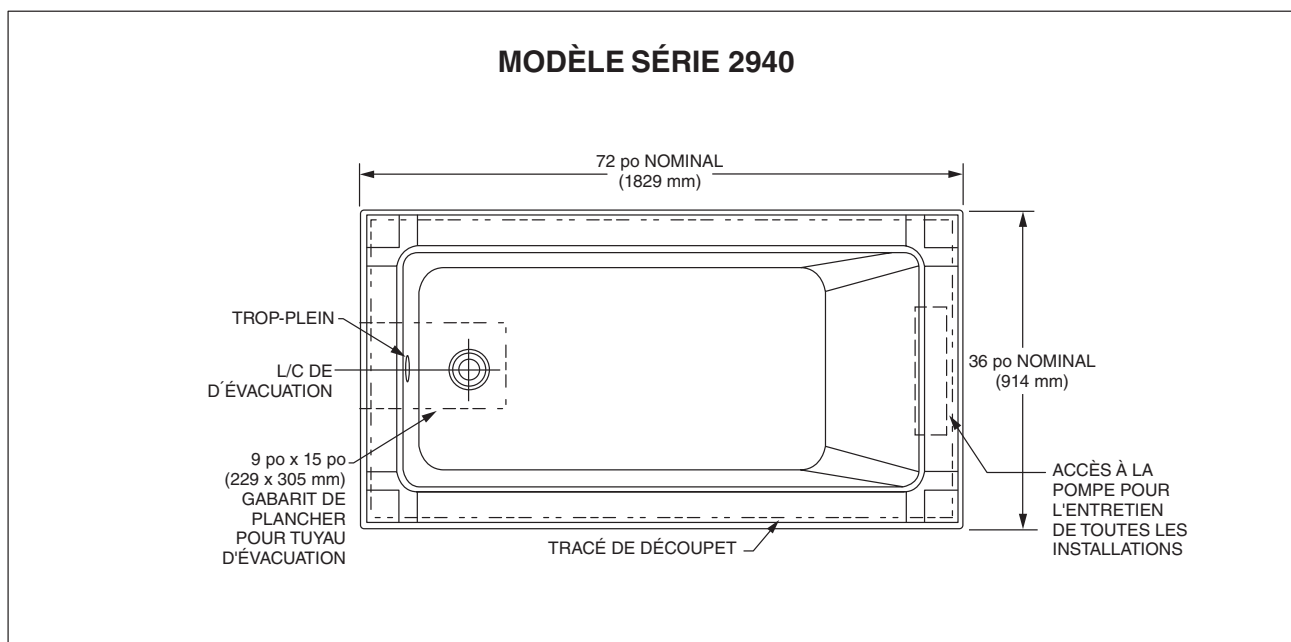


CARACTÉRISTIQUES GÉNÉRALES DES BAIGNOIRES À REMOUS ET DES BAIGNOIRES STUDIO 6 pi x 36 po

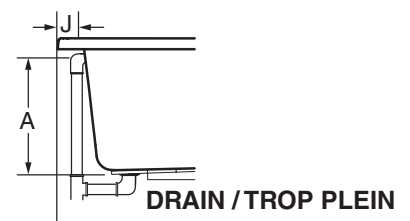
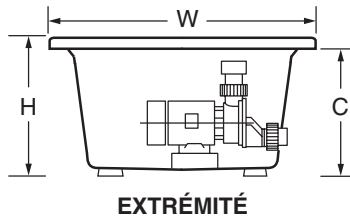
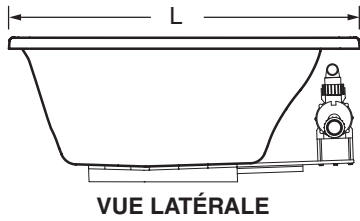
Description	Option de garniture de plage	Dimensions Longueur - largeur - hauteur	Drain / Trop plein	Hauteur de la surface inférieure du bord de tablier : C	Découpe Pilier G x F	Mesures fournies Renforcement E x D	Rebord de baignoire à la ligne du centre du trop-plein : J	Poids avec eau / charge au plancher	Produit Poids	Gallon jusqu'au trop-plein	Baignoire à remous Fonctionnement Volume
2940 Studio 6 pi x 36 po	Zéro (5/8 po)	Longueur 71-1/2 po (1816 mm) Largeur 35-1/2 po (902 mm) Hauteur 22-1/2 po (572 mm)	A 17-3/4 po (451 mm) B 10-3/4 po (273 mm)	C 21-7/8 po (556 mm)	70 po (1778 mm) x 34 po (864 mm)	71-11/16 po (1821 mm) x 34 po (864 mm)	3-1/4 po (83 mm)	846 lb. (384 kg)/ 47 lb./pi.c. (230 kg/m.c.)	105 lb. (231 kg.)	89 gal. (337 l.)	81 gal. (307 l.)
2940 Studio 6 pi x 36 po	2 po	Longueur 71-3/4 po (1822 mm) Largeur 35-3/4 po (908 mm) Hauteur 22-1/2 po (572 mm)	A 17-3/4 po (451 mm) B 10-7/8 po (276 mm)	C 20-1/2 po (521 mm)	70-1/4 po (1784 mm) x 34-1/4 po (870 mm)	71-15/16 po (1827 mm) x 34-1/4 po (870 mm)	3-1/4 po (83 mm)	846 lb. (384 kg)/ 47 lb./pi.c. (230 kg/m.c.)	105 lb. (231 kg.)	89 gal. (337 l.)	81 gal. (307 l.)

TABLEAU 5

RÉFÉRENCES DE CANALISATION



SPÉCIFICATIONS :

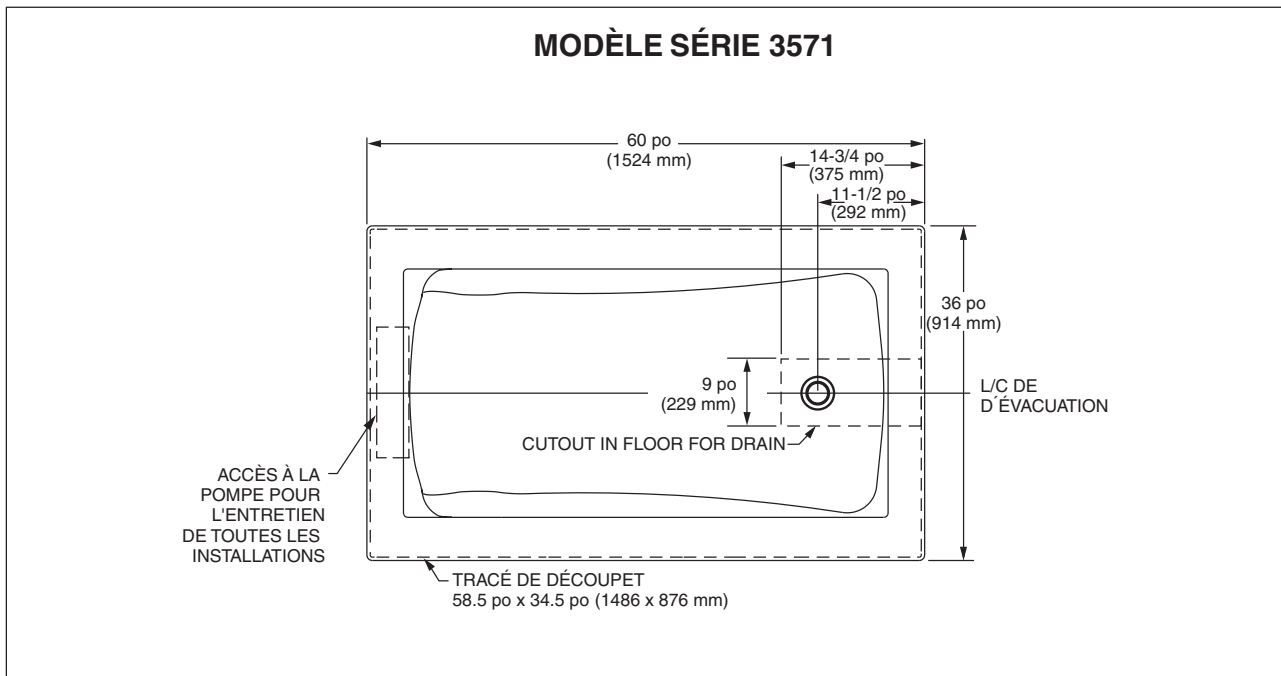


CARACTÉRISTIQUES GÉNÉRALES DES BAIGNOIRES À REMOUS ET DES BAIGNOIRES GREEN TEA

Description	Dimensions Longueur - largeur - hauteur	Drain / Trop plein	Hauteur de la surface inférieure du bord de tablier : C	Découpe Piller G x F	Mesures fournies Renforcement E x D	Rebord de baignoire à la ligne du centre du trop-plein : J	Poids avec eau / charge au plancher	Produit Poids	Gallon jusqu'au trop-plein	Baignoire à remous Fonctionnement Volume
3571 Green Tea 5 pi x 36 po	Longueur 60 po (1524 mm) Largeur 36 po (914 mm) Hauteur 21 po (533 mm)	A 16 po (406 mm) B 11-1/2 po (349 mm)	C 19 po (483 mm)	58-1/2 po (1485 mm) x 34-1/2 po (876 mm)	60-3/16 po (1529 mm) x 34-1/2 po (876 mm)	3-1/2 po (89 mm)	519 lb. (236 kg)/ 35 lb./pi.c. (171 kg/m.c.)	86 lb. (39 kg.)	52 gal. (197 l.)	38 gal. (144 l.)
3572 Green Tea 5-1/2 pi x 36 po	Longueur 66 po (1676 mm) Largeur 36 po (914 mm) Hauteur 21 po (533 mm)	A 16 po (406 mm) B 11-1/2 po (349 mm)	C 19 po (483 mm)	64-1/2 po (1638 mm) x 34-1/2 po (876 mm)	66-3/16 po (1681 mm) x 34-1/2 po (876 mm)	3-3/4 po (95 mm)	592 lb. (269 kg)/ 36 lb./pi.c. (176 kg/m.c.)	100 lb. (45 kg.)	59 gal. (223 l.)	44 gal. (166 l.)
3573 Green Tea 6 pi x 36 po	Longueur 72 po (1829 mm) Largeur 36 po (914 mm) Hauteur 21 po (533 mm)	A 16 po (406 mm) B 11-1/2 po (349 mm)	C 19 po (483 mm)	70-1/2 po (1791 mm) x 34-1/2 po (876 mm)	72-3/16 po (1834 mm) x 34-1/2 po (876 mm)	3-1/2 po (89 mm)	665 lb. (302 kg)/ 37 lb./pi.c. (181 kg/m.c.)	115 lb. (52 kg.)	66 gal. (250 l.)	49 gal. (185 l.)
3574 Green Tea 5 pi x 42 po	Longueur 60 po (1524 mm) Largeur 42 po (1067 mm) Hauteur 21 po (533 mm)	A 16 po (406 mm) B 11-1/2 po (349 mm)	C 19 po (483 mm)	58-1/2 po (1485 mm) x 40-1/2 po (1029 mm)	60-3/16 po (1528 mm) x 40-1/2 po (1029 mm)	3-1/8 po (79 mm)	656 lb. (298 kg)/ 38 lb./pi.c. (186 kg/m.c.)	115 lb. (52 kg.)	65 gal. (246 l.)	47 gal. (178 l.)
3575 Green Tea 6 pi x 42 po	Longueur 72 po (1829 mm) Largeur 42 po (1067 mm) Hauteur 21 po (533 mm)	A 16 po (406 mm) B 11-1/2 po (349 mm)	C 19 po (483 mm)	70-1/2 po (1791 mm) x 40-1/2 po (1029 mm)	72-3/16 po (1834 mm) x 40-1/2 po (1029 mm)	3-1/2 po (89 mm)	785 lb. (356 kg)/ 37 lb./pi.c. (181 kg/m.c.)	127 lb. (57 kg.)	79 gal. (299 l.)	58 gal. (219 l.)

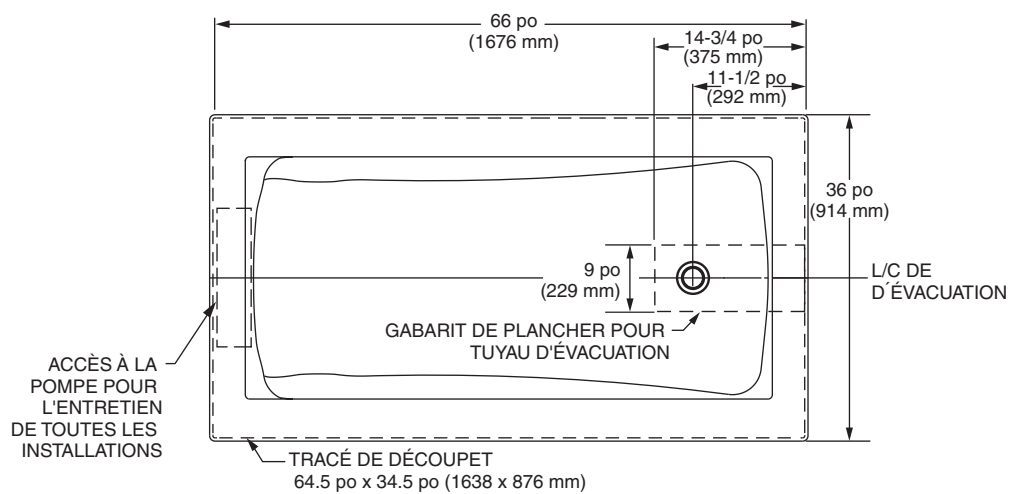
TABLEAU 6

RÉFÉRENCES DE CANALISATION

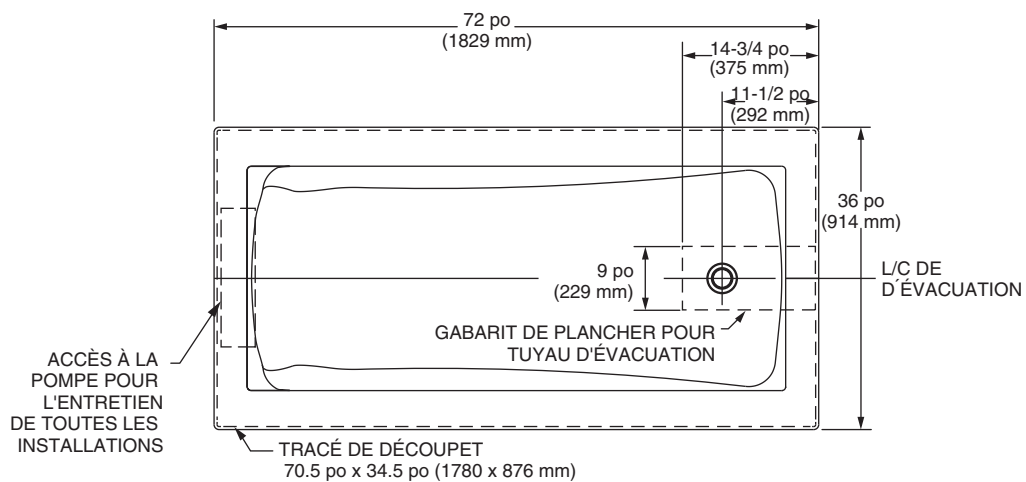


RÉFÉRENCES DE CANALISATION

MODÈLE SÉRIE 3572

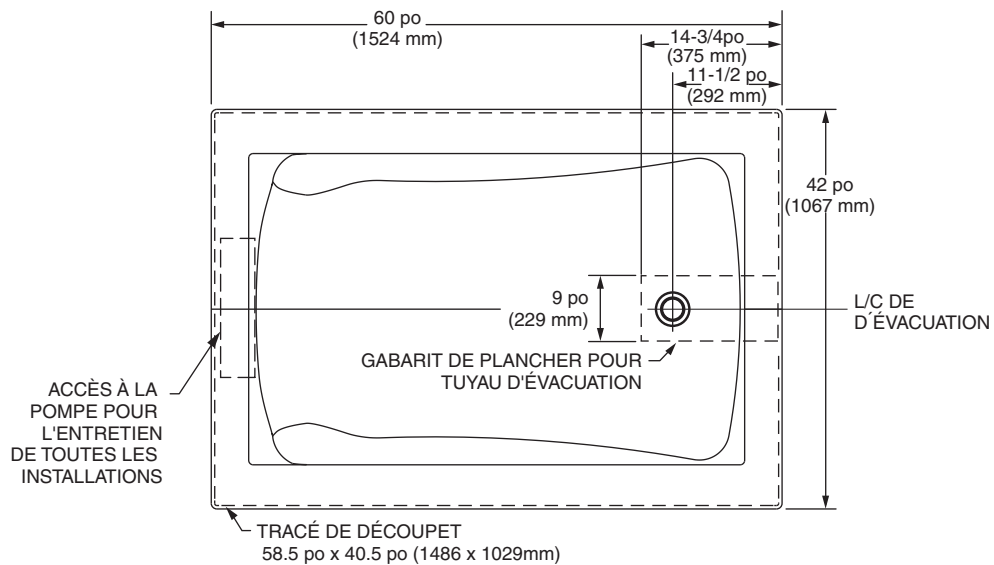


MODÈLE SÉRIE 3573

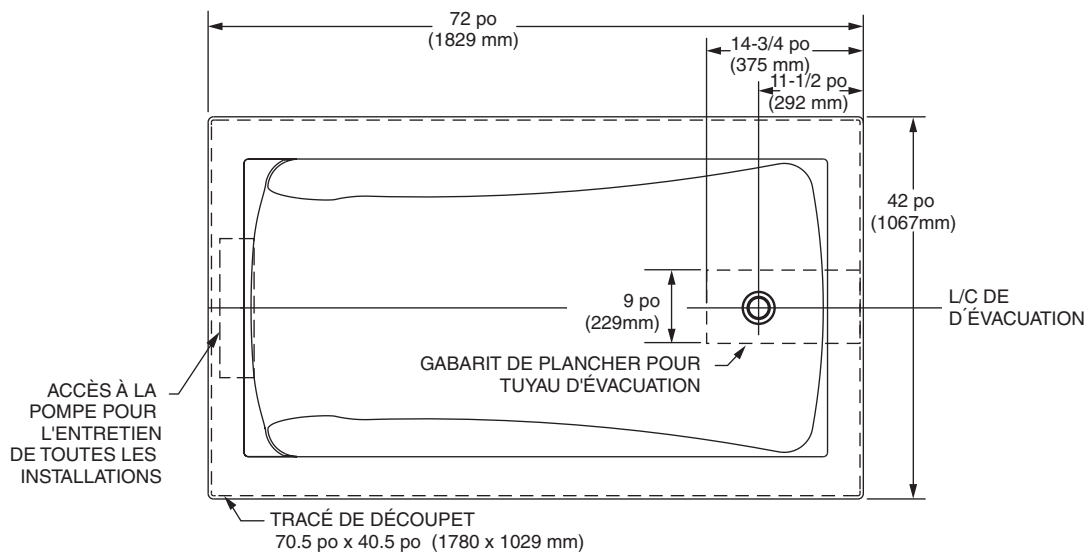


RÉFÉRENCES DE CANALISATION

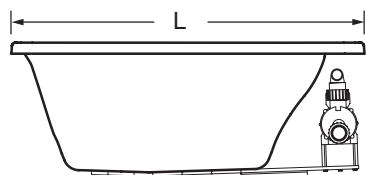
MODÈLE SÉRIE 3574



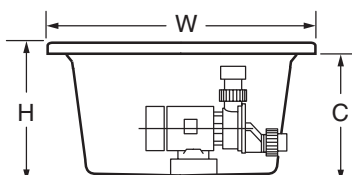
MODÈLE SÉRIE 3575



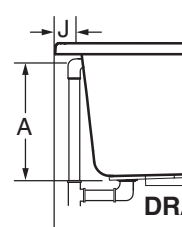
SPÉCIFICATIONS :



VUE LATÉRALE



EXTRÉMITÉ



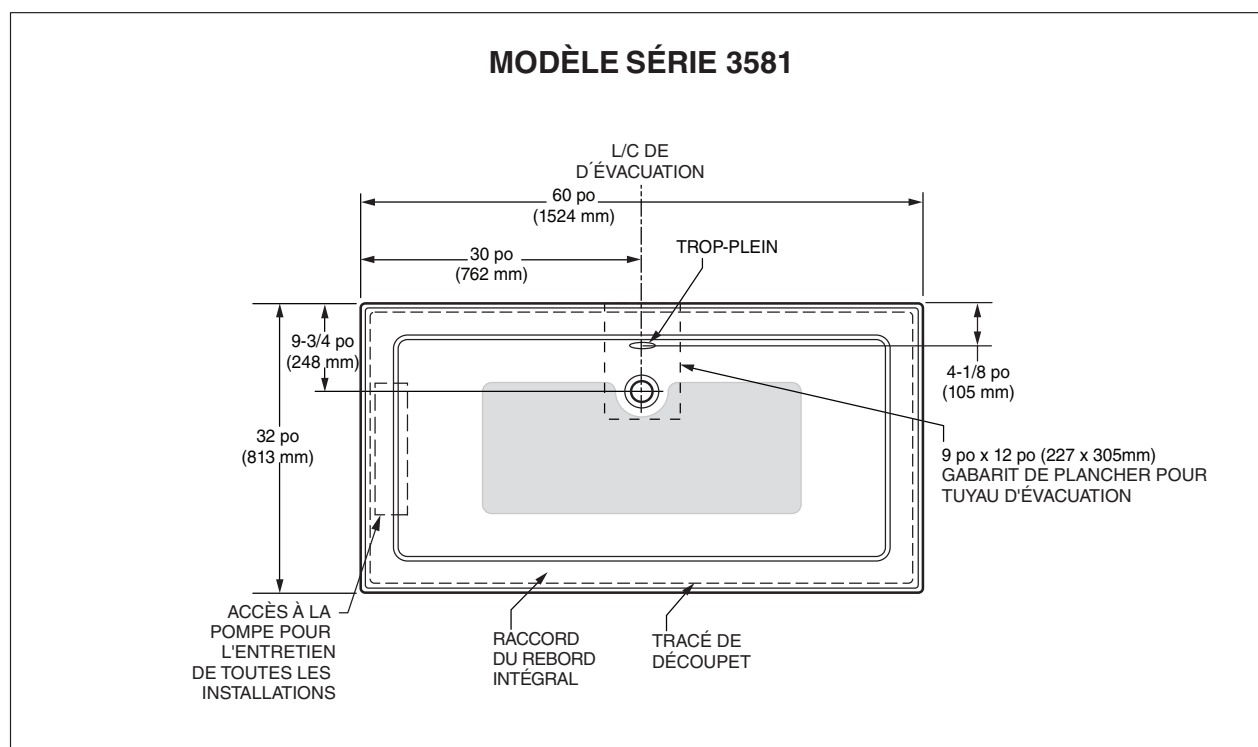
DRAIN / TROP PLEIN

CARACTÉRISTIQUES GÉNÉRALES DES BAIGNOIRES À REMOUS ET DES BAIGNOIRES SERIN

Description	Dimensions Longueur - largeur - hauteur	Drain / Trop plein	Hauteur de la surface inférieure du bord de tablier : C	Découpe Pilier G x F	Mesures fournies Renforce- ment E x D	Rebord de baignoire à la ligne du centre du trop-plein : J	Poids avec eau / charge au plancher	Produit Poids	Gallon jusqu'au trop-plein	Baignoire à remous Fonctionnement Volume
3581 Serin 5 pi x 32 po	Longueur 60 po (1524 mm) Largeur 32 po (813 mm) Hauteur 23 po (584 mm)	A 16-3/4 po (425 mm) B 10-1/4 po (260 mm)	C 20 po (508 mm)	58-1/2 po (1486 mm) x 30-1/2 po (775 mm)	60-3/16 po (1529 mm) x 30-1/2 po (775 mm)	4-1/8 po (105 mm)	597 lb. (271 kg)/ 45 lb./pi.c. (219 kg/m.c.)	85 lb. (37 kg.)	54 gal. (246 l.)	49 gal. (186 l.)

TABLEAU 7

RÉFÉRENCES DE CANALISATION



DIRECTIVES D'INSTALLATION ÉLECTRIQUE

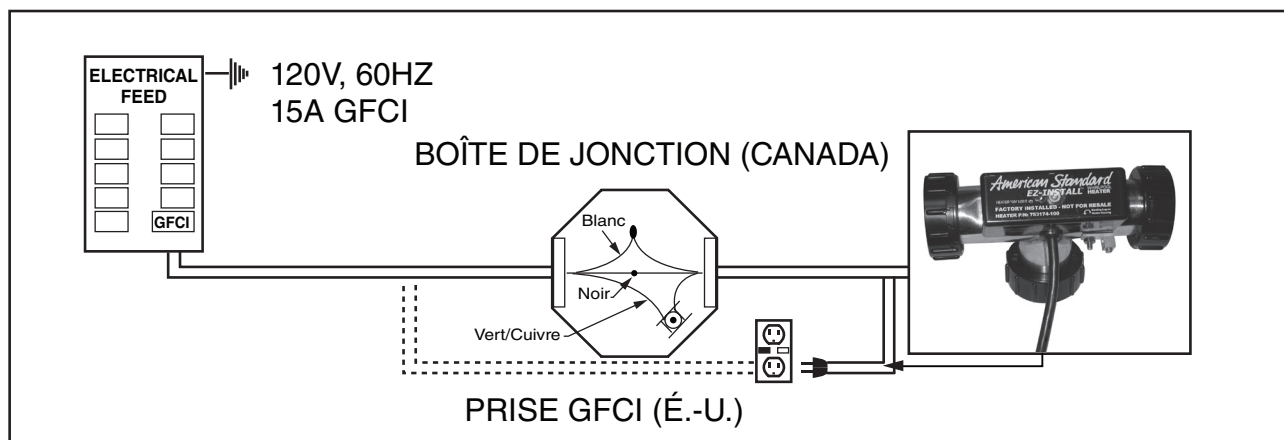
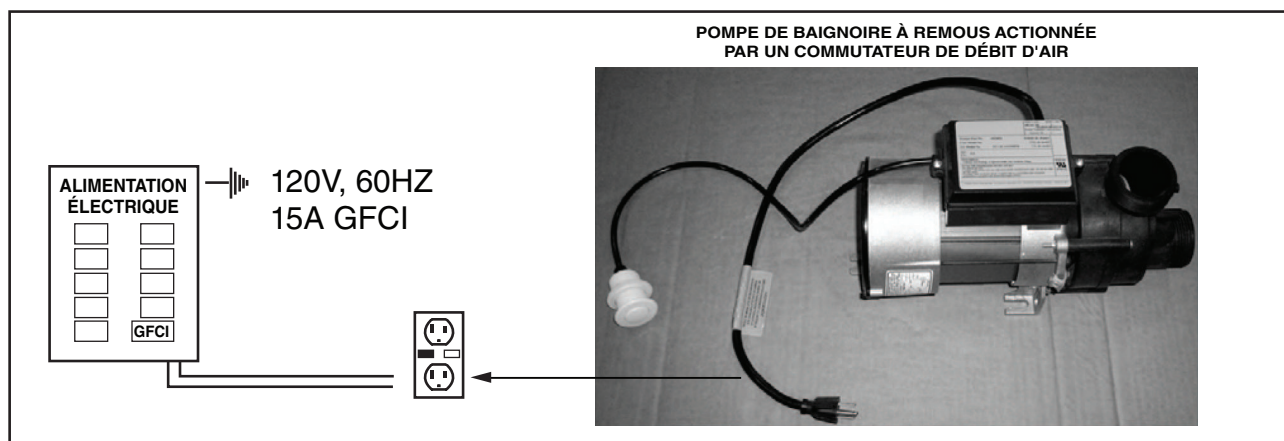
Le câblage doit être exécuté par un électricien qualifié conformément au code de l'électricité national et tout autre code applicable.

⚠ AVERTISSEMENT : Les précautions de base doivent toujours être observées lorsque vous utilisez des articles électriques, y compris les suivantes :

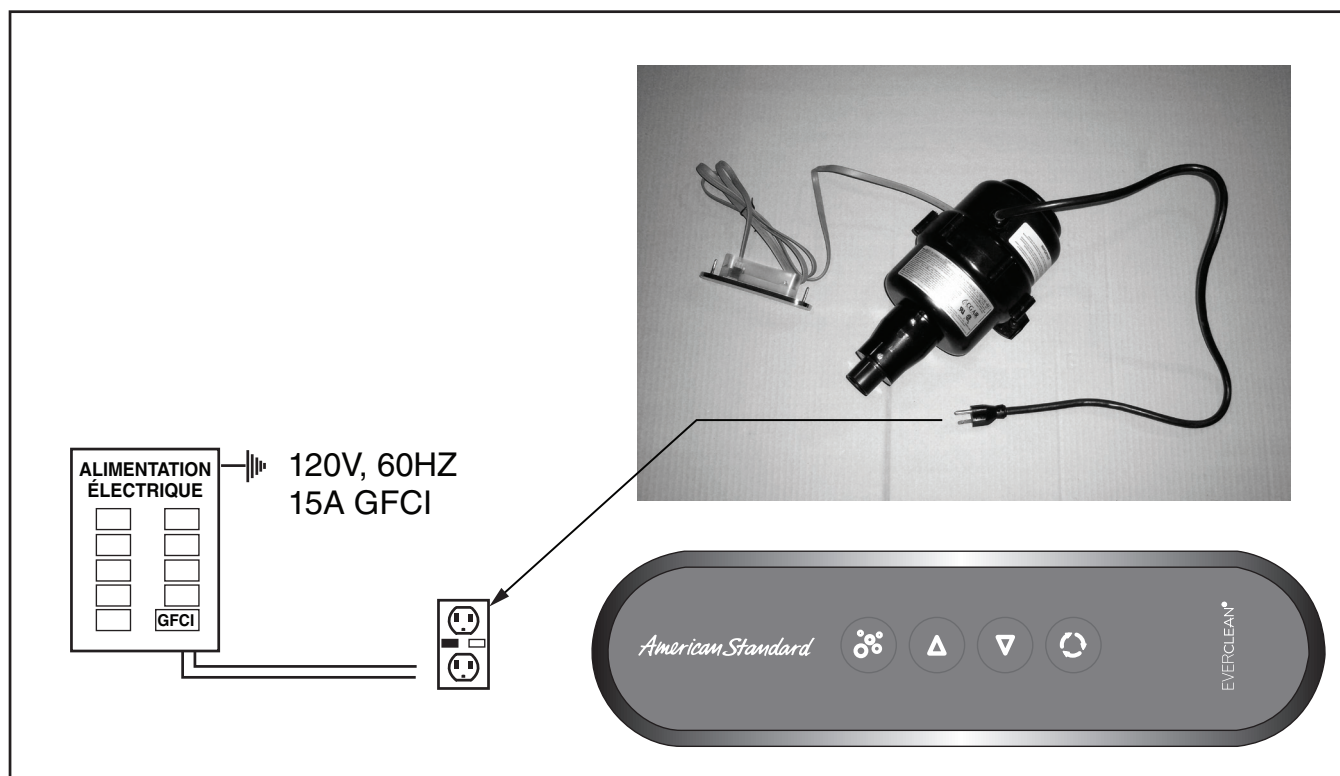
1. **DANGER : RISQUE DE CHOC ÉLECTRIQUE !** Connectez uniquement à un circuit protégé par un disjoncteur de fuite de terre.
2. Il est nécessaire de mettre le circuit à la terre. L'appareil doit être installé par un électricien qualifié et mis à la terre.
3. Assurez l'accès pour l'entretien du moteur comme indiqué.
4. Tous les matériaux de construction et le câblage doivent être éloignés du corps de la pompe et du chauffe-eau (si équipé).

Reportez-vous au schéma ci-dessous pour l'installation électrique appropriée selon la baignoire. Un circuit dédié de 15A avec protection GFCI (disjoncteur de fuite de terre) est requis.

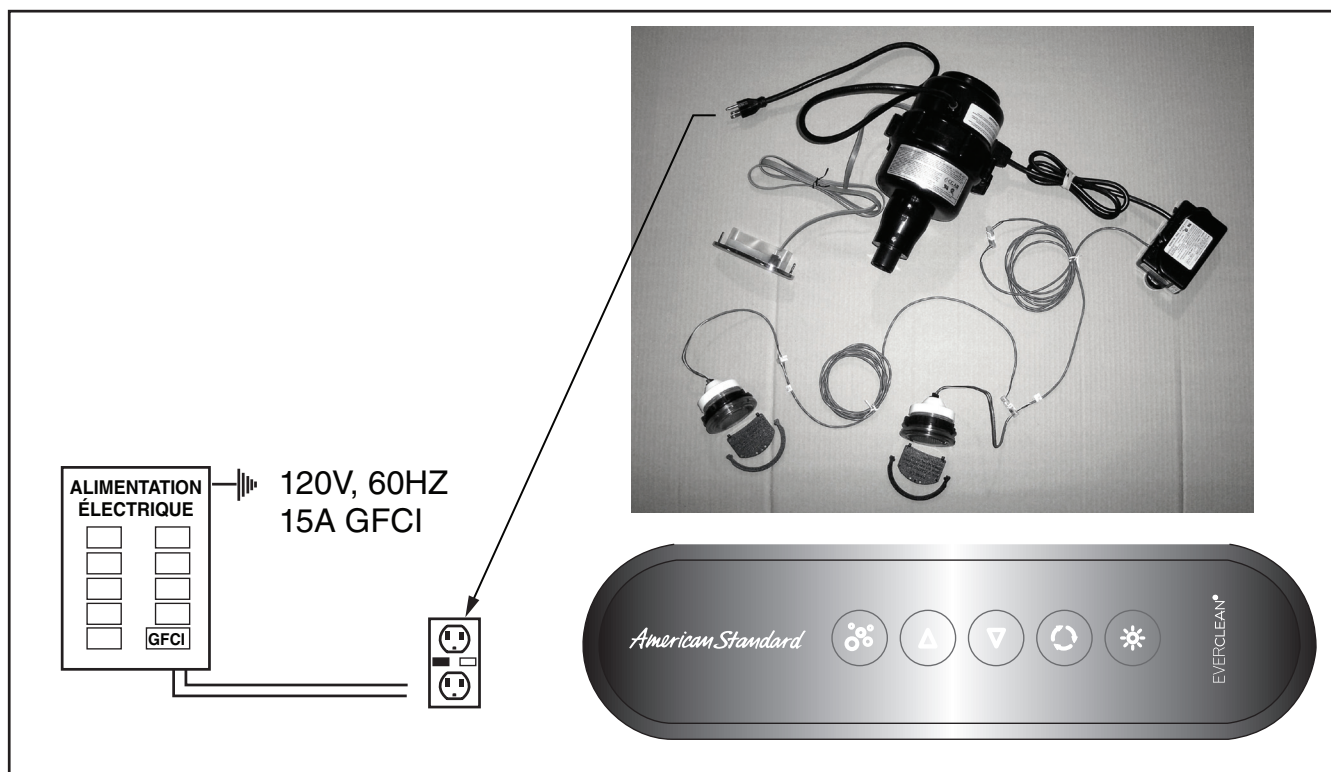
Au démarrage initial avec la tension, appuyez sur le bouton de test du GFCI. Le bouton de réinitialisation doit se déclencher. Enfoncez le bouton pour le réinitialiser. Si le GFCI ne fonctionne pas de cette façon, cela signifie qu'il y a un courant à la terre ou une défaillance pouvant produire un choc électrique. Coupez le courant et n'utilisez pas le dispositif tant que la source du problème n'aura pas été cernée et corrigée.



DIRECTIVES D'INSTALLATION ÉLECTRIQUE (suite)

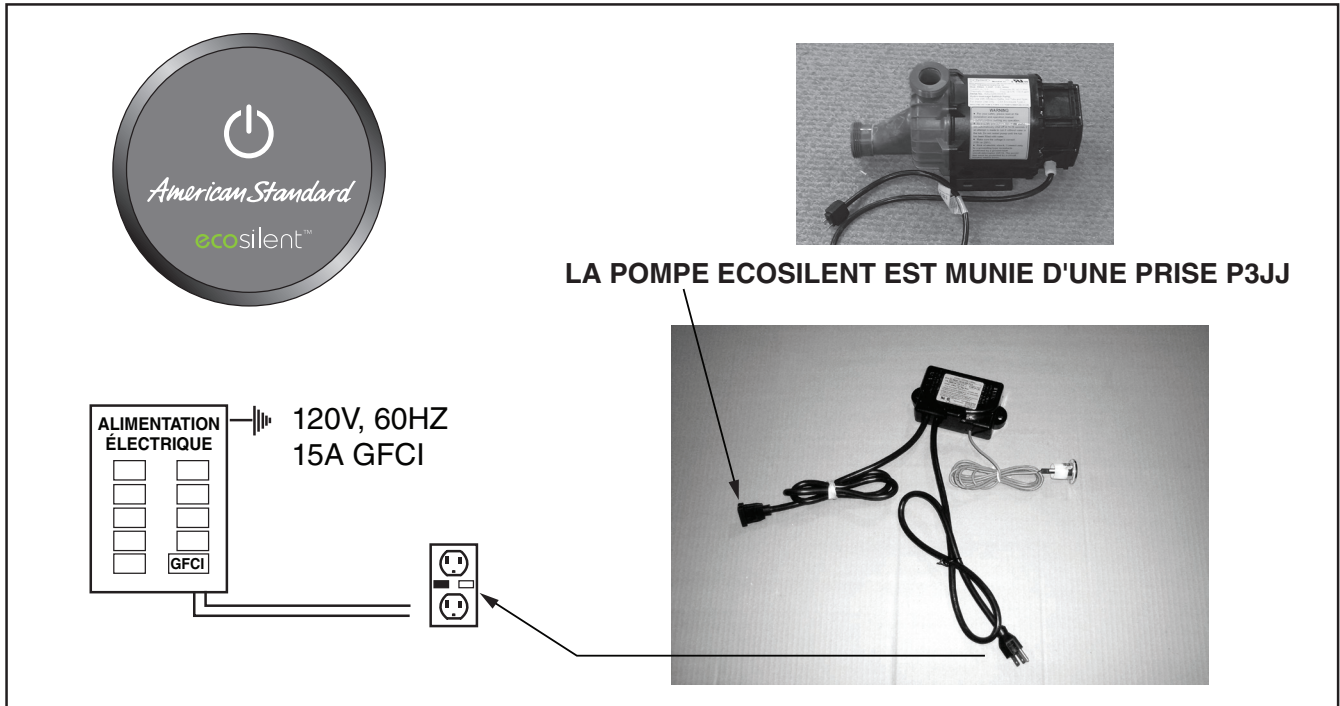


BAIGNOIRE À AIR À ACTIVATION ÉLECTRONIQUE (PANNEAU À 4 BOUTONS)

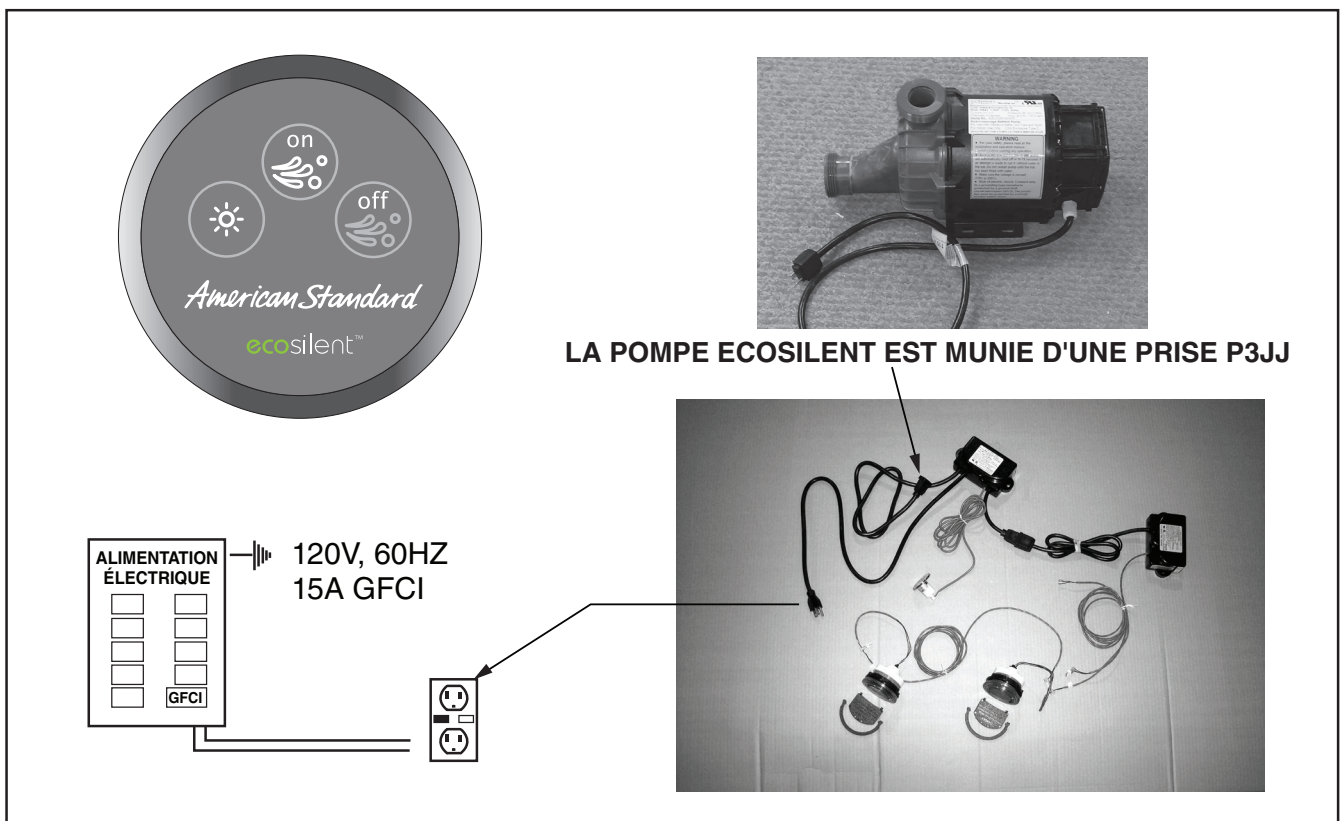


BAIGNOIRE À AIR À ACTIVATION ÉLECTRONIQUE AVEC LUMIÈRES (PANNEAU À 5 BOUTONS)

DIRECTIVES D'INSTALLATION ÉLECTRIQUE (suite)



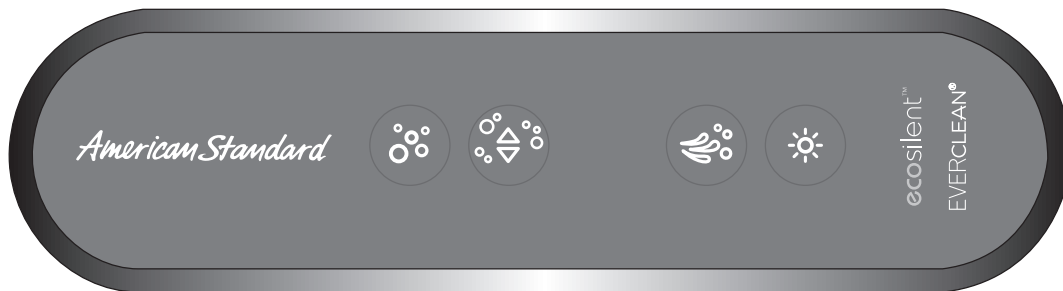
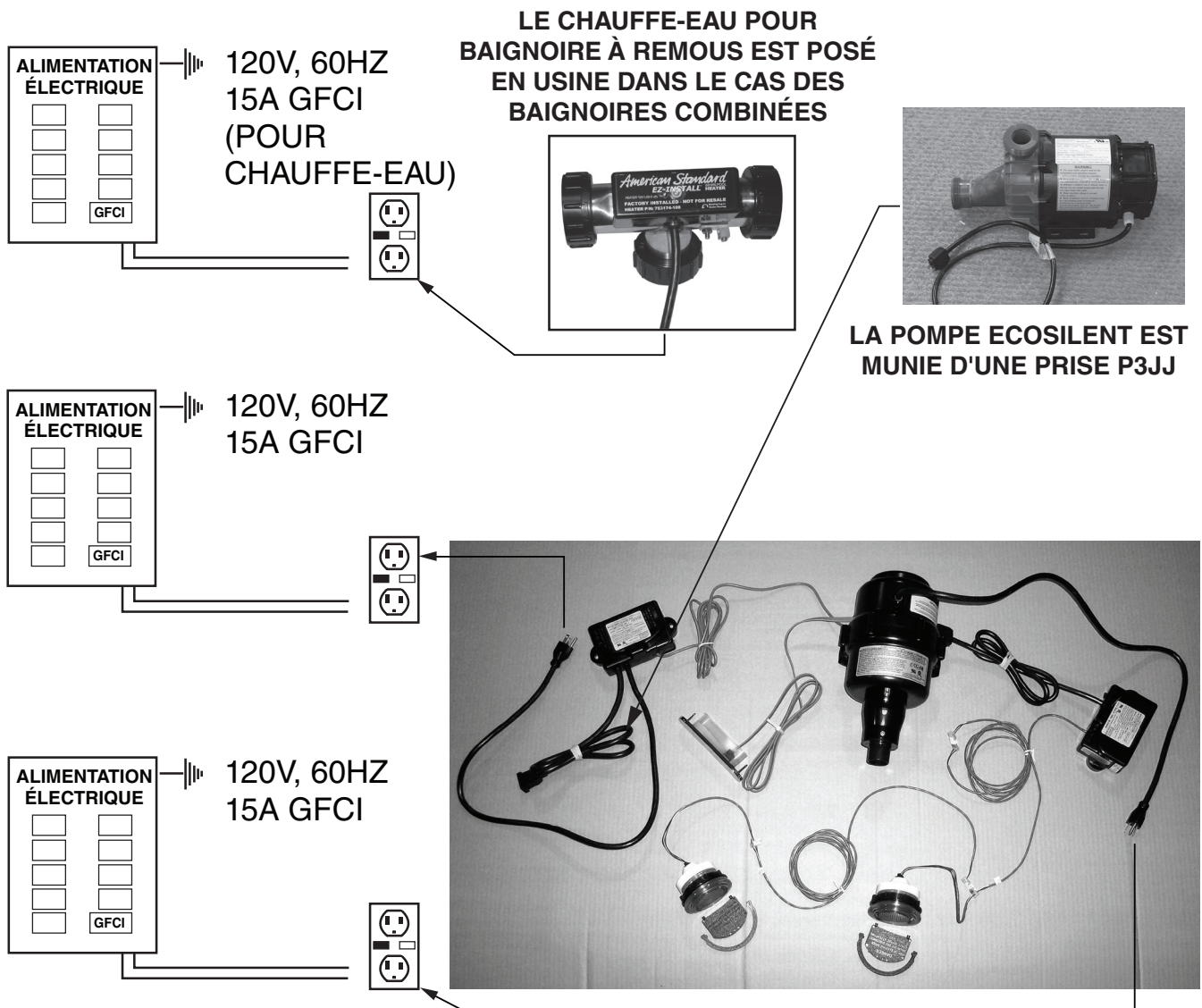
BAIGNOIRE À REMOUS ECOSILENT À ACTIVATION ÉLECTRONIQUE (PANNEAU À 1 BOUTON)



BAIGNOIRE À REMOUS ECOSILENT À ACTIVATION ÉLECTRONIQUE AVEC LUMIÈRES (PANNEAU À 3 BOUTONS)

DIRECTIVES D'INSTALLATION ÉLECTRIQUE (suite)

UTILISE TROIS PRISES GFCI (MARCHÉ AMÉRICAIN)

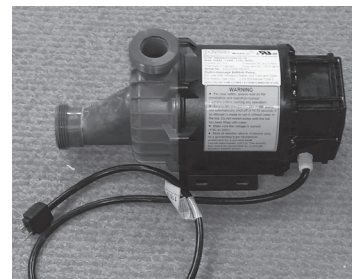
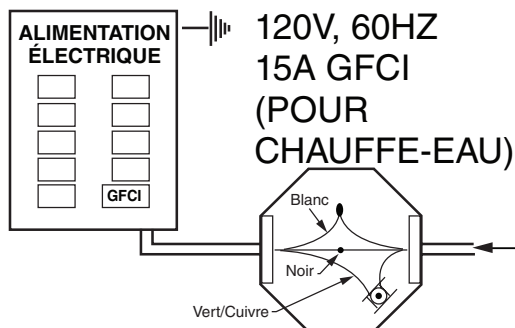


BAIGNOIRE COMBINÉE À ACTIVATION ÉLECTRONIQUE AVEC LUMIÈRES (PANNEAU À 4 BOUTONS)

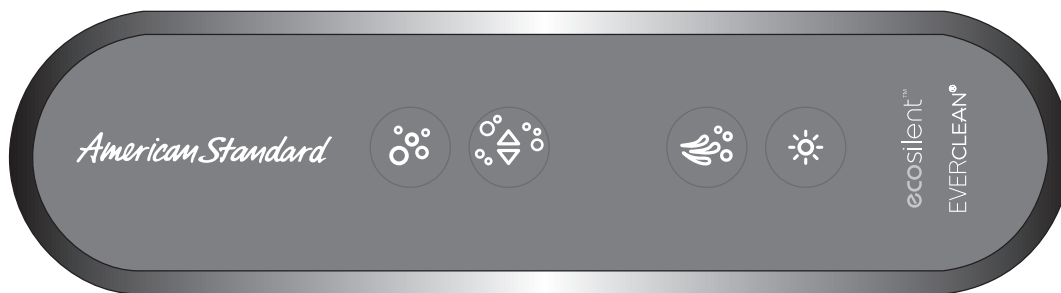
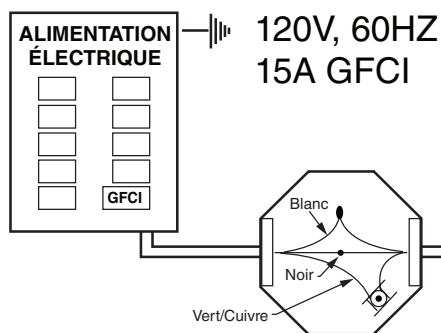
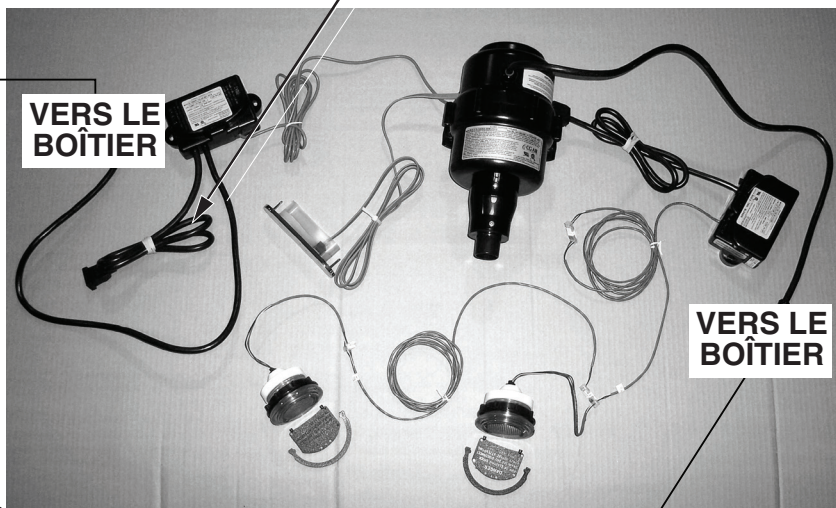
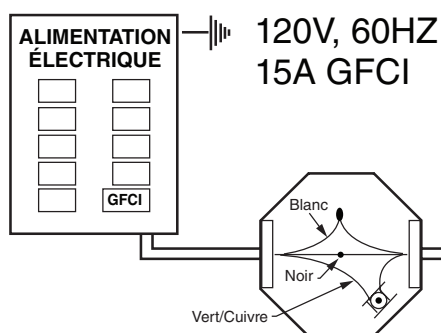
DIRECTIVES D'INSTALLATION ÉLECTRIQUE (suite)

UTILISEZ TROIS BOÎTES DE JONCTION
(MARCHÉ CANADIEN)

LE CHAUFFE-EAU POUR
BAIGNOIRE À REMOUS EST
POSÉ EN USINE DANS LE CAS
DES BAIGNOIRES COMBINÉES



LA POMPE
ECOSILENT EST MUNIE
D'UNE PRISE P3JJ



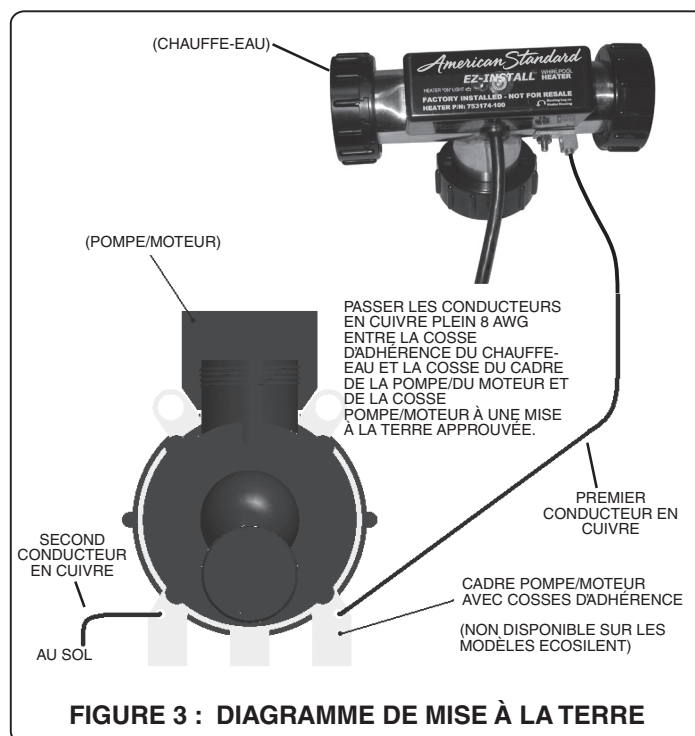
BAIGNOIRE COMBINÉE À ACTIVATION ÉLECTRONIQUE AVEC LUMIÈRES (Panneau à 4 boutons)

Directives d'installation électrique (suite)

Vérifier que le chauffage et la pompe sont bien MIS À LA TERRE et ADHÉRÉS comme requis. Fixer le conducteur en cuivre plein 8 AWG, fourni avec le chauffage, de la cosse d'adhérence du chauffage à la cosse d'adhérence du cadre du moteur comme illustré à la figure 3.

Le conducteur est fixé aux cosses avec des vis de fixation. Le cadre du moteur doit avoir un deuxième conducteur en cuivre plein 8 AWG connecté entre la cosse d'adhérence du cadre et le panneau électrique ou au point d'adhérence local approuvé comme illustré à la figure 3.

REMARQUE : Pour toutes les configurations avec pompe « EcoSilent », le boîtier de la pompe est en plastique. Par conséquent, le premier conducteur de cuivre fixé au chauffe-eau doit être mis à la masse directement au panneau électrique de la résidence ou à un point local d'adhérence. Ce type de configuration ne nécessite pas le second conducteur de cuivre illustré à la Figure 3.



FONCTIONNEMENT DU CHAUFFE-EAU POUR BAIGNOIRE À REMOUS

AVERTISSEMENT : Avant l'utilisation, revoyez les consignes de sécurité énumérées au début du présent manuel d'instruction.

Dès que le chauffe-eau est posé et que la pompe de la baignoire à remous fonctionne, le chauffe-eau est entièrement automatique. Le chauffe-eau aidera à maintenir la température de l'eau dans la baignoire.

Interrupteur de pression

Le chauffage est équipé d'un interrupteur de pression pré-réglé. La pompe doit être en marche et l'eau doit circuler dans la baignoire à remous pour permettre la mise en marche du chauffe-eau.

Témoin lumineux

Le témoin s'illumine lorsque le chauffe-eau fonctionne.

Interrupteur de limite élevée

Le chauffe-eau est doté de la fonction exclusive « Intelligent High-Limit ». Cette sécurité de circuit ne déclenchera pas l'ajout d'eau chaude du robinet. Il éteindra uniquement le chauffe-eau en cas de défaillance du thermostat.

S'il se déclenche souvent parce que la limite élevée est souvent atteinte, appelez un technicien de service. Pour remettre à zéro manuellement le circuit si l'interrupteur de « limite élevée » a été activé, simplement

- (1) Arrêter la pompe de la baignoire à remous.
- (2) Vider l'eau de la baignoire.
- (3) Couper le courant du chauffe-eau en débranchant la prise ou en fermant le disjoncteur.
- (4) Le circuit du chauffe-eau se remettra à zéro automatiquement en moins de 15 minutes.
- (5) Remettre le courant au chauffe-eau.
- (6) La baignoire à remous est maintenant prête à l'emploi.

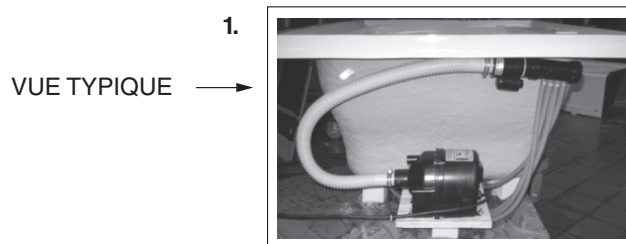


FIGURE 4 : TÉMOIN LUMINEUX DU CHAUFFE-EAU DE LA BAIGNOIRE À REMOUS

OPTION D'EMPLACEMENT ÉLOIGNÉ DU SOUFFLEUR

IMPORTANT ! Il n'est pas nécessaire de déplacer le moteur du souffleur. Cette option est offerte dans le cas où une installation en particulier rend cet effort pratique.

REMARQUE : Il faudra démonter le souffleur à air du tableau de montage pour déplacer le moteur du souffleur depuis l'emplacement d'usine, voir photo 1. Conservez toute la visserie pour refixer au nouvel emplacement. Selon l'emplacement final souhaité du souffleur à air, d'autre visserie sera peut être nécessaire. Veuillez respecter toutes les directives indiquées ci-après.



REMARQUE : L'installation du souffleur dans un emplacement éloigné réduira l'efficacité du système.

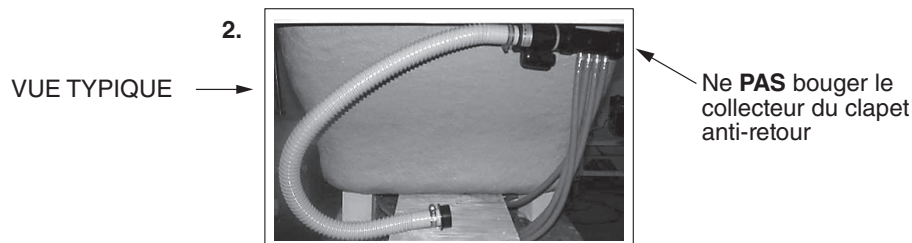
REMARQUE : Un accès de service au souffleur sera quand même nécessaire si le moteur du souffleur est déplacé.

REMARQUE : Tous les matériaux nécessaires au déplacement doivent être fournis par l'installateur. Ceci comprend la commande d'un câble plus long pour le panneau de commande (754025-0073A), un flexible de souffleur plus long (753960-2030A) et jusqu'à deux extensions pour câbles d'éclairage dans le cas des modèles combinés (754512-0070A).

Un circuit séparé, protégé par un disjoncteur de fuite de terre (GFCI), est nécessaire pour un emplacement éloigné. Les raccordements électriques doivent être exécutés par un électricien qualifié.

Le moteur du souffleur doit se trouver au moins à 15 pieds de la canalisation du collecteur de la baignoire. Cette limite s'applique à toute la longueur du tuyau ainsi qu'à tous les changements de sens et aux coudes. Il est préférable d'avoir le moins de changements de sens que possible.

Déconnectez le souffleur du tuyau flexible comme illustré sur la photo 2. Ne PAS enlever la canalisation du collecteur du clapet anti-retour montée sur le bas côté de la baignoire à air. La rampe DOIT demeurer au dessus du niveau de trop plein de la baignoire comme illustré sur 2.



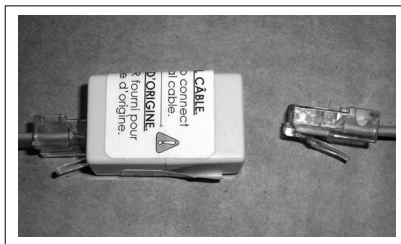
Remplacez le flexible illustré à la photo 2 par le flexible plus long (n° réf. 753960-2030A) à l'aide des brides de flexibles existantes.

REMARQUE : Ne PAS retirer le câble original sortant du souffleur. Brancher plutôt le câble plus long (P/N 754025-0073A) dans le câble existant qui sort du souffleur de la manière illustrée à la photo 3. Brancher ensuite l'autre extrémité du câble plus long dans le panneau de commande se trouvant au niveau de la paroi de la baignoire.

VERS LE PANNEAU DE COMMANDE ←

3.

CÂBLE 754025-0073A
(COMPREND LE BÔITIER
ADAPTATEUR ILLUSTRÉ)



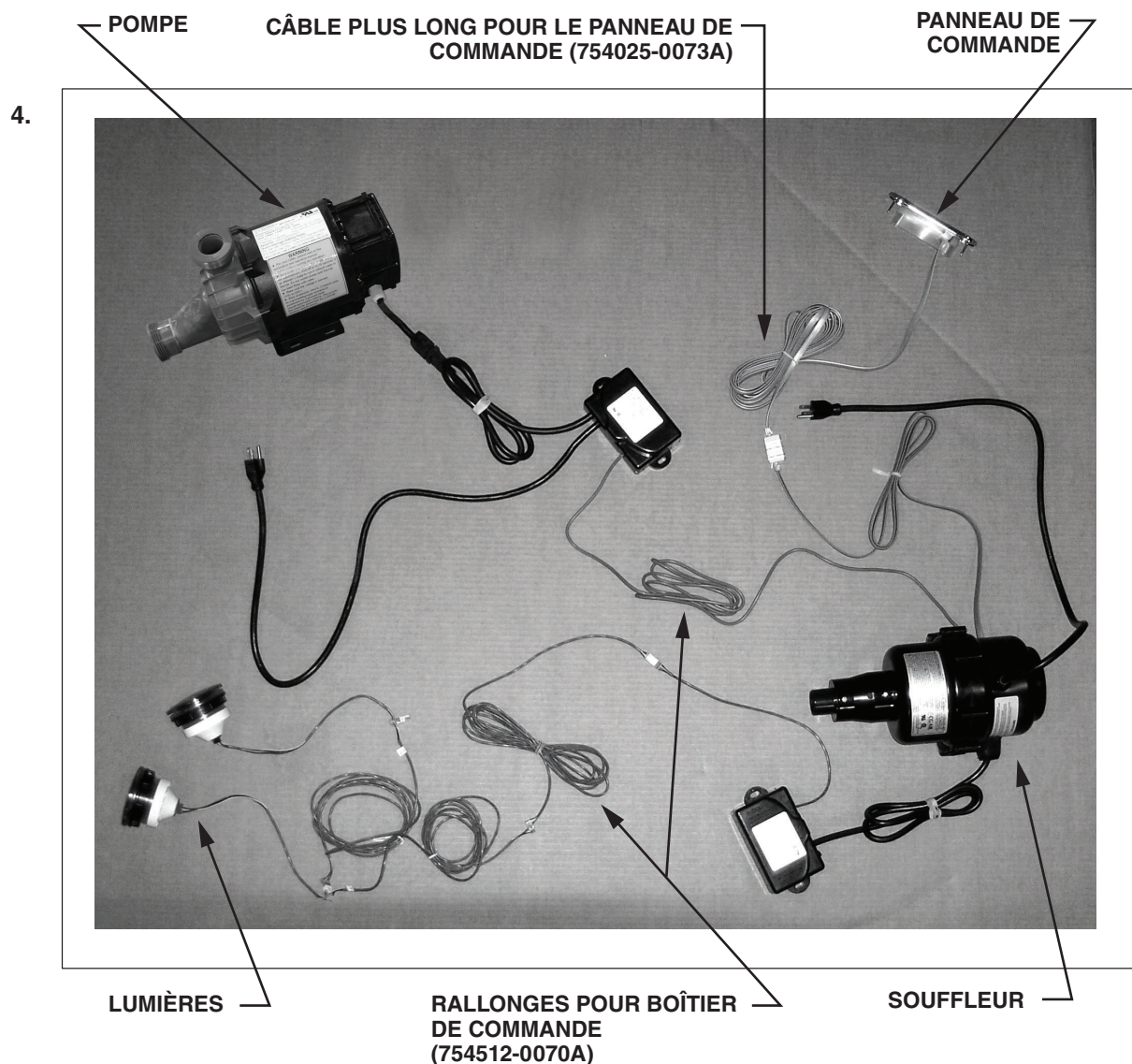
→ VERS LE SOUFFLEUR

CÂBLE
EXISTANT

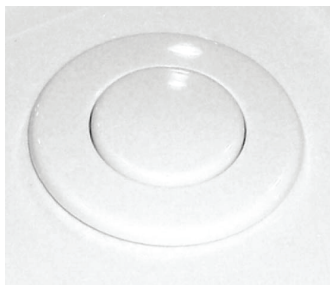
OPTION D'EMPLACEMENT ÉLOIGNÉ DU SOUFFLEUR (suite)

POUR LA CONFIGURATION BAIGNOIRE À REMOUS/À AIR COMBINÉE UNIQUEMENT :

Jusqu'à deux rallonges supplémentaires pour boîtier de commande (n° réf. 754512-0070A) sont requis selon ce qui est illustré à la photo 4 (ci-dessous). Étendez tout simplement les câbles se rendant au souffleur en y ajoutant les câbles de rallonge. Faites attention pour ne pas endommager les connexions du câble et ne branchez jamais les câbles lorsque le courant est appliqué au souffleur ou à la pompe.



Fonctionnement : Baignoire à remous à une vitesse



AIR INTERRUPTEUR



INTERRUPTEUR ÉLECTRONIQUE

PRENDRE UN BAIN :

- Remplissez la baignoire avec de l'eau à une température agréable pour se baigner - Si la baignoire à remous est équipée du chauffe-eau EZ optionnel, celui-ci maintiendra automatiquement la température de l'eau.
- **IMPORTANT** : Ne remplissez pas la baignoire à plus du 2/3 avant d'y entrer, car elle peut déborder.
- **IMPORTANT** : NE versez PAS d'huiles ni de sels de bain – ils peuvent endommager la pompe de la baignoire.
- **IMPORTANT** : Le niveau de l'eau doit être au moins à 25 mm (1 po) au-dessus du jet le plus haut avant de démarrer la baignoire à remous.
La pompe peut subir des dommages si vous faites fonctionner le système sans eau (fonctionnement à sec) pour une longue période, annulant, par conséquent, la garantie.
- **IMPORTANT** : La baignoire à remous EcoSilent NE fonctionnera PAS à moins que le niveau de l'eau soit à au moins 25 mm (1 po) au-dessus du jet le plus haut.

MISE EN MARCHÉ DE LA BAIGNOIRE À REMOUS :

- Appuyez sur le bouton on/off (marche/arrêt) pour mettre la baignoire à remous en marche.

ARRÊT DE LA BAIGNOIRE À REMOUS :

- Appuyez à nouveau sur le bouton on/off (marche/arrêt) pour arrêter la baignoire à remous.

RÉGLAGES DU VOLUME D'AIR :

- Les remous de l'eau sont déterminés par la quantité d'air mélangée à l'eau. Tournez la commande d'air dans le sens antihoraire pour obtenir plus de remous et dans le sens horaire pour produire moins de remous.

RÉGLAGES DU DÉBIT DES JETS :

- Le débit de l'eau peut être réglé allant d'un débit vigoureux à doux en tournant le gicleur dans le sens antihoraire pour vigoureux et dans le sens horaire pour plus doux.
- Le débit d'eau des mini-jets au niveau de la région lombaire de la baignoire (si équipée) peut être réglé en tournant la valve de contrôle du débit des mini-jets en position ouverte (sens antihoraire) ou en position fermée (sens horaire). Les mini-jets en eux-mêmes NE sont PAS réglables.

Fonctionnement : Baignoire à remous EcoSilent avec lumières



INTERRUPTEUR ÉLECTRONIQUE À TROIS BOUTONS

COULEURS	
1 ^{RE}	BLANC
2 ^E	CYCLE LENT ARC-EN-CIEL
3 ^E	CYCLE RAPIDE ARC-EN-CIEL
4 ^E	TURQUOISE
5 ^E	BLEU
6 ^E	MAGENTA
7 ^E	ROUGE
8 ^E	ORANGE
9 ^E	JAUNE
10 ^E	VERT
11 ^E	REVENIR AU CYCLE LENT ARC-EN-CIEL

PRENDRE UN BAIN :

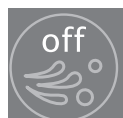
- Remplissez le bain avec de l'eau à une température confortable – Si la baignoire à remous est équipée du chauffe-eau EZ optionnel, celui-ci maintiendra automatiquement la température de l'eau.
- **IMPORTANT** : Ne remplissez pas la baignoire à plus du 2/3 avant d'y entrer, car elle peut déborder.
- **IMPORTANT** : NE versez PAS d'huiles ni de sels de bain – ils peuvent endommager la pompe de la baignoire.
- **IMPORTANT** : Le niveau de l'eau doit être au moins à 25 mm (1 po) au-dessus du jet le plus haut avant de démarrer la baignoire à remous.

La pompe peut subir des dommages si vous faites fonctionner le système sans eau (fonctionnement à sec) pour une longue période, annulant, par conséquent, la garantie.

- **IMPORTANT** : La baignoire à remous EcoSilent NE fonctionnera PAS à moins que le niveau de l'eau ne soit à au moins 25 mm (1 po) au-dessus du jet le plus haut.



- Appuyez sur le bouton « on » (marche) pour mettre en marche la pompe de la baignoire à remous.



- Appuyez sur le bouton « off » (arrêt) pour arrêter la pompe de la baignoire à remous.



- Appuyez sur ce bouton à une reprise pour mettre en marche l'éclairage de chromothérapie. Le cycle débute sur blanc.
- Il s'allume et s'éteint en trois secondes; il passera au cycle arc-en-ciel lent et ainsi de suite en fonction du tableau des couleurs illustré ci-haut.

RÉGLAGES DU VOLUME D'AIR :

Les remous de l'eau sont déterminés par la quantité d'air mélangée à l'eau. Tournez la commande d'air dans le sens antihoraire pour obtenir plus de remous et dans le sens horaire pour produire moins de remous.

RÉGLAGES DU DÉBIT DES JETS :

- Le débit de l'eau peut être réglé allant d'un débit vigoureux à doux en tournant le gicleur dans le sens antihoraire pour vigoureux et dans le sens horaire pour plus doux.
- Le débit d'eau des mini-jets au niveau de la région lombaire de la baignoire (si équipée) peut être réglé en tournant la valve de contrôle du débit des mini-jets en position ouverte (sens antihoraire) ou en position fermée (sens horaire). Les mini-jets en eux-mêmes NE sont PAS réglables.





Fonctionnement : Baignoire à air

PRENDRE UN BAIN :

- **IMPORTANT : N'AJOUTEZ PAS D'HUILE OU DE SEL DE BAIN**, car ces produits endommagent la pompe de remous et la surface en acrylique.
- Ouvrez le drain en tournant le bouton du drain de trop-plein dans le sens antihoraire.
- Remplissez la baignoire avec de l'eau à une température confortable.

FONCTIONNEMENT DU SYSTÈME DE MASSAGE À L'AIR :



	ARRÊT/MARCHE : Appuyez une fois sur ce bouton pour activer le souffleur à air. Appuyez à nouveau sur ce bouton pour désactiver le souffleur à air.
	AUGMENTER LA VITESSE DE L'AIR : Appuyez sur ce bouton pour passer à la vitesse supérieure suivante.
	DIMINUER LA VITESSE DE L'AIR : Appuyez sur ce bouton pour passer à la vitesse inférieure suivante.
	FONCTION VAGUE : Appuyez sur ce bouton pour lancer la fonction des vagues (le bouton s'illuminera). La vitesse du souffleur variera constamment entre rapide et lente. Appuyez de nouveau pour quitter la fonction des vagues (le bouton s'éteindra).

QUITTER LA BAIGNOIRE

- Assurez-vous que le souffleur à air est fermé avant de vider la baignoire.
- Ouvrez le drain en tournant le bouton du drain dans le sens horaire.

OPTIONS DU CYCLE DE SÉCHAGE

CYCLE DE SÉCHAGE STANDARD

Un cycle de séchage automatique débutera 20 minutes après l'arrêt du souffleur. Les DEL du souffleur clignotent avant le cycle de purge.

CYCLE DE SÉCHAGE PROGRAMMABLE 24 HEURES

Le système doit être arrêté avant l'activation ou la désactivation.

Activation : Déterminez à quel moment vous désirez que la purge soit activée. À ce moment précis, appuyez sur le second bouton sur le clavier et maintenez-le enfoncé pendant cinq (5) secondes; toutes les DEL vont clignoter à deux reprises. Le cycle de purge s'effectuera alors à l'heure programmée toutes les 24 heures. En cas de panne de courant, le programme sera automatiquement désactivé.

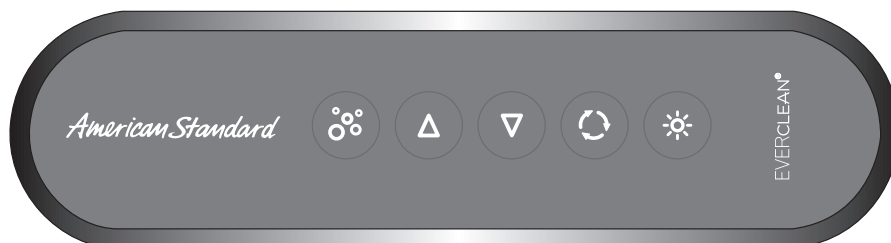
Désactivation : Appuyez sur le second bouton sur le clavier et maintenez-le enfoncé pendant cinq (5) secondes; toutes les DEL vont clignoter à une reprise pour confirmer la désactivation.





Fonctionnement : Baignoire à air avec lumières

PRENDRE UN BAIN :


- **IMPORTANT** : N'AJOUTEZ PAS D'HUILE OU DE SEL DE BAIN, car ces produits endommagent la pompe de remous et la surface en acrylique.
- Ouvrez le drain en tournant le bouton du drain de trop-plein dans le sens antihoraire.
- Remplissez la baignoire avec de l'eau à une température confortable.

FONCTIONNEMENT DU SYSTÈME DE MASSAGE À L'AIR ET DE LA CHROMATHÉRAPIE



	ARRÊT/MARCHE : Appuyez une fois sur ce bouton pour activer le souffleur à air. Appuyez à nouveau sur ce bouton pour désactiver le souffleur à air.
	AUGMENTER LA VITESSE DE L'AIR : Appuyez sur ce bouton pour passer à la vitesse supérieure suivante.
	DIMINUER LA VITESSE DE L'AIR : Appuyez sur ce bouton pour passer à la vitesse inférieure suivante.
	FONCTION VAGUE : Appuyez sur ce bouton pour lancer la fonction des vagues (le bouton s'illuminera). La vitesse du souffleur variera constamment entre rapide et lente. Appuyez de nouveau pour quitter la fonction des vagues (le bouton s'éteindra).

COULEURS	
1 ^{RE}	BLANC
2 ^E	CYCLE LENT ARC-EN-CIEL
3 ^E	CYCLE RAPIDE ARC-EN-CIEL
4 ^E	TURQUOISE
5 ^E	BLEU
6 ^E	MAGENTA
7 ^E	ROUGE
8 ^E	ORANGE
9 ^E	JAUNE
10 ^E	VERT
11 ^E	REVENIR AU CYCLE LENT ARC-EN-CIEL

	<ul style="list-style-type: none"> • Appuyez sur ce bouton à une reprise pour mettre en marche l'éclairage de chromathérapie. Le cycle débute sur blanc. • Il s'allume et s'éteint en trois secondes; il passera au cycle arc-en-ciel lent et ainsi de suite en fonction du tableau des couleurs illustré ci-haut.
---	--

Fonctionnement : Baignoire à air avec lumières (suite)

QUITTER LA BAIGNOIRE

- Assurez-vous que le souffleur à air est fermé avant de vider la baignoire.
- Ouvrez le drain en tournant le bouton du drain dans le sens horaire.

OPTIONS DU CYCLE DE SÉCHAGE

CYCLE DE SÉCHAGE STANDARD

Un cycle de séchage automatique débutera 20 minutes après l'arrêt du souffleur. Les DEL du souffleur clignotent avant le cycle de purge.

CYCLE DE SÉCHAGE PROGRAMMABLE 24 HEURES

Le système doit être arrêté avant l'activation ou la désactivation.

Activation : Déterminez à quel moment vous désirez que la purge soit activée. À ce moment précis, appuyez sur le second bouton sur le clavier et maintenez-le enfoncé pendant cinq (5) secondes; toutes les DEL vont clignoter à deux reprises. Le cycle de purge s'effectuera alors à l'heure programmée toutes les 24 heures. En cas de panne de courant, le programme sera automatiquement désactivé.

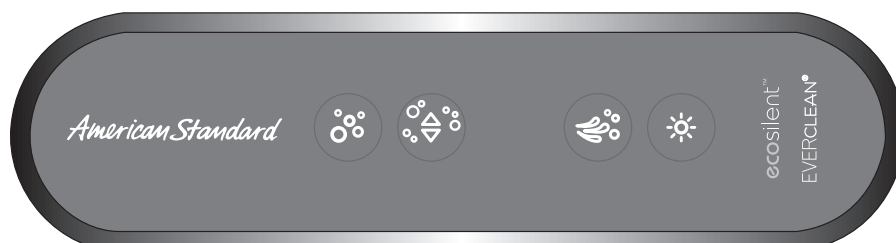
Désactivation : Appuyez sur le second bouton sur le clavier et maintenez-le enfoncé pendant cinq (5) secondes; toutes les DEL vont clignoter à une reprise pour confirmer la désactivation.




Fonctionnement : Baignoire combinée avec lumières

PRENDRE UN BAIN :


- **IMPORTANT** : N'AJOUTEZ PAS D'HUILE OU DE SEL DE BAIN, car ces produits endommagent la pompe de remous et la surface en acrylique.
- Ouvrez le drain en tournant le bouton du drain de trop-plein dans le sens antihoraire.
- Remplissez la baignoire avec de l'eau à une température confortable.

FONCTIONNEMENT DU SYSTÈME DE MASSAGE À L'AIR ET DE LA CHROMATHÉRAPIE



	<ul style="list-style-type: none"> • Appuyez sur ce bouton pour activer le souffleur. • Appuyez à nouveau sur ce bouton pour désactiver le souffleur.
	<ul style="list-style-type: none"> • Appuyez sur ce bouton et maintenez-le enfoncé pour passer à une vitesse supérieure du souffleur. Relâchez le bouton à la vitesse souhaitée. • Appuyez sur le bouton et maintenez-le enfoncé pour passer à une vitesse inférieure du souffleur. Relâchez le bouton à la vitesse souhaitée.
	<ul style="list-style-type: none"> • Appuyez sur ce bouton pour mettre en marche la pompe de la baignoire à remous. • Appuyez sur ce bouton pour arrêter la pompe de la baignoire à remous.

COULEURS	
1 ^{RE}	BLANC
2 ^E	CYCLE LENT ARC-EN-CIEL
3 ^E	CYCLE RAPIDE ARC-EN-CIEL
4 ^E	TURQUOISE
5 ^E	BLEU
6 ^E	MAGENTA
7 ^E	ROUGE
8 ^E	ORANGE
9 ^E	JAUNE
10 ^E	VERT
11 ^E	REVENIR AU CYCLE LENT ARC-EN-CIEL

	<ul style="list-style-type: none"> • Appuyez sur ce bouton à une reprise pour mettre en marche l'éclairage de chromathérapie. Le cycle débute sur blanc. • Il s'allume et s'éteint en trois secondes; il passera au cycle arc-en-ciel lent et ainsi de suite en fonction du tableau des couleurs illustré ci-haut.
---	--

Fonctionnement : Baignoire combinée avec lumières (suite)

QUITTER LA BAIGNOIRE

- Assurez-vous que le souffleur à air est fermé avant de vider la baignoire.
- Ouvrez le drain en tournant le bouton du drain dans le sens horaire.

OPTIONS DU CYCLE DE SÉCHAGE

CYCLE DE SÉCHAGE STANDARD

Un cycle de séchage automatique débutera 20 minutes après l'arrêt du souffleur. Les DEL du souffleur clignotent avant le cycle de purge.

CYCLE DE SÉCHAGE PROGRAMMABLE 24 HEURES

Le système doit être arrêté avant l'activation ou la désactivation.

Activation : Déterminez à quel moment vous désirez que la purge soit activée. À ce moment précis, appuyez sur le second bouton sur le clavier et maintenez-le enfoncé pendant cinq (5) secondes; toutes les DEL vont clignoter à deux reprises. Le cycle de purge s'effectuera alors à l'heure programmée toutes les 24 heures. En cas de panne de courant, le programme sera automatiquement désactivé.

Désactivation : Appuyez sur le second bouton sur le clavier et maintenez-le enfoncé pendant cinq (5) secondes; toutes les DEL vont clignoter à une reprise pour confirmer la désactivation.

Votre baignoire à remous American Standard est conçue afin de vous procurer de nombreuses années de plaisir avec un minimum d'entretien et de soins.

Votre nouvelle baignoire en acrylique est solide, durable et facile à entretenir. Les couleurs ont été formulées afin de se coordonner aux autres appareils American Standard et de rehausser la décoration de votre salle de bain. La surface à lustre élevé conservera son lustre avec des soins et un entretien appropriés.

NETTOYAGE ET ENTRETIEN

- Remplissez toujours la baignoire avec de l'eau tempérée. De l'eau très chaude (plus de 130° F) peut causer des dommages à la surface.
- Enlevez le tapis de bain après l'emploi et suspendez-le pour le faire sécher. La surface pourrait être endommagée si vous laissez le tapis de bain sécher dans la baignoire.
- Nettoyez avec un détergent ménager liquide doux après chaque utilisation. N'actionnez pas les jets en présence de produits de nettoyage.

N'utilisez pas : de nettoyant Lestoil®, le désinfectant Lysol® (vaporisateur ou concentré), ni du Lysol® pour nettoyer cuvette, baignoire et carrelage ; de nettoyant Windex®, Monsieur Net®, de nettoyant désinfectant pour salle de bain Dow® ou des produits de nettoyage en vaporisateur.

IL NE FAUT JAMAIS UTILISER DE PRODUITS CHIMIQUES RÊCHES SUR LES SURFACES EN ACRYLIQUE.

- N'utilisez pas de brosse métallique, de couteaux, ni d'objets tranchants pour éliminer les taches ou toutes autres imperfections sur la surface.
- L'utilisation de produits de nettoyage abrasifs ou en poudre ternira la surface. Si la surface perd de son lustre, les parties ternies peuvent être partiellement restaurées en frottant avec une pâte à polir blanche pour carrosserie et en cirant avec une cire liquide.
Ne cirez pas les surfaces où vous marchez ni où vous vous tenez debout.
- N'échappez pas de dissolvant de vernis à ongles, d'acétone, de liquide pour nettoyage à sec, de décapant ou autres solvants sur la surface.
- Nettoyez immédiatement le pourtour après l'utilisation de produits de nettoyage de drain.
Ne laissez pas de produit de nettoyage pénétrer le système de circulation.
- Les brûlures de cigarette endommageront irrémédiablement la surface de la baignoire à air.

NETTOYAGE/PURGE DU SYSTÈME DE CIRCULATION

Il faut purger et nettoyer le système de circulation une fois par mois. Veuillez suivre les étapes décrites ci-après :

1. Remplissez la baignoire à remous avec de l'eau chaude et ajoutez deux cuillères à thé de détergent en poudre pour lave-vaisselle (pas pour le lave-linge) et une demi-tasse de javellisant ménager.
2. Activez le circuit de la baignoire à remous conformément aux directives et faites fonctionner le circuit pendant deux minutes.
3. Vidangez et remplissez à nouveau la baignoire avec de l'eau froide. Faites circuler pendant cinq minutes.
4. Videz complètement la baignoire à remous lorsque l'étape 3 (ci-dessus) est terminée.

Vous trouverez des conseils de dépannage et les pièces de réparations sur le site www.americanstandard-us.com

* Lestoil® est une marque de commerce enregistrée de la société Clorox.
Lysol® est une marque de commerce enregistrée de la société Linden.
Windex® est une marque de commerce enregistrée de S.C. Johnson and Son, Inc.
Monsieur Net® est une marque de commerce enregistrée de la société Proctor and Gamble.
Dow® est une marque de commerce enregistrée de la société Dow Chemical.

Garantie à vie limitée AS America, Inc. Limitée pour baignoires à jets d'air en acrylique de première qualité

AS America, Inc. (« American Standard ») garantit à l'acheteur consommateur original qu'elle, à sa discrétion, réparera ou remplacera cette baignoire à remous/à air ou une des pièces jugée par American Standard, comme étant défectueuse aux fins d'utilisation domestique et d'entretien pour la durée qu'elle demeure la propriété de l'acheteur consommateur original.

Afin de mettre cette garantie en vigueur, vous devez faire parvenir la carte d'enregistrement de garantie remplie à l'attention de American Standard, prouvant l'achat.

Cette garantie ne s'applique pas aux installations commerciales.

CETTE GARANTIE DEVIENDRA NULLE SI LE PANNEAU D'ACCÈS À LA BAIGNOIRE À REMOUS/À AIR EST COUVERT CONTRAIREMENT AUX DIRECTIVES D'INSTALLATION. En aucun cas, American Standard ne pourra être tenue responsable des frais de réparation ou de remplacement de matériel d'installation, y compris mais non limité à, carrelage, marbre, etc.

Cette garantie limitée NE COUVRE PAS ce qui suit :

1. Les défauts ou les dommages subis pendant le transport, l'installation, une modification, un accident, un abus, une mauvaise utilisation, un manque d'entretien et de nettoyage adéquat comme spécifié dans le manuel de directives d'opération et d'entretien de l'utilisateur ainsi que l'utilisation de pièces de rechange autres que les pièces d'origine American Standard, dans tous les cas, causés soit par un plombier, une entreprise d'entretien, le propriétaire ou toute autre personne.
2. Détérioration causée par l'usure normale et les frais d'entretien normal.
3. Applications commerciales.
4. Options et accessoires. La garantie limitée de American Standard pour ces articles est d'une année sur les pièces uniquement et exclus la main-d'œuvre. Cette garantie limitée d'une année couvre les accessoires fabriqués par American Standard (p. ex. tablier, drains, barres d'appui, trousse de garnitures) contre tout défaut de matériel et de fabrication. La couverture de la garantie entre en vigueur le jour de l'achat original de l'accessoire par l'acheteur.
5. Les frais de poste et de transport pour le renvoi des articles à réparer ou à remplacer conformément à la présente garantie limitée, ainsi que la main-d'œuvre et autres frais encourus en rapport avec l'enlèvement et l'installation conformément à la présente garantie limitée.
6. **CETTE GARANTIE LIMITÉE NE COUVRE PAS DE RESPONSABILITÉ POUR DES DOMMAGES CONSÉCUTIFS OU SECONDAIRES, QUI SONT PAR LA PRÉSENTE, DÉSAVOUÉS, NI L'EXTENSION DE CETTE GARANTIE LIMITÉE À TOUTES GARANTIES IMPLICITES, Y COMPRIS DE VALEUR MARCHANDE OU DE CONFORMITÉ POUR UN USAGE PRÉVU.** (Certaines juridictions ne permettent pas de limitation sur la durée d'une garantie implicite, ni l'exclusion ou la limite de dommages secondaires ou consécutifs, dans de tels cas, ces limites et exclusions peuvent ne pas s'appliquer à vous.)
7. La responsabilité de conformité aux codes du bâtiment locaux. (Puisque les codes de la construction locaux varient considérablement, les distributeurs, détaillants, concessionnaires, entrepreneurs en installation et utilisateurs d'articles de plomberie doivent déterminer s'il existe des restrictions concernant l'installation ou l'utilisation d'un produit en particulier.)

Cette garantie limitée vous donne des droits juridiques spécifiques. Vous pouvez en avoir d'autres qui varient d'un état ou d'une province à l'autre. Pour obtenir le service offert sous cette garantie, vous devez communiquer avec :

Aux États-Unis:

American Standard Brands
1 Centennial Ave
Piscataway, New Jersey 08854
Attention: Directeur du Service à la clientèle
Les résidents des États-Unis peuvent aussi obtenir des informations à propos de la garantie en composant le numéro sans frais (800) 442-1902
www.americanstandard.com

Au Canada:

LIXIL Canada, ULC
5900 Avebury Rd.
Mississauga, Ontario
Canada L5R 3M3
Sans frais: (800) 387-0369
www.americanstandard.ca

Au Mexique :

American Standard B&K Mexique
S. de R.L. de C.V.
Via Morelos n° 330
Col. Santa Clara
Ecatepec 55540 Edo. Mexique
Sans frais: 01-800-839-1200
www.americanstandard.com.mx