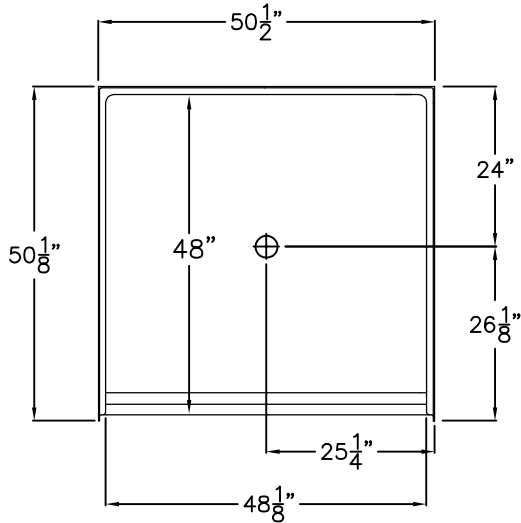


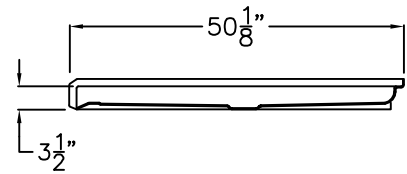
Comfort Series

SUBMITTAL DATA

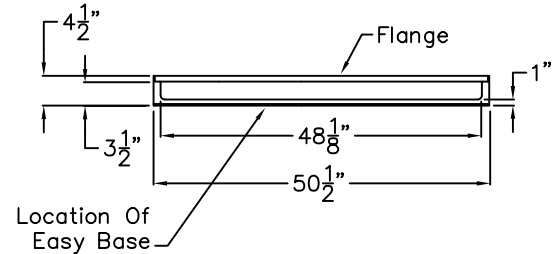
TOP VIEW



SIDE VIEW



FRONT VIEW



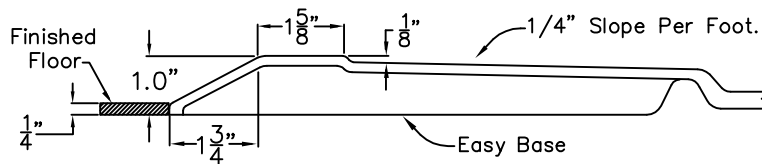
Shower Pan

This shower pan shall be Aquarius Model MPB 5050 BF 1.0 center drain. Finished surface shall be of sanitary-grade applied acrylic. The unit shall have outside dimensions of 50 1/2" x 50 1/8" x 4 1/2". The unit shall meet IAPMO Z124-2011, and CSA B45.5-11.

The enclosure shall be equipped with the following factory installed accessories:

- 1) Center drain location,
- 2) Factory installed Easy Base self sustaining bottom,
- 3) 1.0" change of level threshold.

Detail of 1.0" Threshold



DUE TO THE NATURE OF THE MATERIALS INVOLVED
UNIT DIMENSIONS MAY VARY ± 1/2 INCH

Job Name:

AQUARIUS

Approved by Print Name:

Drawing#: MPB 5050 BF 1.0 PAN

Approved by Signature:

Date:

Date: 3-31-09

Revised: 11-14-16

Rep.:

Wholesaler:

Quote No.

PRAXIS INDUSTRIES, INC.
ROUTE 1, BOX 46D - SAVANNAH, TN 38372
1 (800) 443-7269 - FAX (901) 925-4290