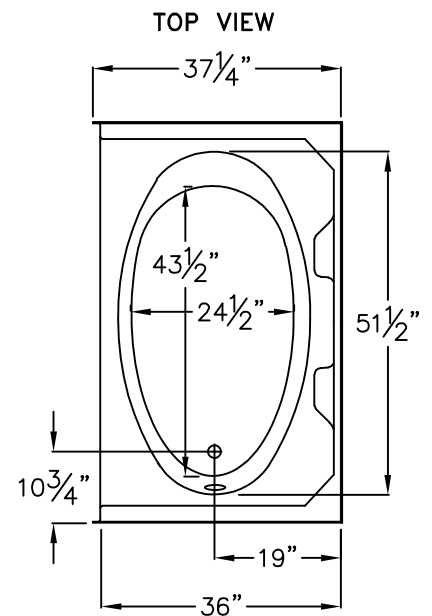
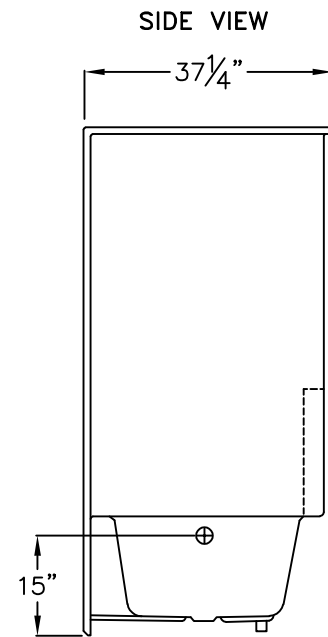
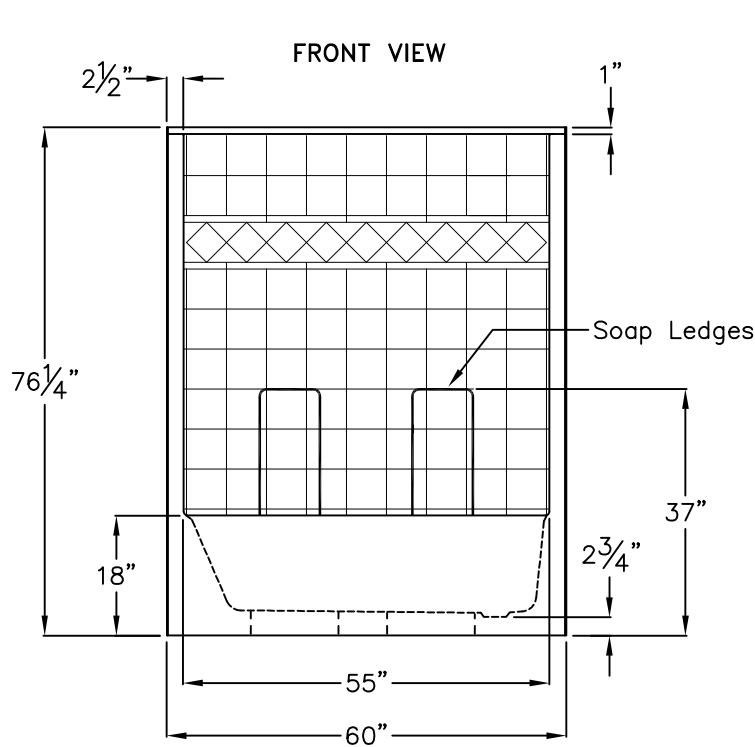


# Luxury Acrylic Series

## SUBMITTAL DATA



DUE TO THE NATURE OF THE MATERIALS  
 DIMENSIONS MAY VARY ± 1/2"

**Simulated Tile Tub Shower**  
 This shower enclosure shall be Model M 6037 TS TILE right or left. Finished surface shall be of sanitary-grade applied acrylic. The unit shall have outside dimensions of 60" x 37 1/4" x 76 1/4". The unit shall meet IAPMO Z124-2011, and CSA B45.5-11.  
 The enclosure shall be equipped with the following factory installed accessories:  
 1) Molded soap ledges,  
 2) Tile finish,  
 3) Diamond accents,  
 4) Left or right drain location.

Job Name:	<b>PRAXIS</b>	
Approved By Signature:	Drawing: M 6037 TS Tile	
Approved By Print Name:	Date:	Date: 7-2-02      Revised: 4-4-17
Rep.:	Wholesaler:	Quote No.:

PRAXIS INDUSTRIES, LLC.  
 435 INDUSTRIAL RD - SAVANNAH, TN 38372  
 1 (800) 443-7269 - FAX (731) 925-4290