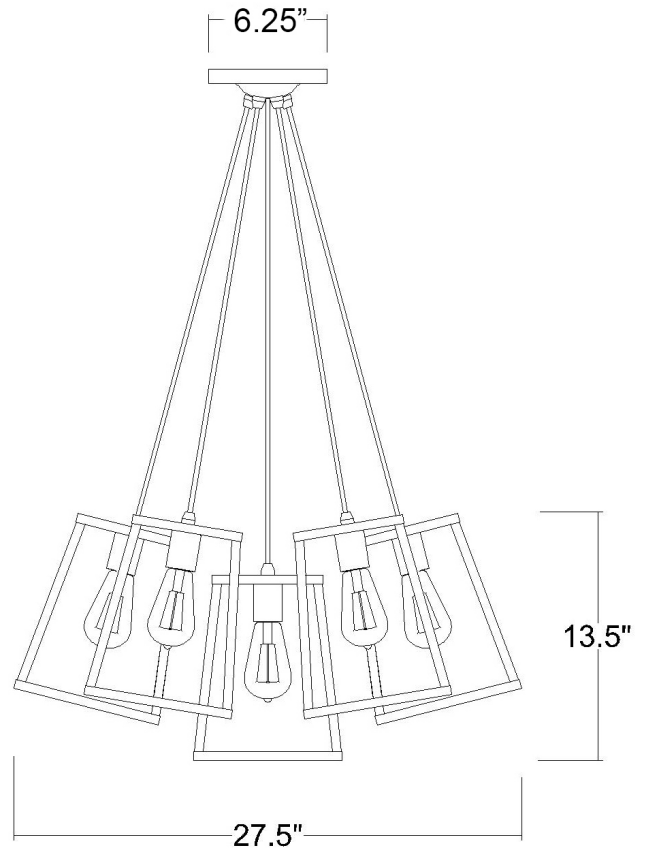


# IN31383ORB

## TIBERTON 5-LIGHT PENDANT



<b>Description:</b>	Tiberton 5-Light Pendant
<b>Finish:</b>	Oil Rubbed Bronze
<b>Dimensions:</b>	27-1/2" W x 16" D x 13-1/2" H
<b>Bulbs:</b>	5-60W Med.
<b>Installed Weight:</b>	11.7 lbs.
<b>Certification:</b>	cETL / damp location

<b>Material:</b>	Steel
<b>Shades:</b>	NA
<b>Glass:</b>	NA
<b>Canopy Dimensions:</b>	6-1/4" Dia.
<b>Chain/Wire:</b>	5 - 12' Wire
<b>Additional Finishes:</b>	NA