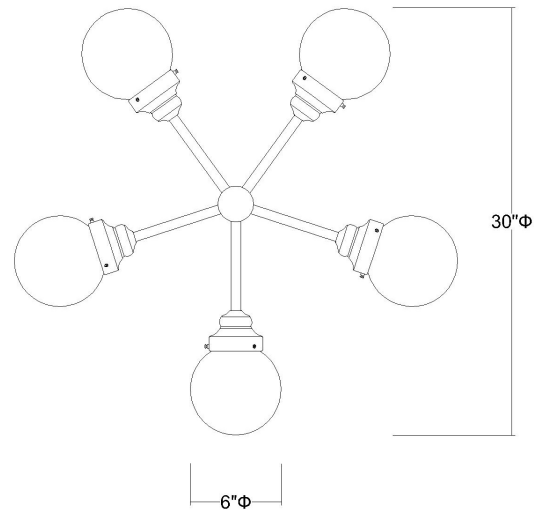
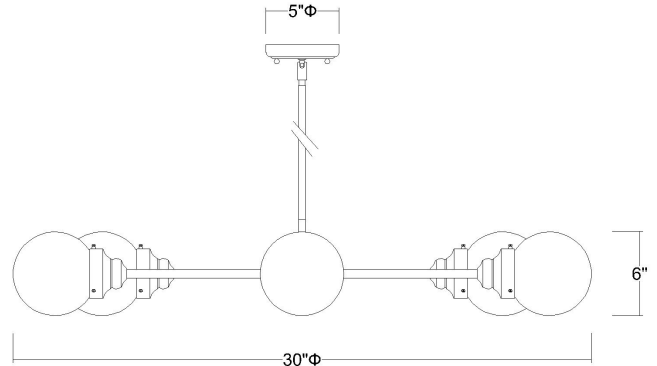


IN21223PN

PORTSMITH 5-LIGHT CHANDELIER



Description:	Portsmouth 5-Light Chandelier
Finish:	Polished Nickel
Dimensions:	30" Dia. x 6" H
Bulbs:	5-60W Med.
Installed Weight:	6 lbs.
Certification:	cETL / dry location

Material:	Steel and glass
Shades:	NA
Glass:	Clear
Canopy Dimensions:	5" Dia.
Chain/Wire:	12' Wire
Stems:	3-12", 1-6", 1-3"
Additional Finishes:	RB