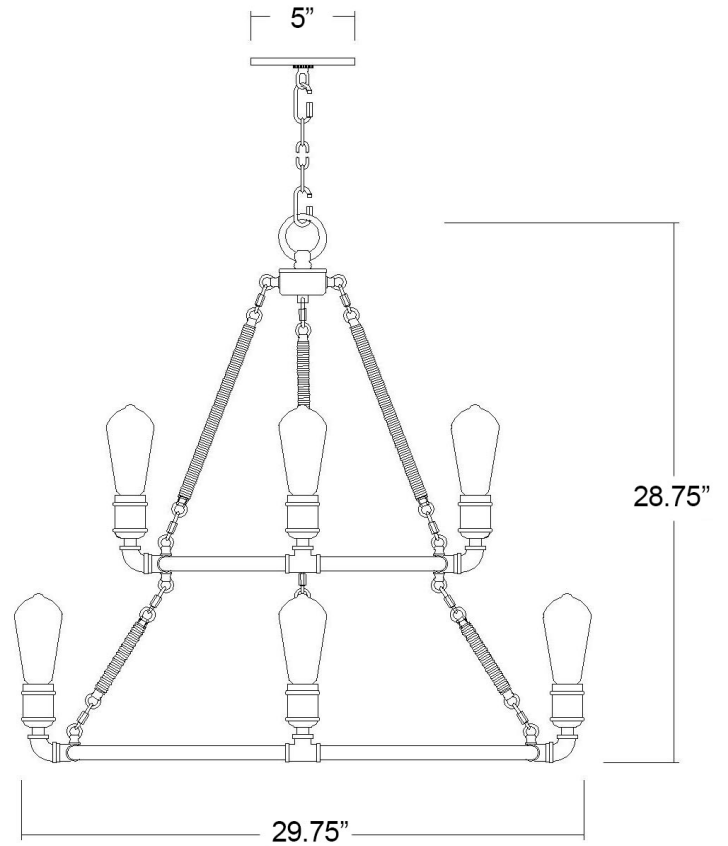


IN11326AGY GRAYSON 9-LIGHT CHANDELIER



Description:	Grayson 9-Light Chandelier
Finish:	Antique Gray
Dimensions:	29-3/4" Dia. x 28-3/4" H
Bulbs:	9-60W Med.
Installed Weight:	10.5 lbs.
Certification:	cUL / dry location

Material:	Steel and rope
Shades:	NA
Glass:	NA
Canopy Dimensions:	5" Dia.
Chain/Wire:	5' Chain, 12' Wire
Additional Finishes:	NA