

Model No :: **20075LEDD-SILV/ACR**
 Name :: Ulko Exterior



Project Name :: _____
 Location :: _____
 Type :: _____
 Quantity :: _____
 Notes :: _____

Product Information

Product ID :: 20075
 UPC Code :: 641594224597
 Mounting Type :: Ceiling
 Finish :: Silver (SILV)
 Diffuser :: Acrylic Lens (ACR)
 Alt. Finishes :: Bronze (BRZ); Silver (SILV); White (WH)
 Alt. Diffusers :: Acrylic Lens (ACR)

Product Dimensions

Fixture	Canopy
Length :: 7"	Length :: N/A
Width :: 7"	Width :: N/A
Diameter :: N/A	Diameter :: N/A
Extension :: N/A	Height :: N/A
Height :: 1"	
Overall Height :: N/A	



Technical Specifications

Qualifications

Location Rating :: Wet
 Certification :: ETL Listed (US/Canada)
 IES File ::
 JA8 Compliant :: Yes
 Energy Star :: No
 ADA Compliant :: No
 Marine Grade :: No
 Emergency Lighting :: No
 Warranty :: 5 Year Limited

Specifications

Frame Material :: Acrylic
 Diffuser Material :: Acrylic
 Voltage :: 120v
 Lamping Type :: Dedicated LED
 Lamping Base :: SSL
 Lamp Quantity :: 1
 Lamp Wattage :: 15 W
 Total Wattage :: 15w
 Lamps Included :: Yes
 J-Box Type :: Standard

Photometrics

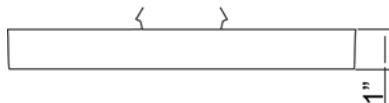
CCT :: 3000
 CRI :: 90
 Wattage :: 15w
 Nominal Lumens :: 1300Lm
 Delivered Lumens :: 1134Lm

Recommended Dimmers

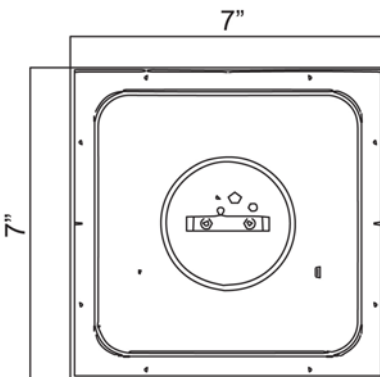
(ELV) LUTRON Skylark SELV-300P; (MLV) LUTRON Diva DVLV-600P; (TRIAC) LEVITON Decora Sureslide 6674; (TRIAC) LEVITON Surslide 6631; (TRIAC) LEVITON Trimatron 6684; (TRIAC) LUTRON Diva DV-600P; (TRIAC) LUTRON Diva DVCL-153P

Additional Items :: 0

Line Drawing #1



Line Drawing #2



IES File

Image Not Available

Toll Free 800-828-5483 • www.AccessLighting.com

14410 Myford Road, Irvine, CA 92606

The information provided is subject to change without notice. ©2020 Access Lighting Corporation. All Rights Reserved
 Rev. 202004 Filename:: 20075LEDD-SILV_ACR.pdf

